

PTC HEATER

HGK 047 | 10 - 30 W



- > Compact size
- > Heating power adjusts to ambient temperature

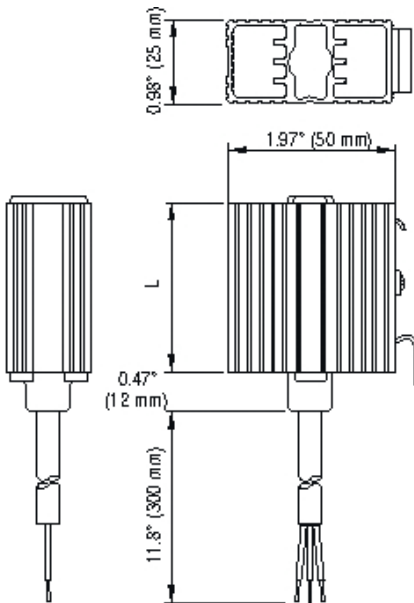
- > DIN rail mountable
- > Wide voltage range

The HGK 047 heaters are used in enclosures to maintain minimum operating temperatures and to help prevent failure of electronic components caused by condensation and corrosion.

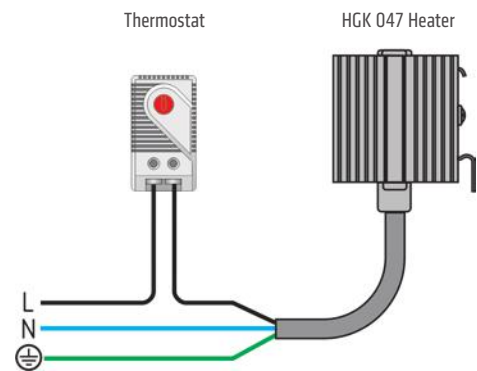


TECHNICAL DATA

Operating voltage	see table below
Heating element	PTC resistor - temperature limiting
Heater body	extruded aluminum profile, anodized
Connection	3 x AWG 20 (0.5 mm ²), 12" (300 mm) length
Mounting	clip for 35 mm DIN rail, EN 60715
Mounting position	vertical
Operating / Storage temperature	-49 to +158 °F (-45 to +70 °C)
Operating / Storage humidity	max. 90 %RH (non-condensing)
Protection class / Protection type	I (grounded) / IP44



Wiring example



Part No.	Heating capacity ¹	Operating voltage ²	Max. current (inrush)	Length (L)	Weight (approx.)	Approvals
04700.0-00	10 W	AC/DC 140-240 V	1.0 A	2.05" (52 mm)	3.0 oz. (85 g)	VDE GOST-R
04701.0-00	20 W	AC/DC 140-240 V	2.5 A	2.36" (60 mm)	3.6 oz. (100 g)	VDE GOST-R
04702.0-00	30 W	AC/DC 140-240 V	3.0 A	2.76" (70 mm)	4.0 oz. (110 g)	VDE GOST-R
04700.9-00	10 W	AC/DC 110-120 V	1.0 A	2.05" (52 mm)	3.0 oz. (85 g)	UL File No. E234324 GOST-R
04701.9-00	20 W	AC/DC 110-120 V	1.5 A	2.76" (70 mm)	4.0 oz. (110 g)	UL File No. E234324 GOST-R
04702.9-00	30 W	AC/DC 110-120 V	1.5 A	3.94" (100 mm)	5.2 oz. (150 g)	UL File No. E234324 GOST-R

¹ at 68°F (20°C) ambient temperature; ² operating high voltage heaters below AC/DC 140 V reduces heating performance by approx. 10% (min. 110 V, max 265 V).