

Stainless Steel Enviroline® Series Two-Door Disconnect Enclosures

Application -

Designed to house most standard type disconnects. For outdoor application a drip shield is recommended. For installation information, consult our Installation Manual at www.saginawcontrol.com.

Construction -

- 0.104" stainless steel Type 304 & 316/316L.
- Seams continuously welded and ground smooth.
- Oil-resistant gasket.
- Flange trough collar around all sides of door opening.
- Stainless steel concealed hinges.
- Removable and interchangeable doors.
- 3-point latching mechanism.
- Black quarter turn latches as required.
- Removable print pocket on main door of disconnect enclosures.
- Lifting eyes for easy handling.
- Ground studs on door and body.
- Collar studs provided for mounting optional sub-panels.
- 15" removable floor stands.
- Removable center post.
- Mechanical interlock.
- No door stiffeners required.
- Black zinc die cast coinproof/padlocking handle on main door of disconnect enclosures.
- Black zinc die cast padlocking handle on all other doors.
- Provisions for light kit.

Disconnect switch (or circuit breaker) and operating mechanism are not furnished with this enclosure.

Finish -

#4 brushed finish on all exterior surfaces. Optional sub-panels powder coated white.

IS6 - Industry Standards -

NEMA Type 3R, 4, 4X, 12 & Type 13
UL Listed Type 3R, 4, 4X & 12
CSA Type 3R, 4, 4X & 12
IEC 60529 IP66

***Special Instructions apply for IS3, IS4 and IS6 to maintain the environmental rating of Type 3R for these parts. See the Special Instructions on the Industry Standards page in the Technical Information Section.

304 STAINLESS STEEL ENVIROLINE® SERIES TWO-DOOR ENCLOSURES FOR FLANGE-MOUNTED DISCONNECTS

ENCLOSURE PRODUCT CODE S4						SUB-PANEL (P3)			
Catalog No.	Height (A)	Width (B)	Depth (C)	Industry Standard	List Price	Catalog No.	Panel Height (E)	Panel Width (F)	List Price
SCE-60XEL4912SSLP	60.00	49.00	12.00	IS6	8,096.67	SCE-60P48	56.00	44.00	268.38
SCE-60XEL4918SSLP	60.00	49.00	18.00	IS6	8,820.15	SCE-60P48	56.00	44.00	268.38
SCE-60XEL6112SSLP	60.00	61.00	12.00	IS6	9,053.63	SCE-60P60	56.00	56.00	331.68
SCE-60XEL6118SSLP	60.00	61.00	18.00	IS6	9,859.88	SCE-60P60	56.00	56.00	331.68
SCE-72XEL6112SSLP	72.00	61.00	12.00	IS6	10,028.21	SCE-72P60	68.00	56.00	394.98
SCE-72XEL6118SSLP	72.00	61.00	18.00	IS6	10,894.21	SCE-72P60	68.00	56.00	394.98
SCE-72XEL7312SSLP	72.00	73.00	12.00	IS6	11,138.52	SCE-72P72	68.00	68.00	470.93
SCE-72XEL7318SSLP	72.00	73.00	18.00	IS6	11,571.56	SCE-72P72	68.00	68.00	470.93
SCE-72XEL7324SSLP	72.00	73.00	24.00	IS6	12,099.53	SCE-72P72	68.00	68.00	470.93

316 STAINLESS STEEL ENVIROLINE® SERIES TWO-DOOR ENCLOSURES FOR FLANGE-MOUNTED DISCONNECTS

ENCLOSURE PRODUCT CODE S7						SUB-PANEL (P3)			
Catalog No.	Height (A)	Width (B)	Depth (C)	Industry Standard	List Price	Catalog No.	Panel Height (E)	Panel Width (F)	List Price
SCE-60XEL4912SS6LP	60.00	49.00	12.00	IS6	9,716.01	SCE-60P48	56.00	44.00	268.38
SCE-60XEL4918SS6LP	60.00	49.00	18.00	IS6	10,584.18	SCE-60P48	56.00	44.00	268.38
SCE-60XEL6112SS6LP	60.00	61.00	12.00	IS6	10,864.35	SCE-60P60	56.00	56.00	331.68
SCE-60XEL6118SS6LP	60.00	61.00	18.00	IS6	11,831.85	SCE-60P60	56.00	56.00	331.68
SCE-72XEL6112SS6LP	72.00	61.00	12.00	IS6	12,033.85	SCE-72P60	68.00	56.00	394.98
SCE-72XEL6118SS6LP	72.00	61.00	18.00	IS6	13,073.05	SCE-72P60	68.00	56.00	394.98
SCE-72XEL7312SS6LP	72.00	73.00	12.00	IS6	13,366.23	SCE-72P72	68.00	68.00	470.93
SCE-72XEL7318SS6LP	72.00	73.00	18.00	IS6	13,849.87	SCE-72P72	68.00	68.00	470.93
SCE-72XEL7324SS6LP	72.00	73.00	24.00	IS6	14,519.44	SCE-72P72	68.00	68.00	470.93

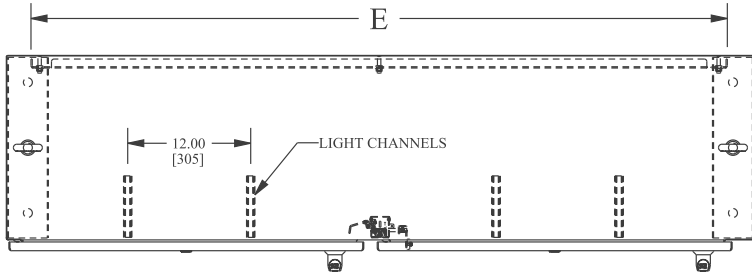


Phone (989) 799-6871
Fax (989) 799-4524



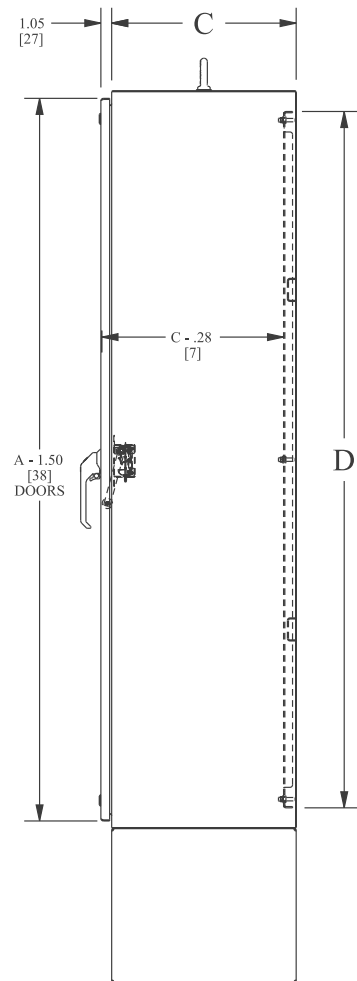
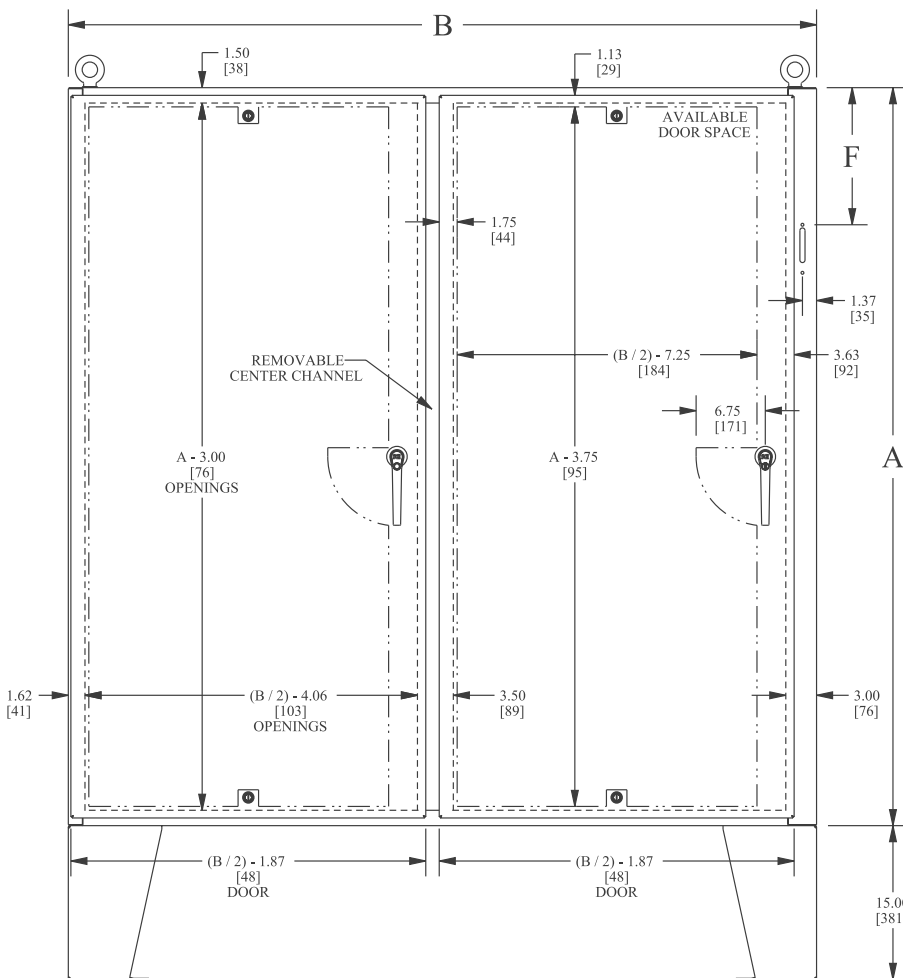
STAINLESS STEEL ENVIROLINE® SERIES TWO-DOOR ENCLOSURES FOR FLANGE-MOUNTED DISCONNECTS

TECHNICAL DATA



DISCONNECT NOTES:
 F = 7.88 [200] when A = 60.00 [1524]
 F = 13.38 [340] when A = 72.00 [1829]

LATCH NOTES:
 "EL" part numbers with doors ≥ 30.00 [762] in width have additional latch centered top and bottom of door.



Phone (989) 799-6871
 Fax (989) 799-4524

- 1 Operator System Enclosures
- 2 Wall-Mount Enclosures
- 3 Free-Standing & Floor-Mounted Enclosures
- 4 Modular Enclosures
- 5 Operator System Enclosures (Stainless Steel)
- 6 Wall-Mount Enclosures (Stainless Steel)
- 7 Free-Standing & Floor-Mounted Enclosures (Stainless Steel)
- 8 Non-Metallic Enclosures
- 9 Accessories
- 10 Technical Information
- 11 Index