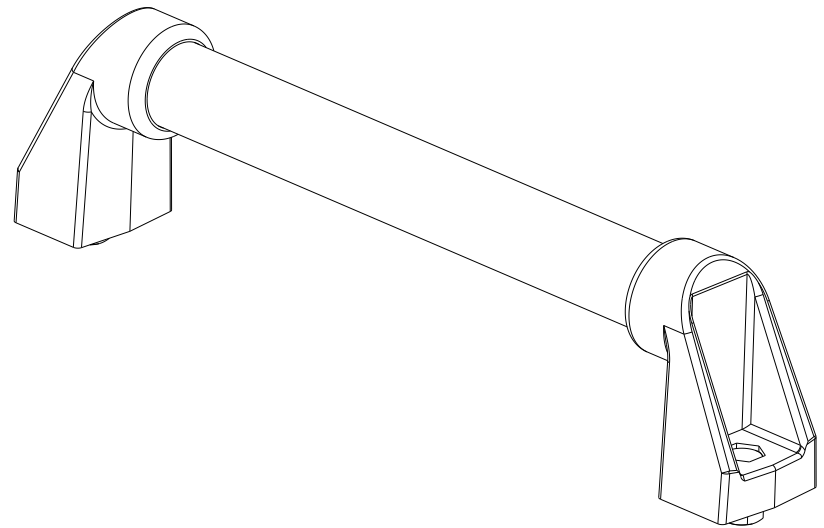
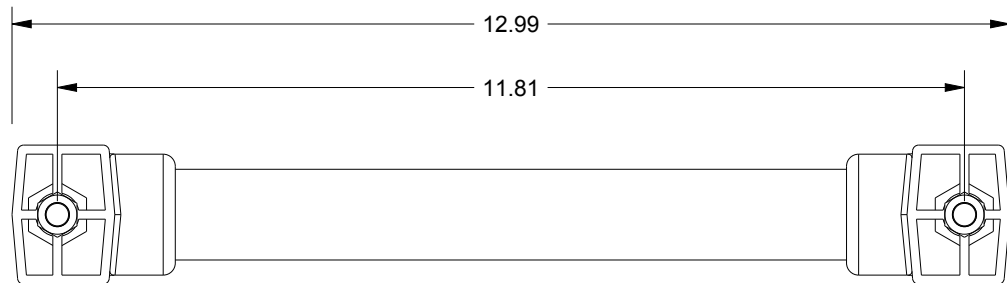
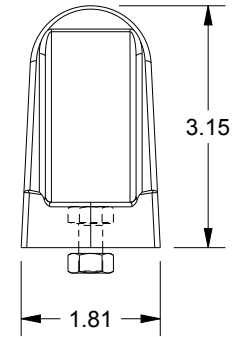
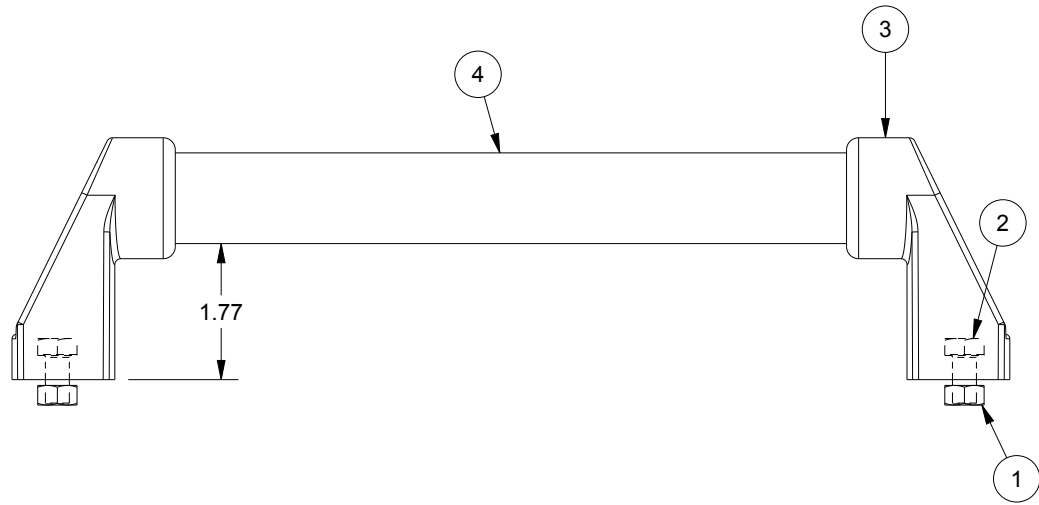


SAGINAW CONTROL & ENGINEERING SCE-UHK13, PULL HANDLE



BILL OF MATERIAL

ITEM	SHIPS LOOSE	QTY	PART DESCRIPTION	PART I.D.
1		2	Nut, Hex Full, M8x1.25, Steel, Zinc Clear	103256
2		2	Screw, Hex Head, Full Thread, M8x1.25 X 16MM, Steel, Zinc	107253
3		2	Handle, End Stay, Plastic, used in 101684	NA
4		1	Handle, Tube, Steel, used in 101684	NA