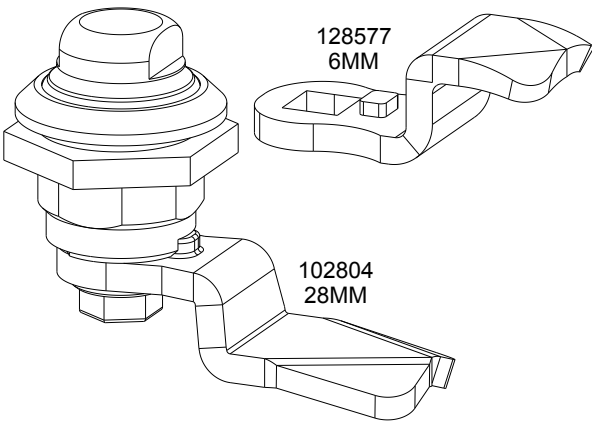
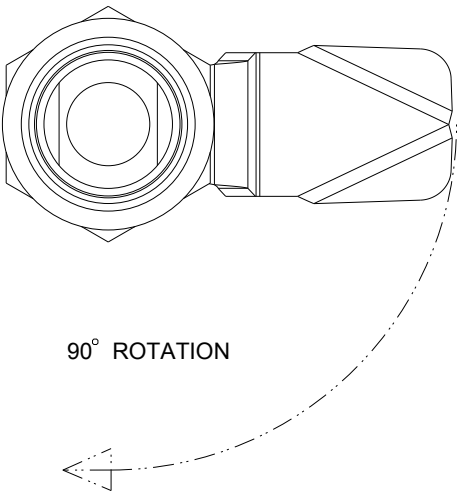
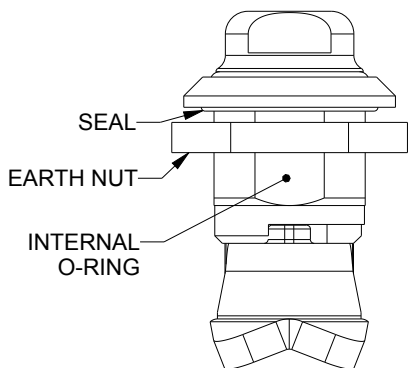
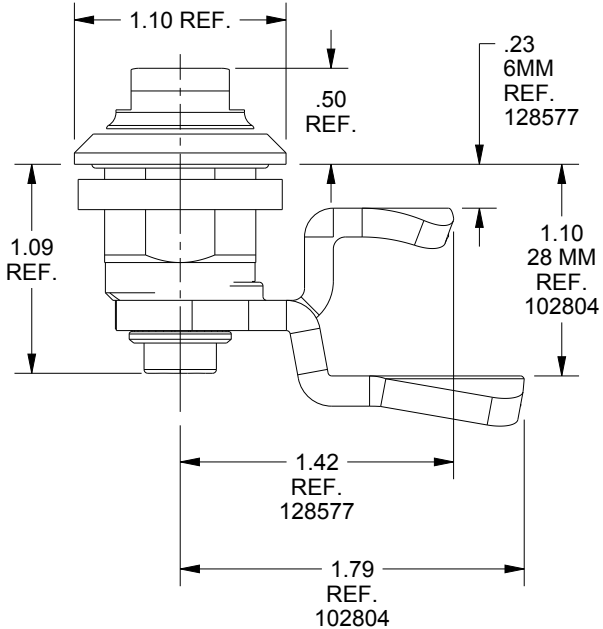


# SAGINAW CONTROL & ENGINEERING

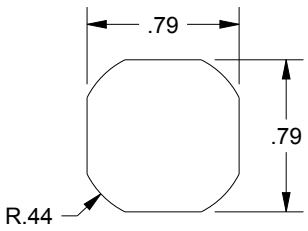
## SCE-SSQT



EXTERNAL CAM STOP  
IS REQUIRED



TO MAINTAIN TYPE  
3, 3R, 4, 4X & 12



CUTOUT DETAIL

DESCRIPTION:  
QUARTER TURN, SANITARY, EXTERNAL CAM STOP,  
28MM AND 6MM CAM INCLUDED. STAINLESS STEEL TYPE 304