

SERIES 14 SINGLE-DOOR CONSOLES

Application

Designed for electronic controls and instruments. Equipment can be mounted on the sloping control panel door. Interior components mount to stationary panels. Heavy duty construction provides protection from dirt, oil, dust, and water. For installation information, consult our Installation Manual at www.saginawcontrol.com.

Construction

- 0.104" carbon steel.
- Sloping control panel door attached with concealed hinge on bottom edge. Door opens to 90 degree.
- Black zinc die cast keylocking/padlocking handles on front and rear doors.
- 3-point latching mechanism.
- Seams continuously welded and ground smooth.
- Pour in place oil and water resistant gasket on door.
- Optional equipment mounts to horizontal channels welded to sides.
- Optional writing desk and top section available.
- Interior print pocket.
- Removable eyebolts in console body.
- Ground stud on door and body.
- Hole plugs provided to seal holes in bottom of enclosure.

Finish

ANSI-61 gray powder coated inside and out. Optional panels are powder coated white.

IS3 Industry Standards

- NEMA Type 3R, 12 & Type 13
- UL Listed Type 3R & 12
- CSA Type 3R & 12
- IEC 60529 IP55

***To maintain Type 3R listing, Drainage is required. Install equally rated drainage device or drill a 1/8 to 1/4 inch hole in the bottom center of the enclosure, approximately 1 inch from the right, and 1 inch from the left for drainage, use listed rain-tight or wet location hubs.



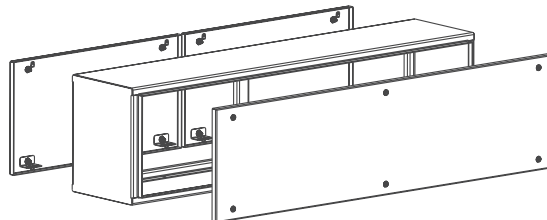
24

SERIES 14 SINGLE-DOOR CONSOLES - 24" WIDE

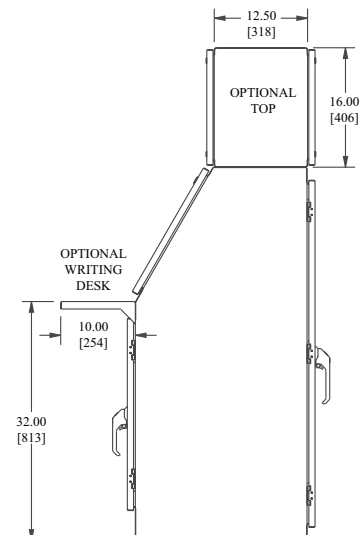
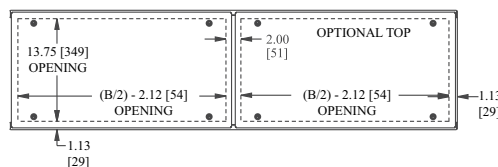
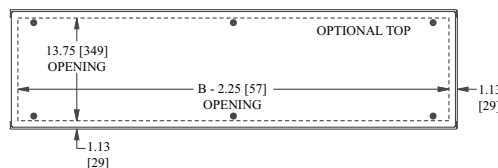
Catalog No.	Description	Enclosures				
		Height (A)	Width (B)	Depth (C)	Product Code	Industry Standard
SCE-14B	Console Body	50.00	24.00	23.00	C1	IS3
SCE-14T	Console Top	16.00	24.00	12.50	C1	IS1
SCE-14P1	Swing-Out Panel	22.00	18.12		P2	IS1
SCE-14P2	Half Panel	22.00	17.00		P3	IS1
SCE-14P3	Full Panel	42.25	17.00		P3	IS1
SCE-14R	Rack Angles	29.00 High	(set of 2)		P2	IS1
SCE-14W	Writing Desk	24.00	10.00		P2	IS1

SERIES 14 SINGLE-DOOR CONSOLES - 36" WIDE

Catalog No.	Description	Enclosures				
		Height (A)	Width (B)	Depth (C)	Product Code	Industry Standard
SCE-1436B	Console Body	50.00	36.00	23.00	C1	IS3
SCE-1436T	Console Top	16.00	36.00	12.50	C1	IS1
SCE-1436P1	Swing-Out Panel	22.00	30.12		P2	IS1
SCE-1436P2	Half Panel	22.00	29.00		P3	IS1
SCE-1436P3	Full Panel	42.25	29.00		P3	IS1
SCE-1436W	Writing Desk	36.00	10.00		P2	IS1



- OPTIONAL TOP NOTES:
1. SINGLE FRONT & SINGLE REAR ACCESS PANEL ON ENCLOSURES < 48.00 [1219] WIDE.
 2. SINGLE FRONT & TWO REAR ACCESS PANELS ON 48.00 [1219] & 60.00 [1524] WIDE
 3. TWO FRONT & TWO REAR ACCESS PANELS ON 72.00 [1829] WIDE.



SERIES I4 TWO-DOOR CONSOLES

Application

Designed for electronic controls and instruments. Equipment can be mounted on the sloping control panel door. Interior components mount to stationary panels. Heavy duty construction provides protection from dirt, oil, dust, and water. For installation information, consult our Installation Manual at www.saginawcontrol.com.

Construction

- 0.104" carbon steel.
- Sloping control panel door attached with concealed hinge on bottom edge. Door opens to 90 degree.
- Black zinc die cast keylocking/padlocking handles on front and rear doors.
- 3-point latching mechanism.
- Seams continuously welded and ground smooth.
- Pour in place oil and water resistant gasket on door.
- Optional equipment mounts to horizontal channels welded to sides.
- Optional writing desk and top section available.
- Interior print pocket.
- Removable eyebolts in console body.
- Ground stud on door and body.
- Hole plugs provided to seal holes in bottom of enclosure.

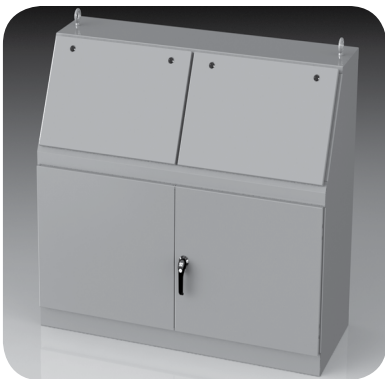
Finish

ANSI-61 gray powder coated inside and out.
Optional panels are powder coated white.

IS3 Industry Standards

NEMA Type 3R, 12 & Type 13
UL Listed Type 3R & 12
CSA Type 3R & 12
IEC 60529 IP55

***To maintain Type 3R listing, Drainage is required. Install equally rated drainage device or drill a 1/8 to 1/4 inch hole in the bottom center of the enclosure, approximately 1 inch from the right, and 1 inch from the left for drainage, use listed rain-tight or wet location hubs.



26

SERIES I4 TWO-DOOR CONSOLES - 48" WIDE

Catalog No.	Description	Enclosures				
		Height (A)	Width (B)	Depth (C)	Product Code	Industry Standard
SCE-1448BD	Console Body	50.00	48.00	23.00	C1	IS3
SCE-1448T	Console Top	16.00	48.00	12.50	C1	IS1
SCE-1448P2	Half Panel	22.00	41.00		P3	IS1
SCE-1448P3	Full Panel	42.25	41.00		P3	IS1
SCE-1448W	Writing Desk	48.00	10.00		P2	IS1

SERIES I4 TWO-DOOR CONSOLES - 60" WIDE

Catalog No.	Description	Enclosures				
		Height (A)	Width (B)	Depth (C)	Product Code	Industry Standard
SCE-1460BD	Console Body	50.00	60.00	23.00	C1	IS3
SCE-1460T	Console Top	16.00	60.00	12.50	C1	IS1
SCE-1460P2	Half Panel	22.00	53.00		P3	IS1
SCE-1460P3	Full Panel	42.25	53.00		P3	IS1

SERIES I4 TWO-DOOR CONSOLES - 72" WIDE

Catalog No.	Description	Enclosures				
		Height (A)	Width (B)	Depth (C)	Product Code	Industry Standard
SCE-1472BD	Console Body	50.00	72.00	23.00	C1	IS3
SCE-1472T	Console Top	16.00	72.00	12.50	C1	IS1
SCE-1472P3	Full Panel	42.25	65.00		P3	IS1
SCE-1472W	Writing Desk	72.00	10.00		P2	IS1