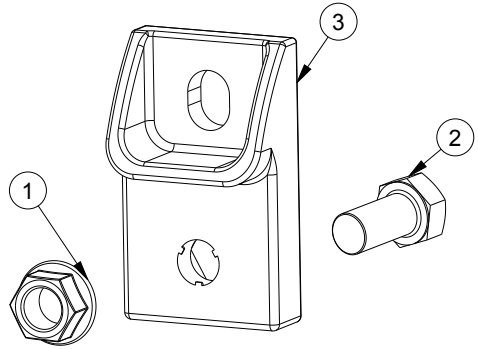
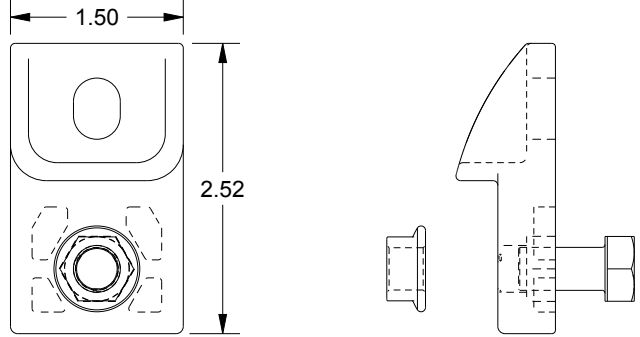
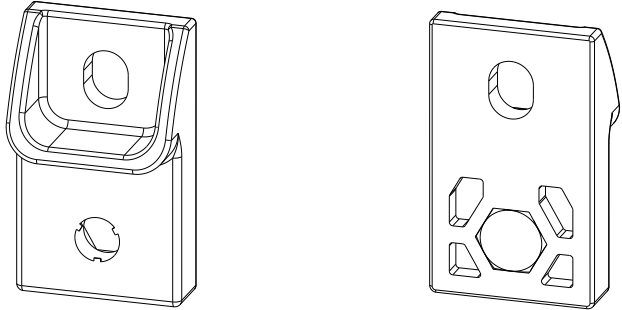
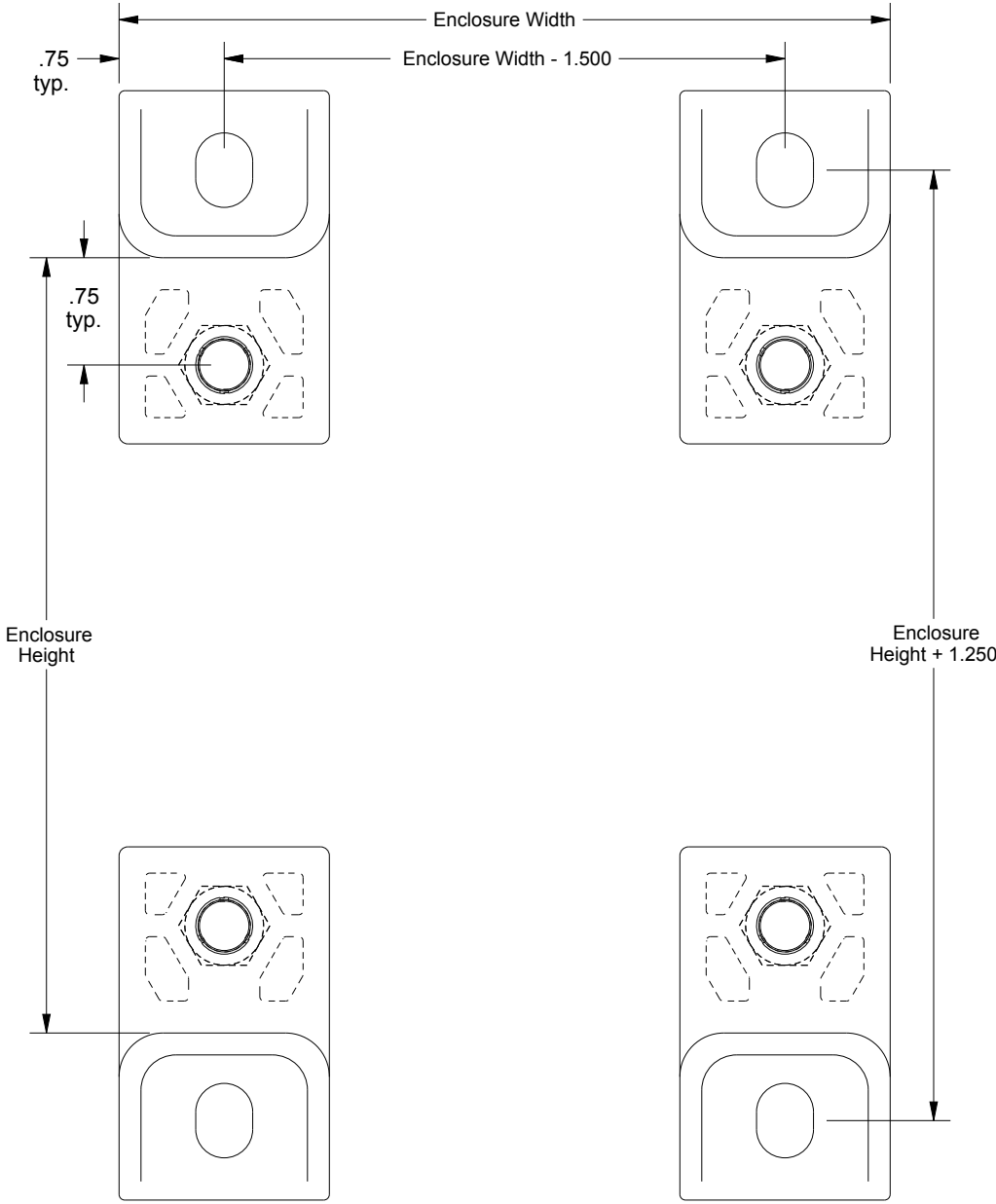


SAGINAW CONTROL & ENGINEERING

SCE-ELMFK4



SCE-ELMFK4
MOUNTING FOOT KIT FOR WALL-MOUNT
ENCLOSURES WITH FOUR MOUNTING HOLES

BILL OF MATERIAL

ITEM	SHIPS LOOSE	QTY	PART DESCRIPTION	PART I.D.
1		4	Nut, Serrated Flange, 3/8-16 Steel, Zinc Clear Plated	100904
2		4	Hex Head Cap Screw, Full Threaded 0.38-16 X 0.75 Stainless Steel	110206
3		4	Mounting Ear, 2.52 x 1.50 x 0.875, Polyamide 66, Black	111949