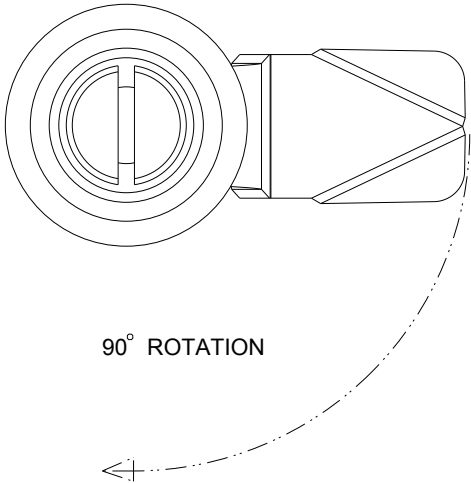
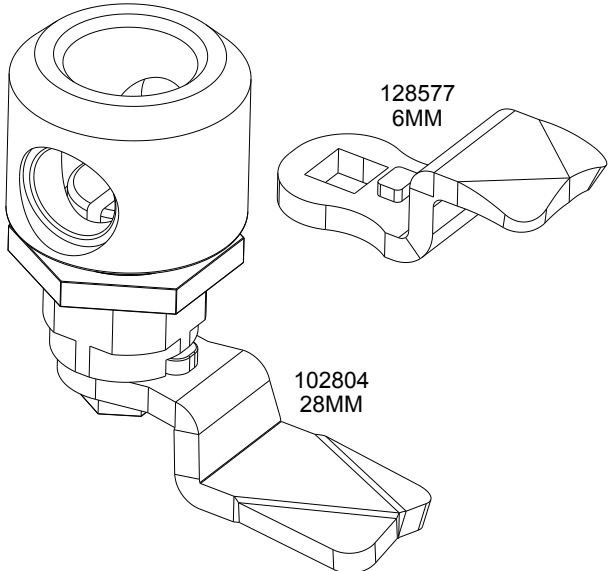


# SAGINAW CONTROL & ENGINEERING

## SCE-PLHG

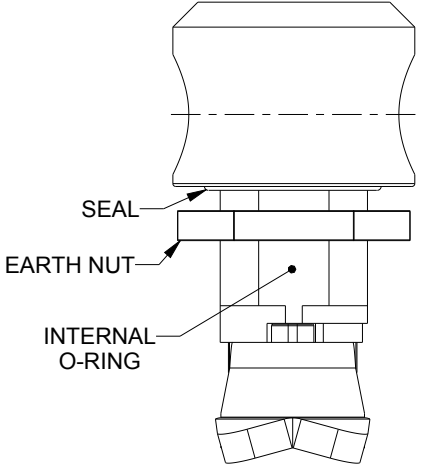
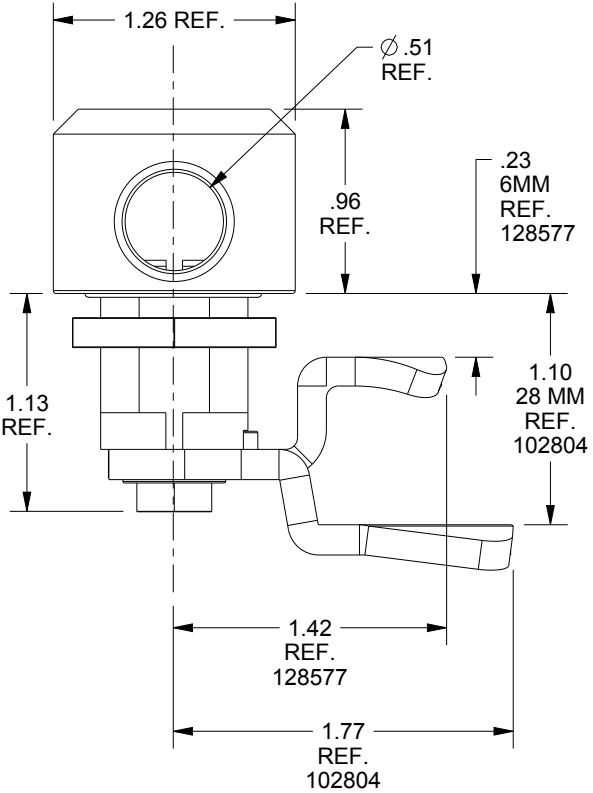


90° ROTATION



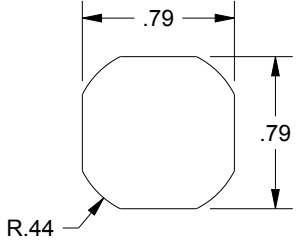
128577  
6MM

102804  
28MM



TO MAINTAIN TYPE  
3, 3R, 4, 4X & 12

EXTERNAL CAM STOP  
IS REQUIRED



CUTOUT DETAIL

DESCRIPTION:  
QUARTER TURN, SLOTTED INSERT, PADLOCK  
HOUSING, EXTERNAL CAM STOP, 28MM AND 6MM  
CAM INCLUDED. ZINC DIE CAST, BLACK TEXTURED.