

Polycarbonate Enclosures with Window

Application -

Designed for indoor or outdoor use to house electrical and electronic controls, instruments and components in areas that may be regularly hosed down or are in very wet conditions. Non-corrosive, UV resistant polycarbonate enclosure with clear covers. Provides protection from dust, dirt, oil and water. For installation information, consult our Installation Manual at www.saginawcontrol.com.

Construction -

- Impact Resistant Polycarbonate.
- Clear cover.
- Brass inserts for securing mounting feet.
- Polycarbonate external mounting feet included.
- Oil-resistant door gasket.
- Polycarbonate quick release latches.
- Polycarbonate hinges.
- Polycarbonate hasp and staple for padlocking.
- 10-32 standoffs provided for mounting optional panels.
- Multiple bosses for easy installation of devices and DIN rails.

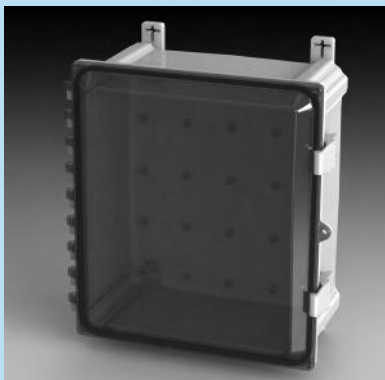
Finish -

RAL 7035 Light Gray Polycarbonate with clear cover

IS6 - Industry Standards -

NEMA Type 3R, 4, 4X, 12 & Type 13
UL Listed Type 3R, 4, 4X & 12
CSA Type 3R, 4, 4X & 12
IEC 60529 IP66

***Special Instructions apply for IS3, IS4 and IS6 to maintain the environmental rating of Type 3R for these parts. See the Special Instructions on the Industry Standards page in the Technical Information Section.



POLYCARBONATE ENCLOSURES WITH WINDOW

ENCLOSURE PRODUCT CODE F1

Catalog No.	Height (A)	Width (B)	Depth (C)	Industry Standard	List Price
SCE-606PCW	7.41	8.68	5.84	IS6	139.38
SCE-806PCW	9.41	8.68	5.86	IS6	144.63
SCE-1008PCW	11.41	10.68	6.36	IS6	176.19
SCE-1210PCW	13.40	12.68	7.86	IS6	194.64
SCE-1412PCW	15.40	14.68	7.86	IS6	268.28
SCE-1614PCW	17.65	16.68	9.98	IS6	326.73
SCE-1816PCW	19.41	18.68	11.90	IS6	407.00
SCE-2424PCW	25.40	26.68	11.41	IS6	1159.44

SUB-PANELS (F2)

Catalog No.	Panel Height (D)	Panel Width (E)	List Price
SCE-6P6	5.00	5.00	3.61
SCE-6P6AL	5.00	5.00	15.58
SCE-8P6	7.00	5.00	4.17
SCE-8P6AL	7.00	5.00	18.82
SCE-10P8	9.00	7.00	5.70
SCE-10P8AL	9.00	7.00	25.38
SCE-12P10	11.00	9.00	7.72
SCE-12P10AL	11.00	9.00	25.99
SCE-14P12	13.00	11.00	10.13
SCE-14P12AL	13.00	11.00	36.87
SCE-16P14	15.00	13.00	19.95
SCE-16P14AL	15.00	13.00	46.72
SCE-18P16PC	16.88	14.88	26.84
SCE-18P16AL	16.88	14.88	55.53
SCE-24P24PC	22.75	22.75	39.97
SCE-24P24PCAL	22.75	22.75	104.98

Phone (989) 799-6871
Fax (989) 799-4524

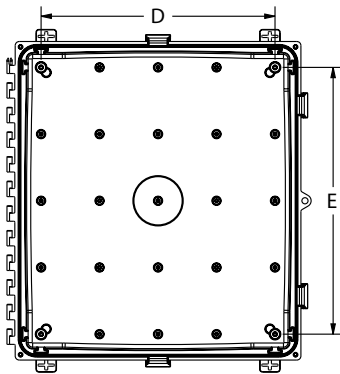
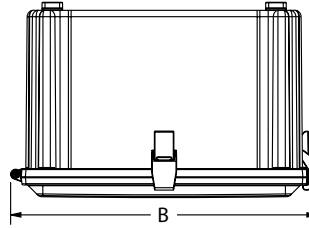


POLYCARBONATE ENCLOSURES WITH WINDOW

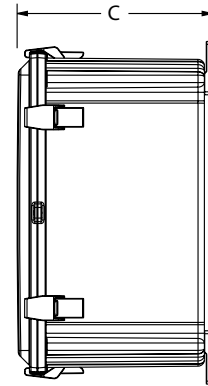
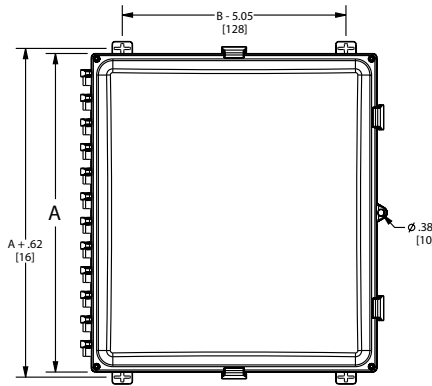
TECHNICAL DATA

LATCHING NOTES:
ENCLOSURES < 10.00 [254] IN HEIGHT REQUIRE
ONE LATCH CENTERED IN THE DOOR VERTICALLY.

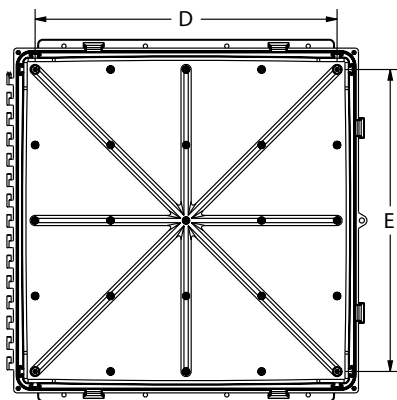
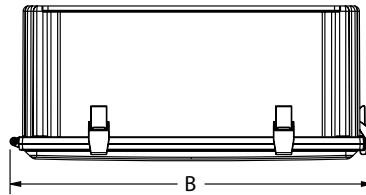
OMIT CENTER LATCH TOP AND BOTTOM OF DOOR
WHEN WIDTH < 16.00 [406].



COVER REMOVED



SCE-2424PCW



COVER REMOVED

