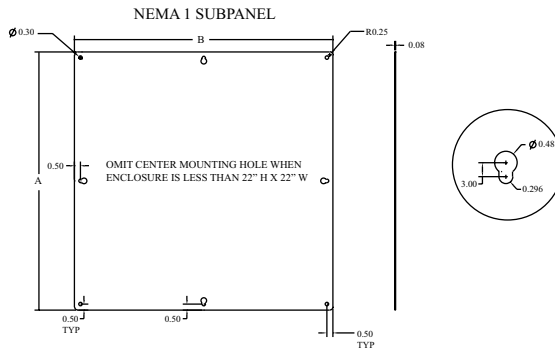
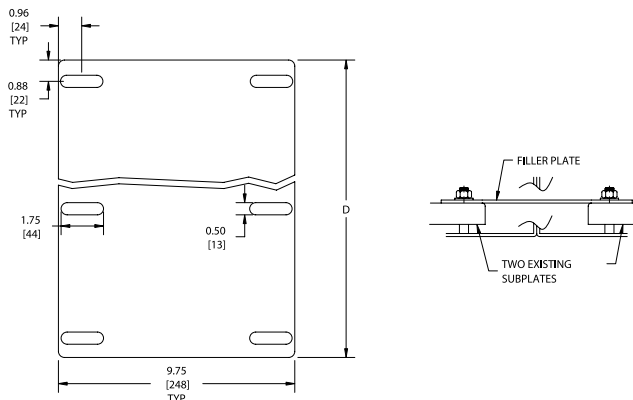


Catalog No.	Height (A)	Width (B)	Product Code	List Price
SCE-20P20C	16.38	18.75	P3	39.00
SCE-20P24C	16.38	22.75	P3	42.30
SCE-20P30C	16.38	28.75	P3	47.32
SCE-6N6MP	4.00	4.00	N1	2.82
SCE-8N6MP	6.00	4.00	N1	3.26
SCE-8N8MP	6.00	6.00	N1	3.82
SCE-10N8MP	8.00	6.00	N1	4.46
SCE-10N10MP	8.00	8.00	N1	5.27
SCE-12N10MP	10.00	8.00	N1	6.03
SCE-12N12MP	10.00	10.00	N1	7.10
SCE-14N12MP	12.00	10.00	N1	7.92
SCE-16N12MP	14.00	10.00	N1	11.58
SCE-16N16MP	14.00	14.00	N1	19.21
SCE-20N16MP	18.00	14.00	N1	21.62
SCE-20N20MP	18.00	18.00	N1	27.84
SCE-24N16MP	22.00	14.00	N1	22.89
SCE-24N20MP	22.00	18.00	N1	31.67
SCE-24N24MP	22.00	22.00	N1	36.97
SCE-30N24MP	28.00	22.00	N1	43.99



Catalog No.	Height (D)	Width	Enclosure Height	Product Code	List Price
SCE-30N30MP	28.00	28.00	72.00	N1	58.07
SCE-36N24MP	34.00	22.00	84.00	N1	52.80
SCE-36N30MP	34.00	28.00	90.00	N1	70.39



MOUNTING PANELS

Type 1 Sub-Panels

Designed to be used with Nema 1 enclosures. Made of heavy gauge steel and powder coated white.

Filler Plates

Designed to provide additional mounting surface between sub-panels in a large enclosure or between sub-panels or sections of a modular enclosure. Slotted mounting holes allow flexible installation. Panels are powder coated white.