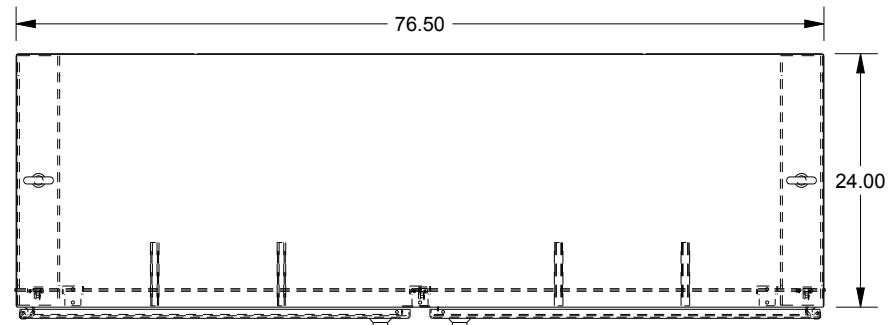
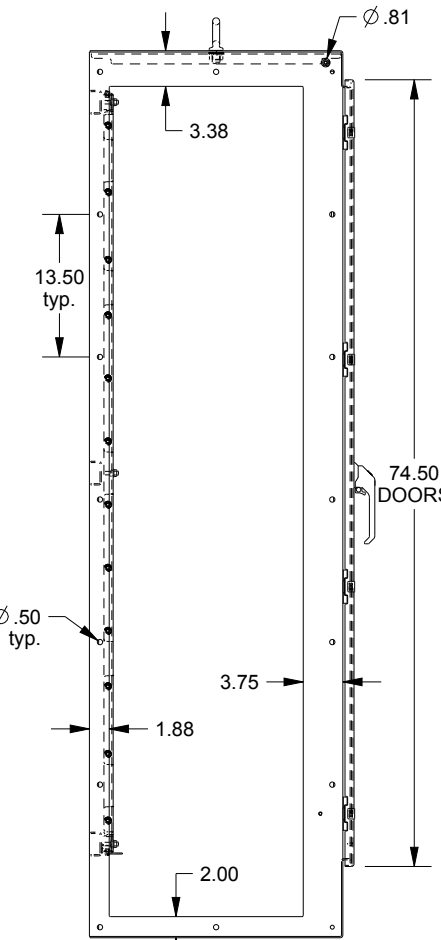


# SAGINAW CONTROL & ENGINEERING

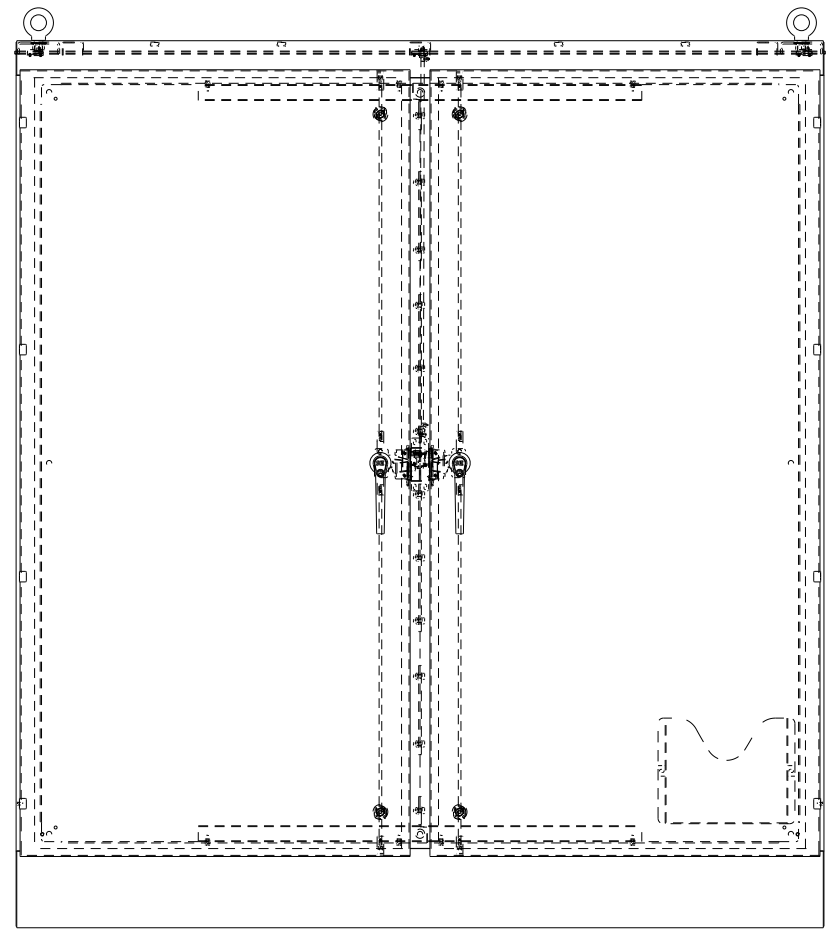
## SCE-MOD847724G



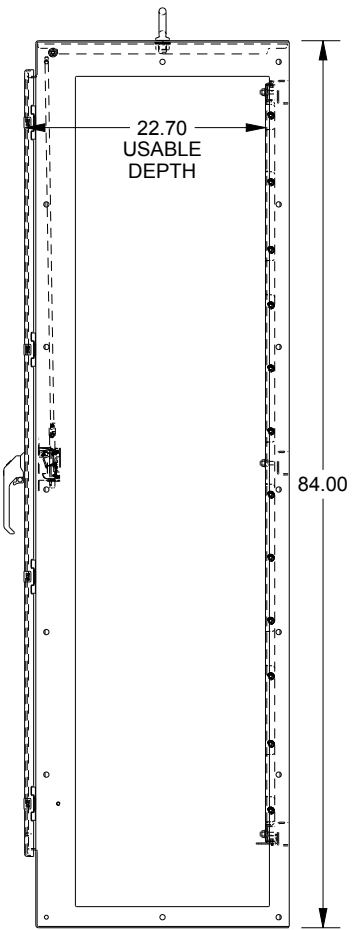
TOP VIEW



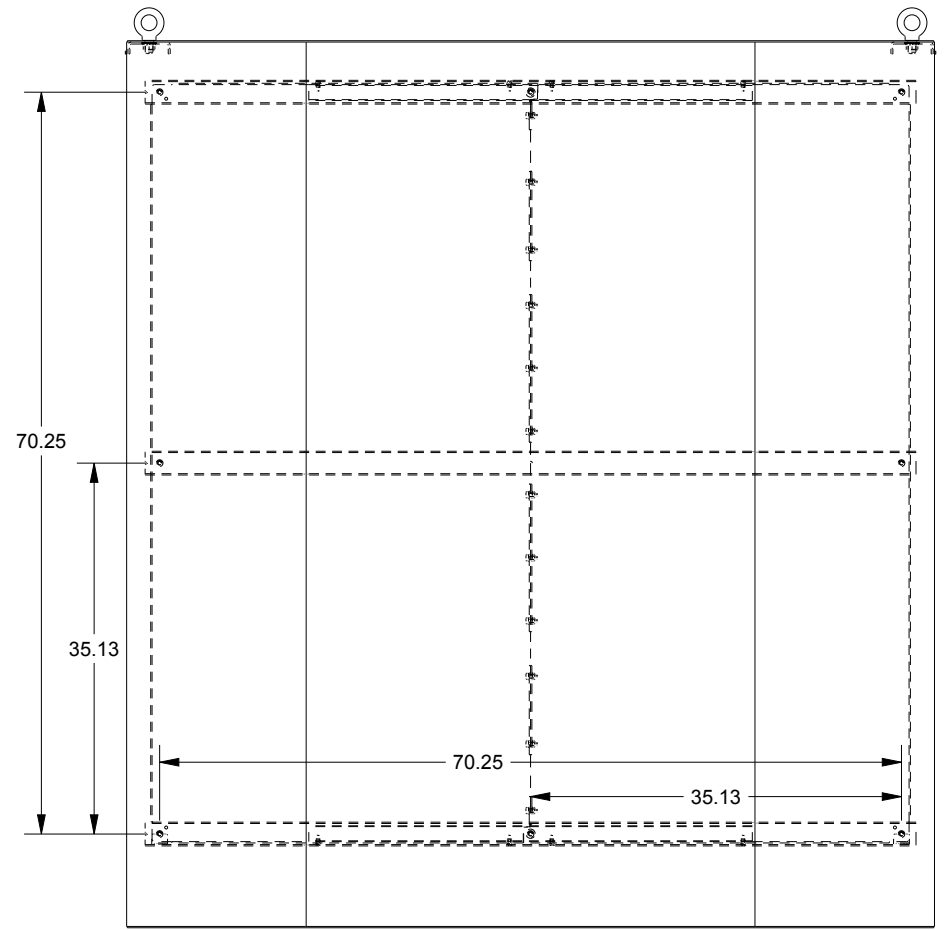
LEFT SIDE VIEW



FRONT VIEW

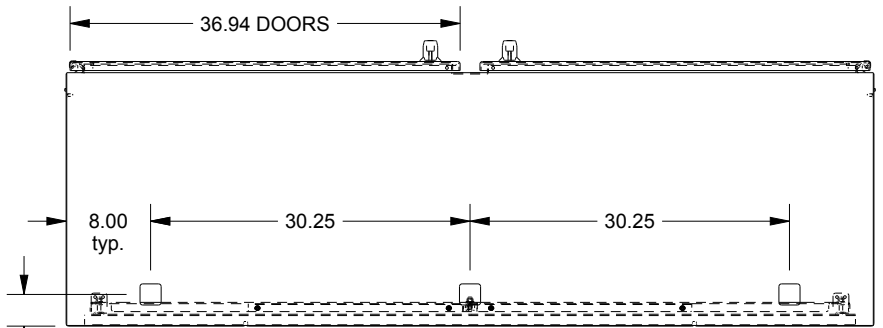


RIGHT SIDE VIEW



EXTERNAL REAR VIEW

WASH SYSTEM 2" SQUARE DRAIN HOLES  
IN THE BOTTOM WITH UL APPROVED  
HOLE SEALS PROVIDED



BOTTOM VIEW