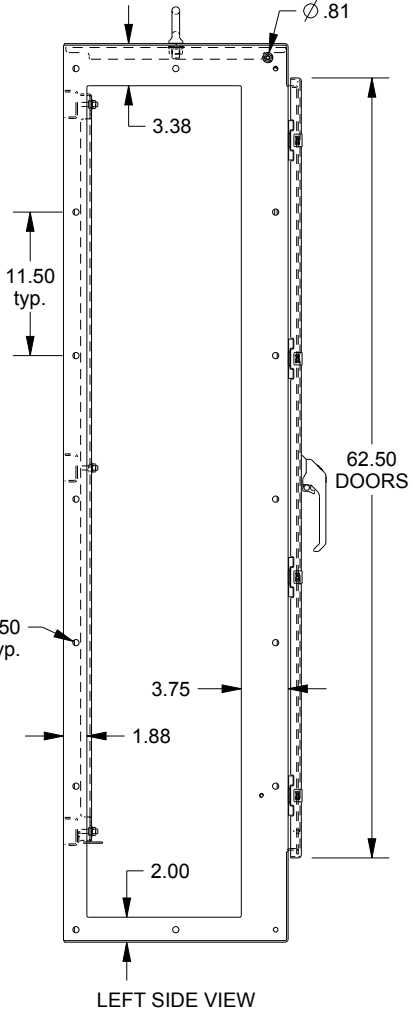
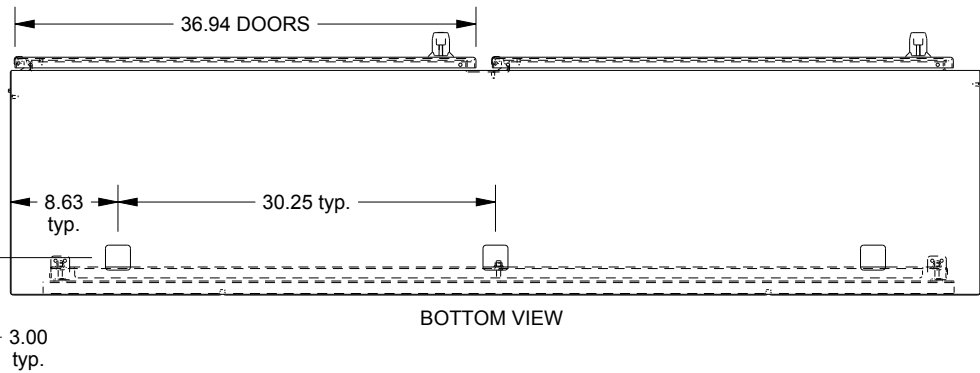
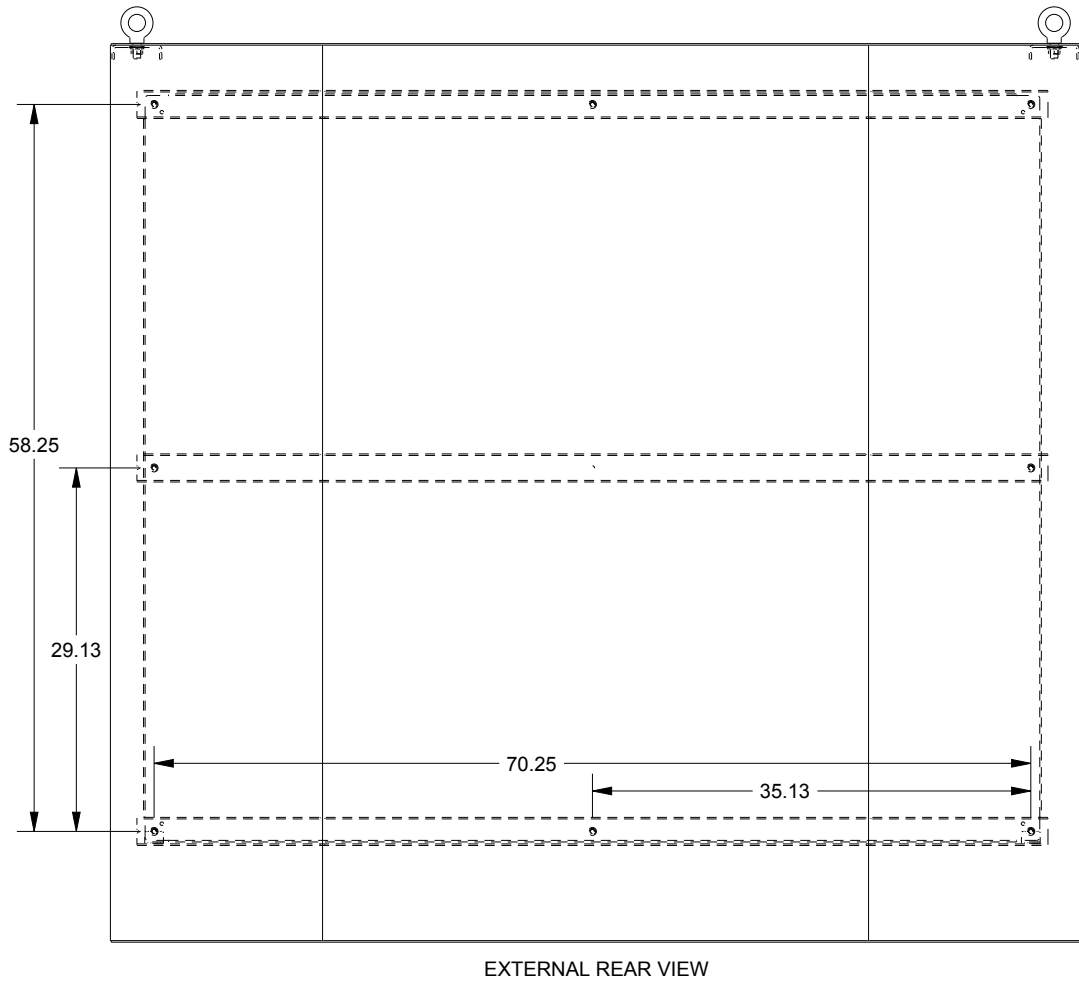
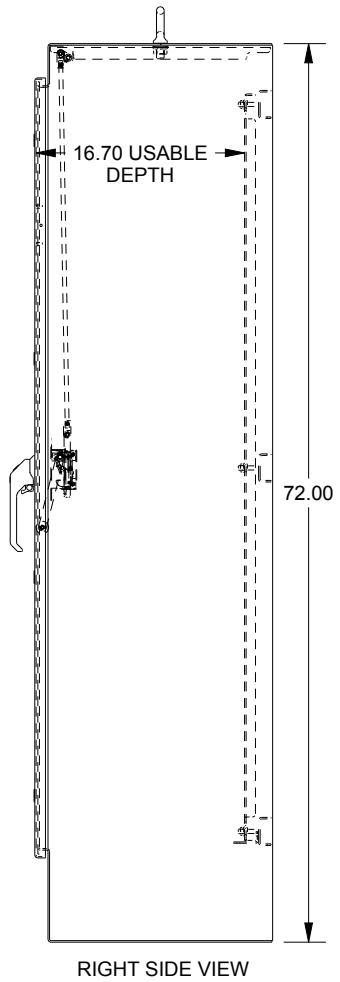
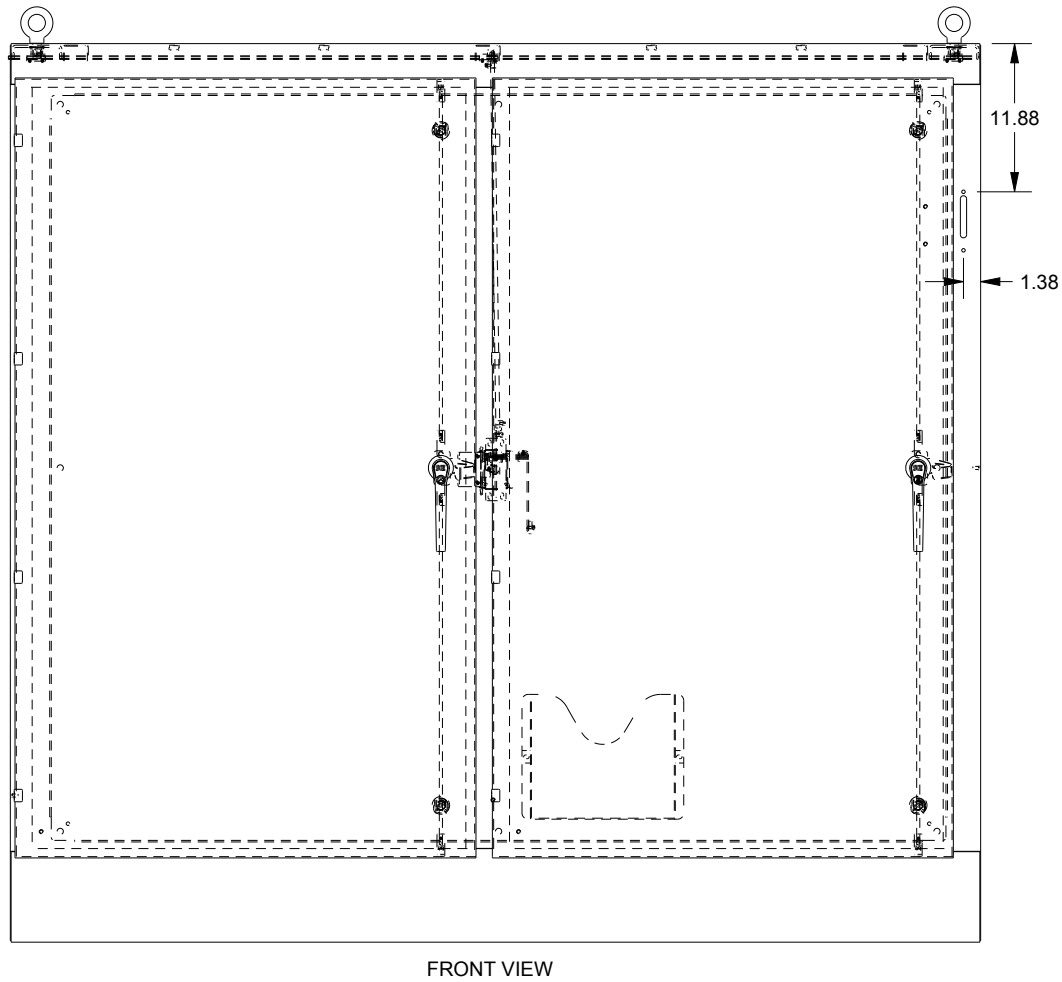
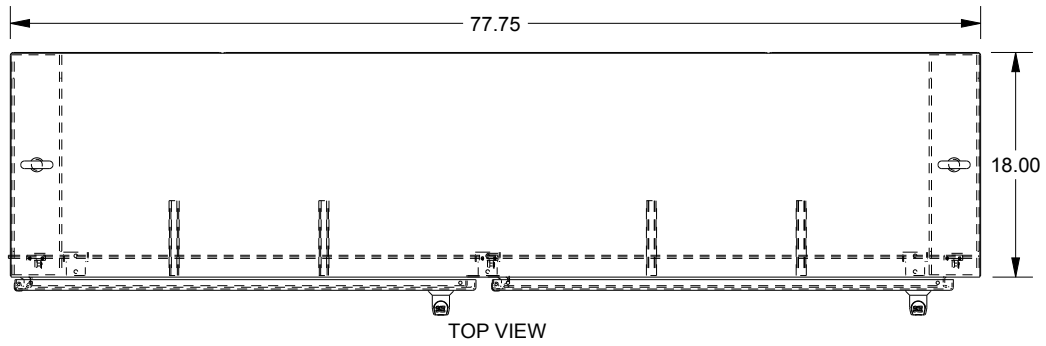


SAGINAW CONTROL & ENGINEERING

SCE-MOD72X7818



WASH SYSTEM 2" SQUARE DRAIN HOLES
IN THE BOTTOM WITH UL APPROVED
HOLE SEALS PROVIDED