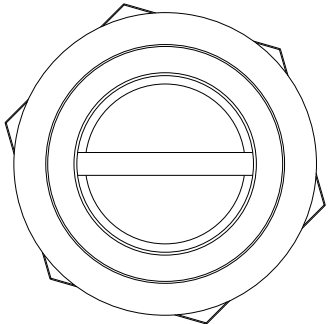
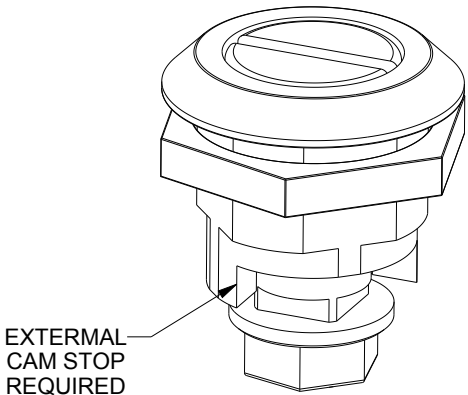
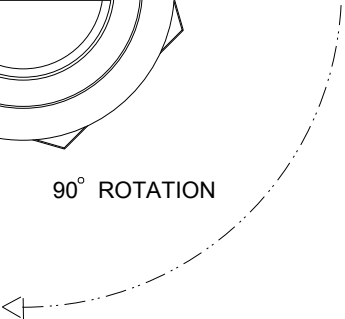


# SAGINAW CONTROL & ENGINEERING

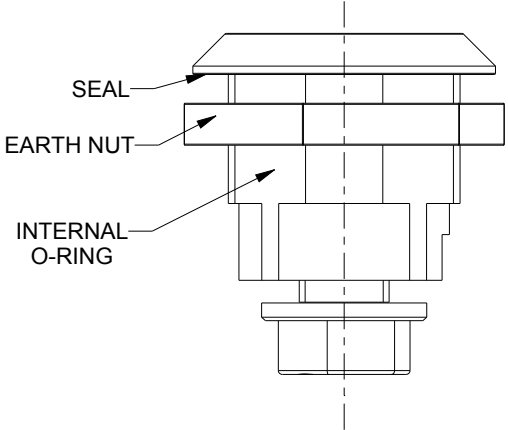
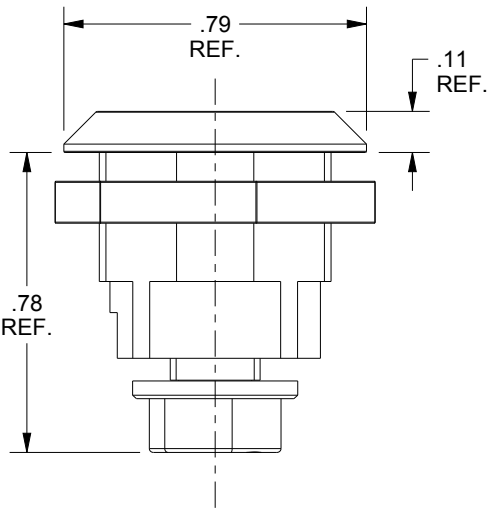
## SCE-MINQSS, PART I.D. 107806



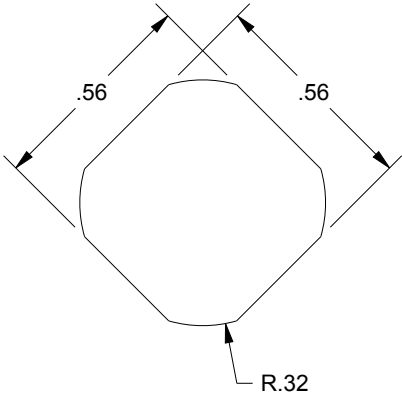
90° ROTATION



EXTERNAL  
CAM STOP  
REQUIRED



TO MAINTAIN TYPE  
3, 3R, 4, 4X & 12



CUTOUT DETAIL

DESCRIPTION:  
MINIATURE QUARTER TURN, SLOTTED INSERT,  
NO CAM, STAINLESS STEEL TYPE 304