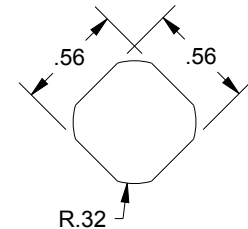
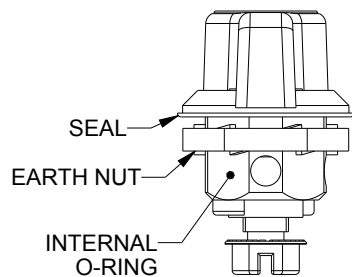
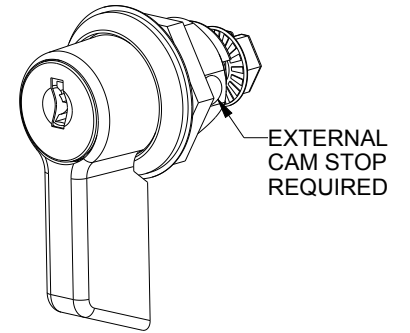
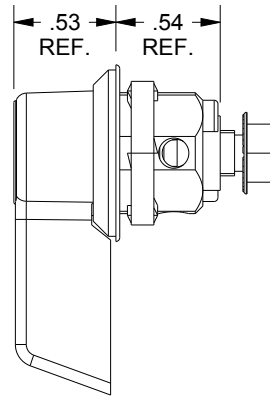
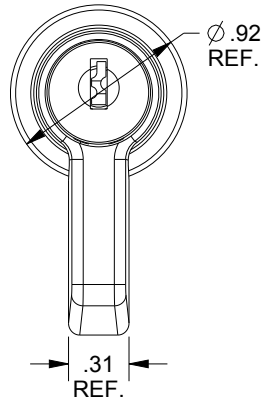
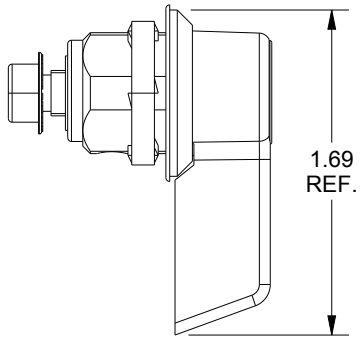
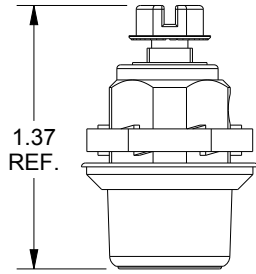


SAGINAW CONTROL & ENGINEERING

SCE-MINQKLB, PART I.D. 108113



CUTOUT DETAIL

TO MAINTAIN TYPE
3, 3R, 4, 4X & 12

DESCRIPTION:
MINIATURE QUARTER TURN, LEVER KNOB,
KEY LOCKING, EXTERNAL CAM STOP, NO CAM,
ZINC DIE CAST, BLACK TEXTURED