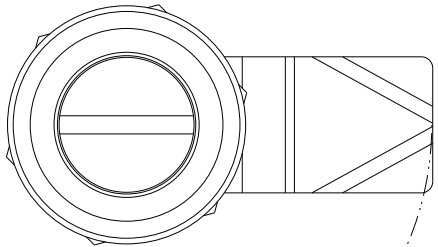
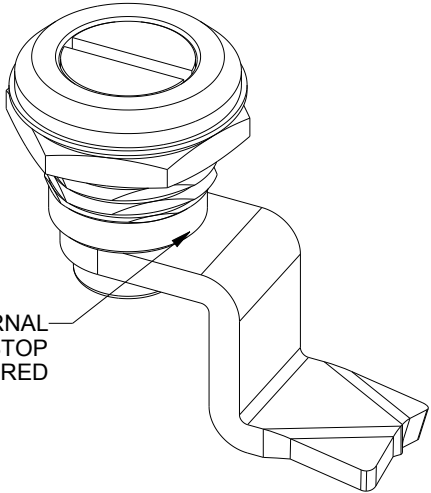
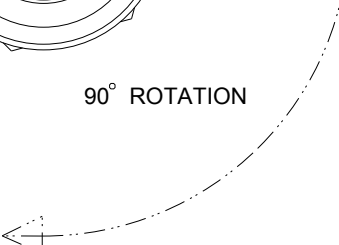


SAGINAW CONTROL & ENGINEERING

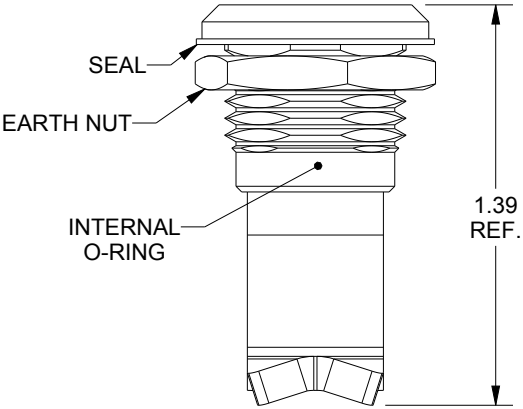
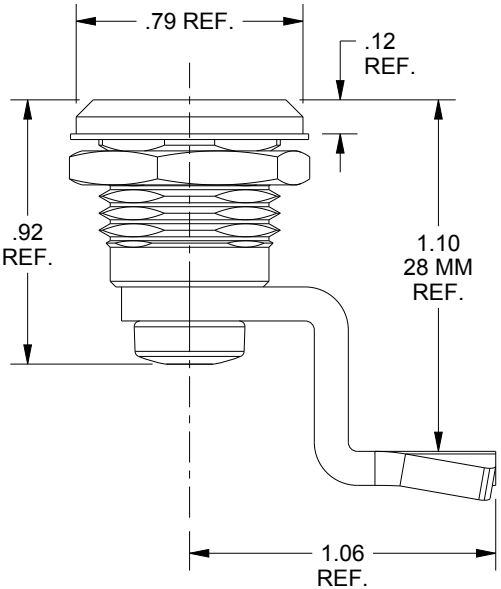
SCE-MINQB, PART I.D. 100940



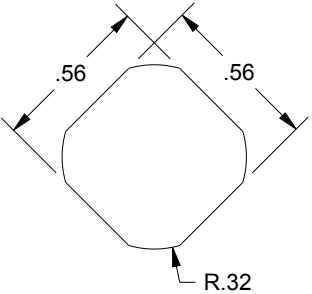
90° ROTATION



EXTERNAL
CAM STOP
REQUIRED



TO MAINTAIN TYPE
3, 3R, 4, 4X & 12



CUTOUT DETAIL

DESCRIPTION:
MINIATURE QUARTER TURN, SLOTTED INSERT,
EXTERNAL CAM STOP, CAM INCLUDED 28 MM.
ZINC DIE CAST, BLACK TEXTURED