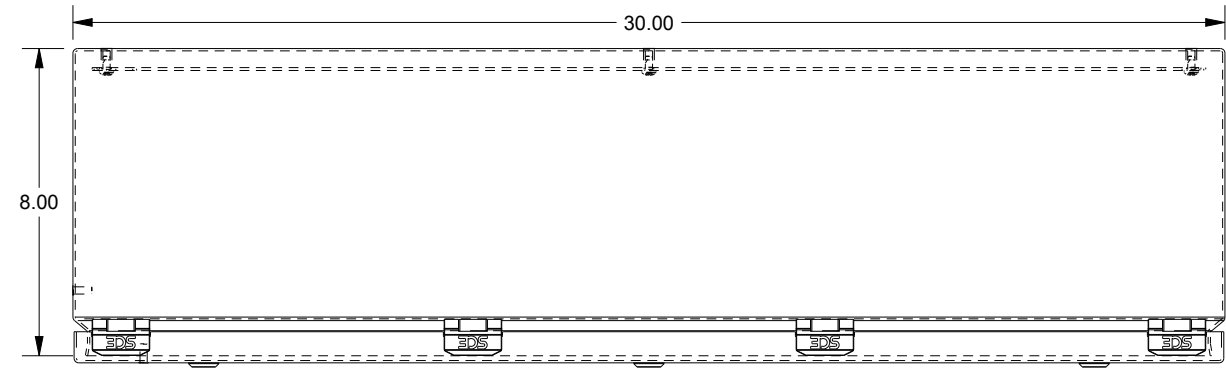
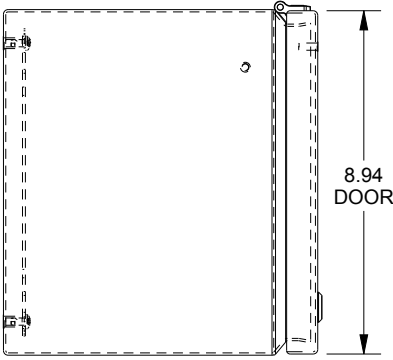


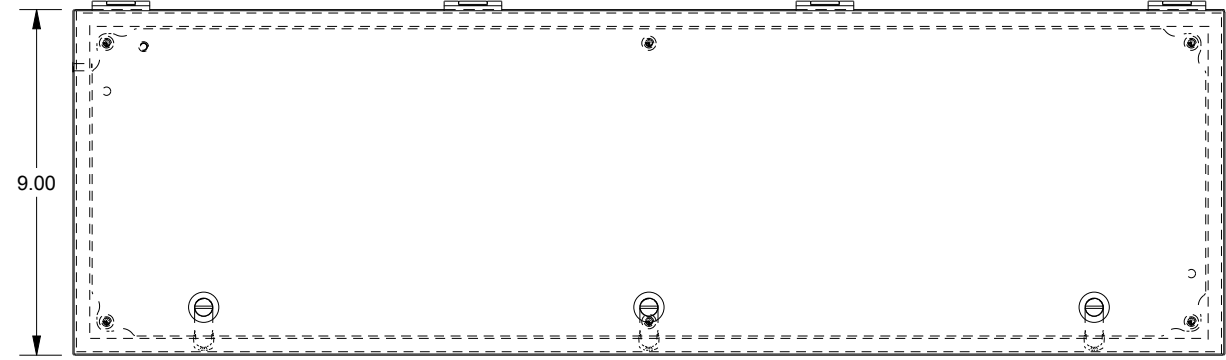
# SAGINAW CONTROL & ENGINEERING SCE-L9308ELJSS



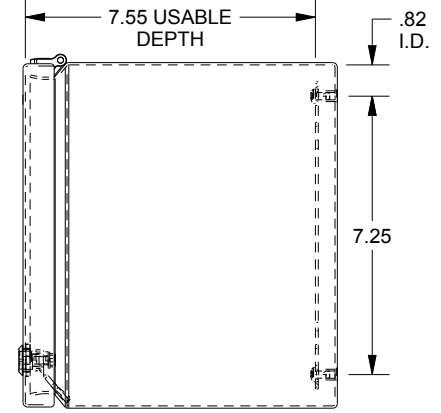
TOP VIEW



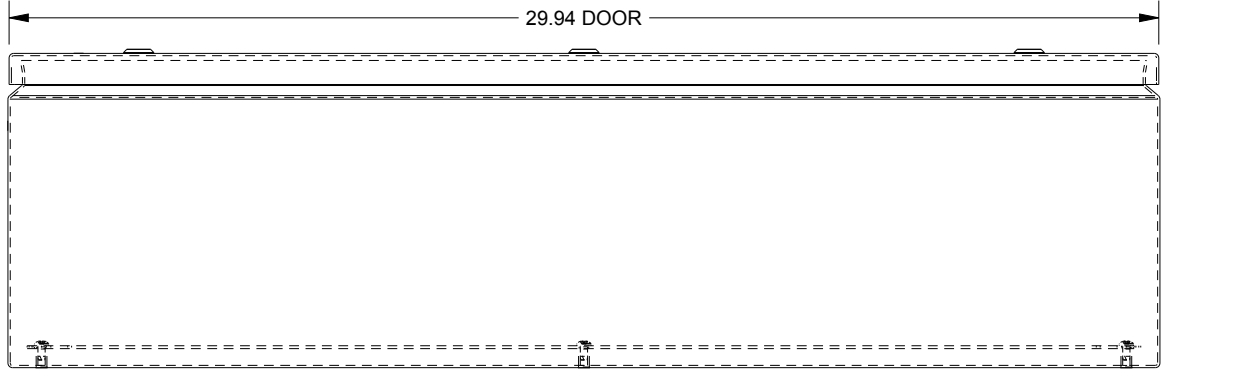
LEFT SIDE VIEW



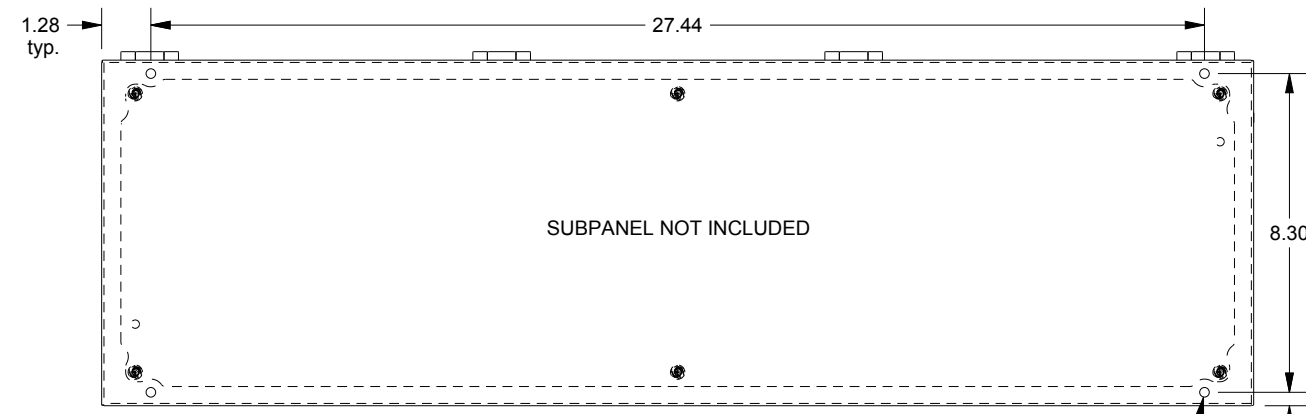
FRONT VIEW



RIGHT SIDE VIEW



BOTTOM VIEW



EXTERNAL REAR VIEW

Ø .25 MTG. HOLES (x4)  
.35 typ.