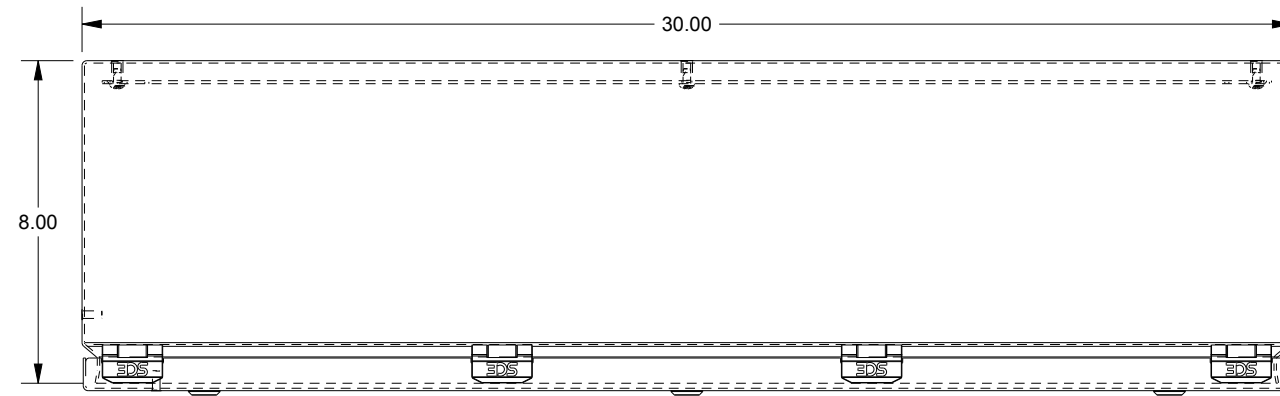
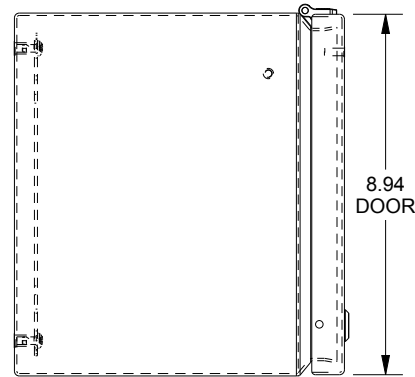


# SAGINAW CONTROL & ENGINEERING

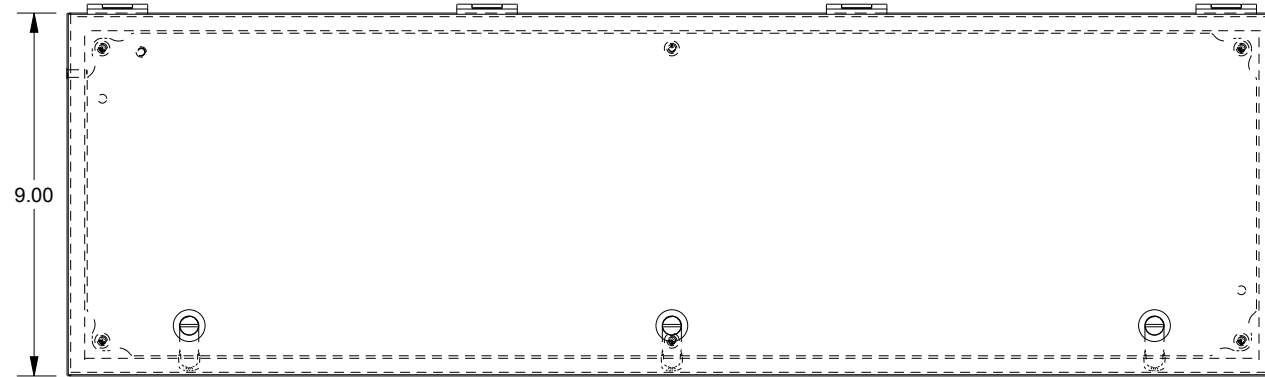
SCE-L9308ELJ = SCE-09 GRAY  
 SCE-L9308ELJLG = RAL 7035



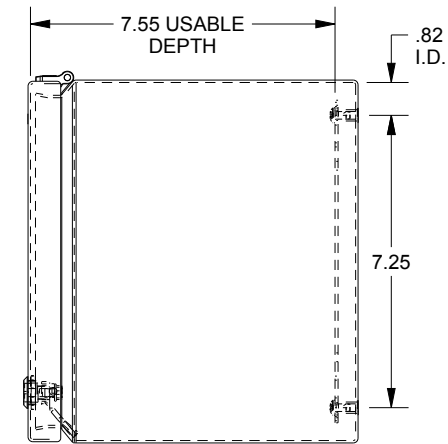
TOP VIEW



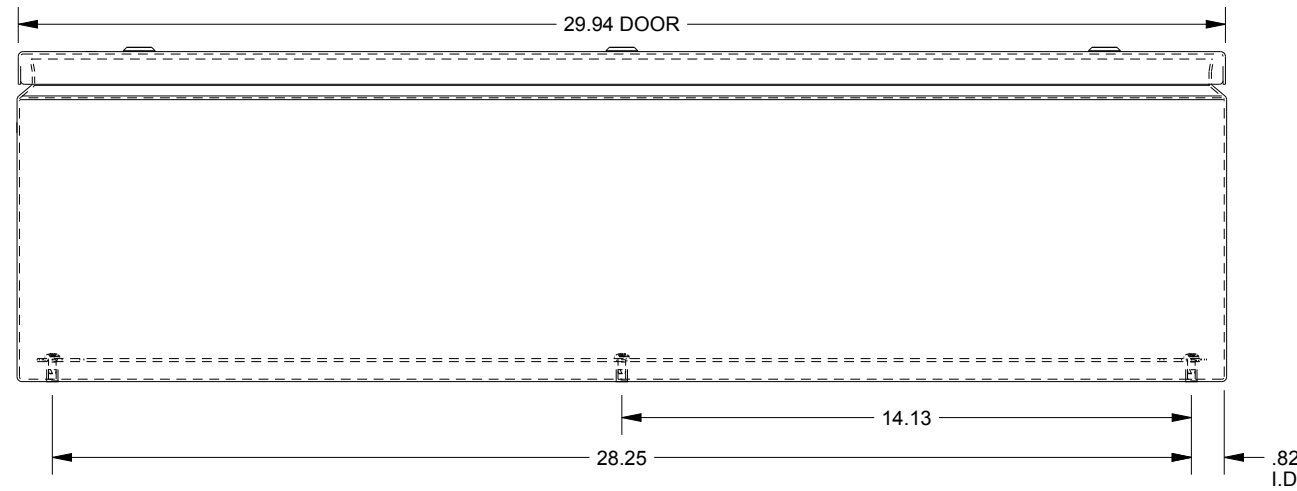
LEFT SIDE VIEW



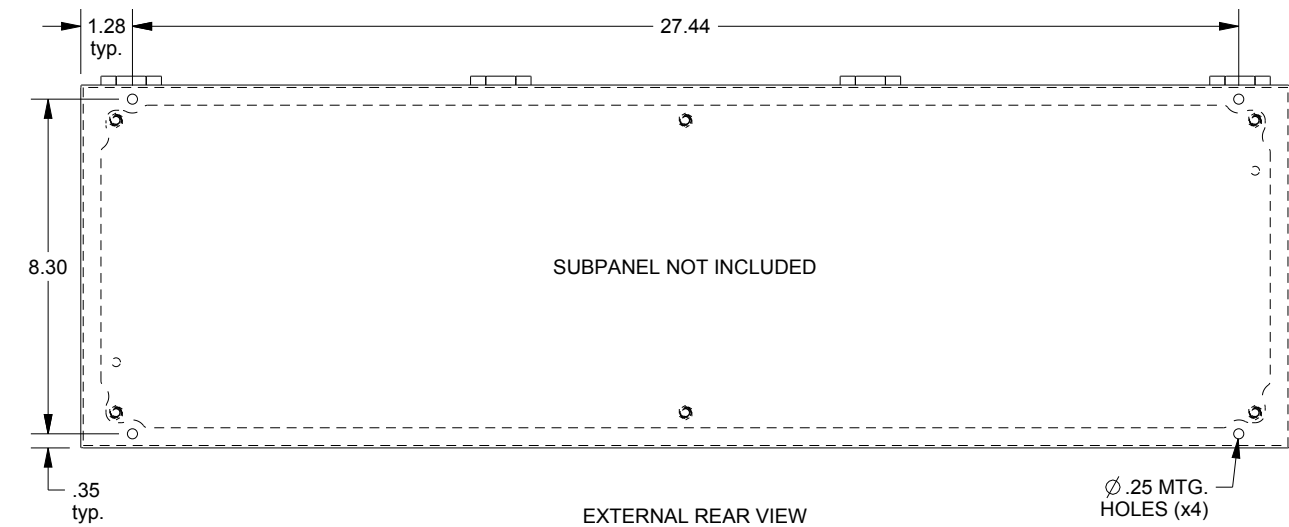
FRONT VIEW



RIGHT SIDE VIEW



BOTTOM VIEW



SUBPANEL NOT INCLUDED

EXTERNAL REAR VIEW

Ø.25 MTG.  
HOLES (x4)