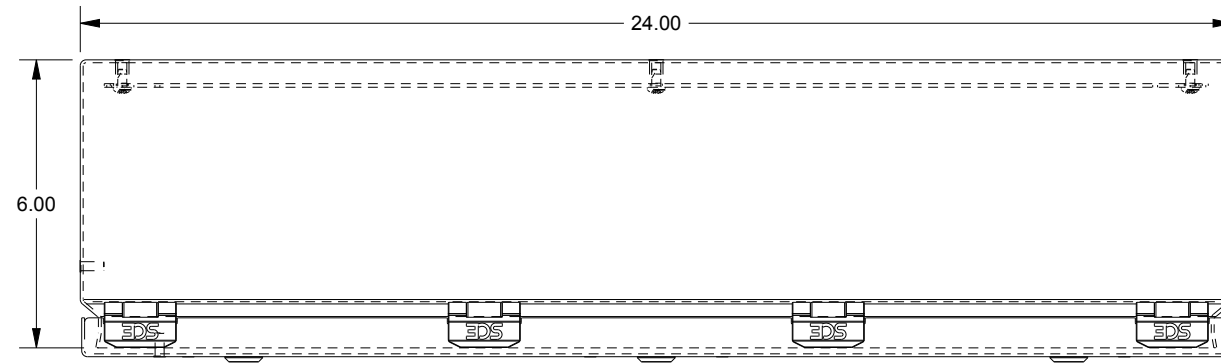


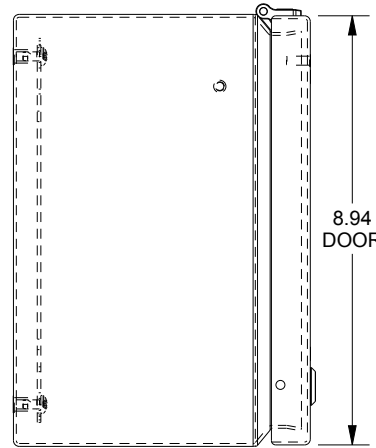
SAGINAW CONTROL & ENGINEERING

SCE-L9246ELJW = SCE-09 GRAY

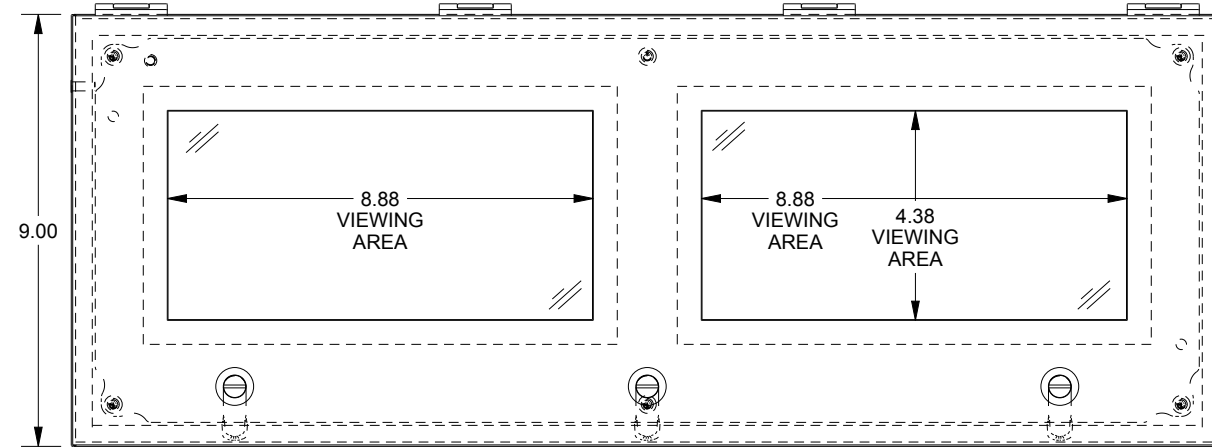
SCE-L9246ELJWLG = RAL 7035



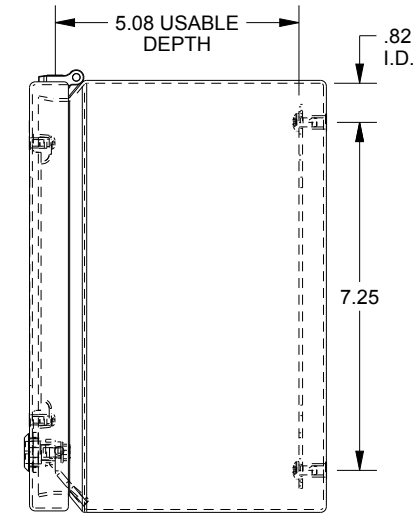
TOP VIEW



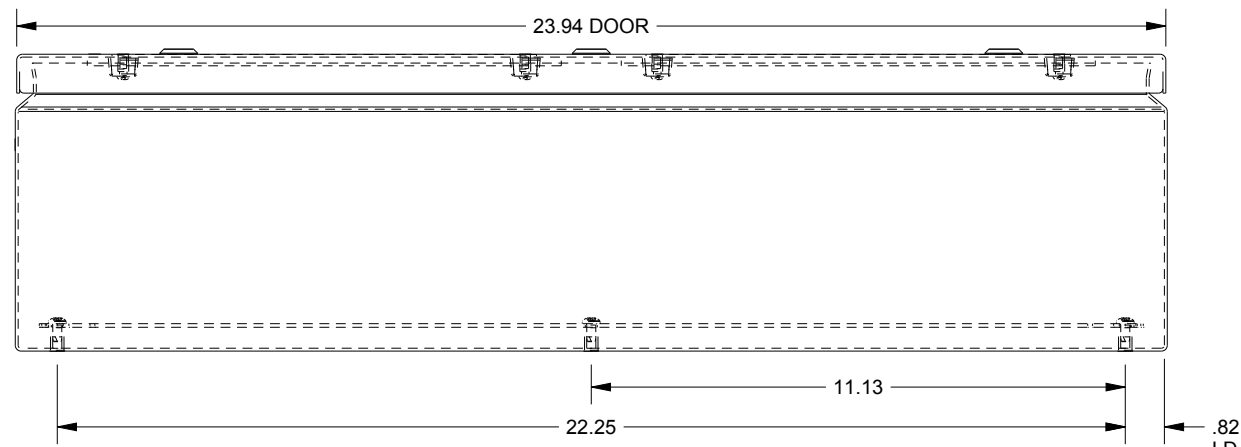
LEFT SIDE VIEW



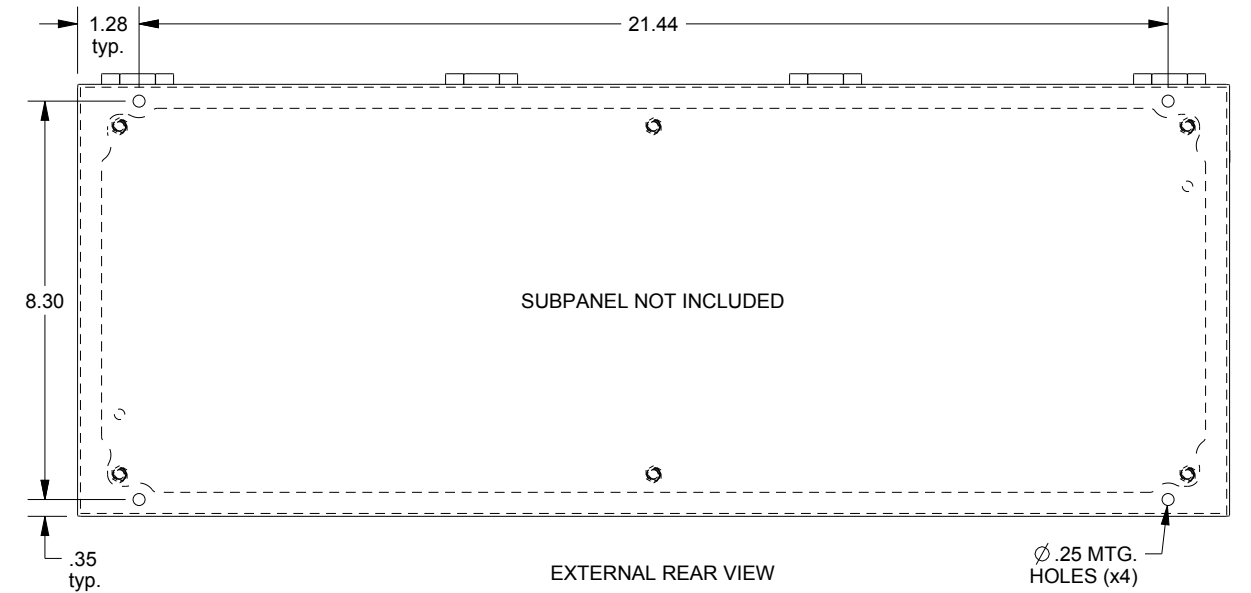
FRONT VIEW



RIGHT SIDE VIEW



BOTTOM VIEW



EXTERNAL REAR VIEW