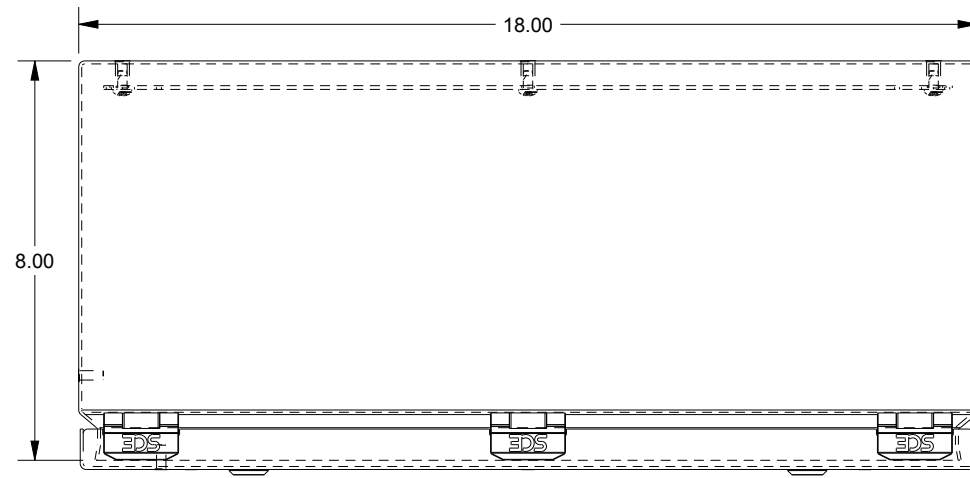
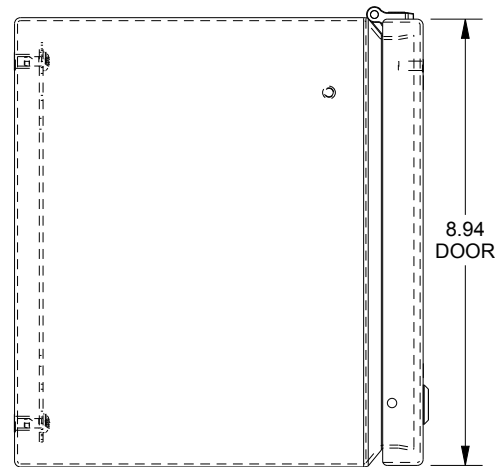


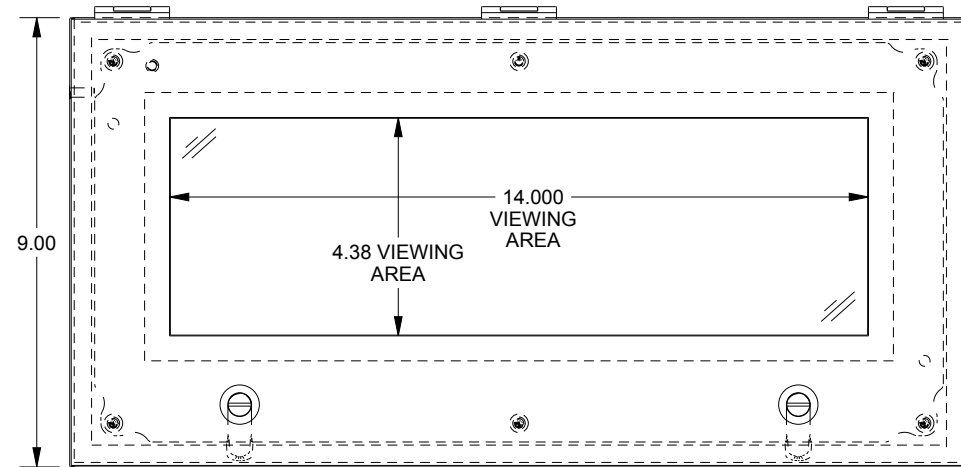
SAGINAW CONTROL & ENGINEERING  
 SCE-L9188ELJW = SCE-09 GRAY  
 SCE-L9188ELJWLG = RAL 7035



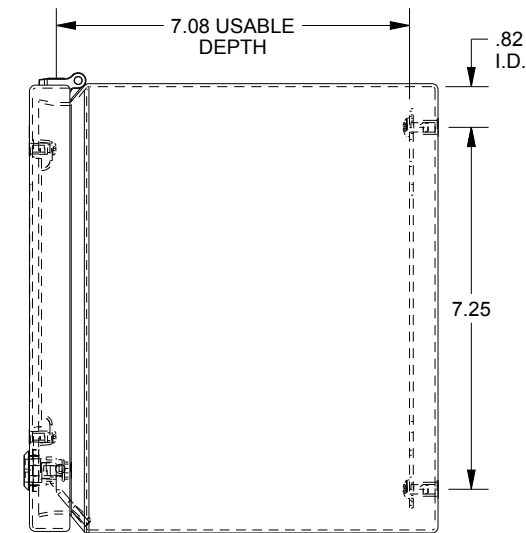
TOP VIEW



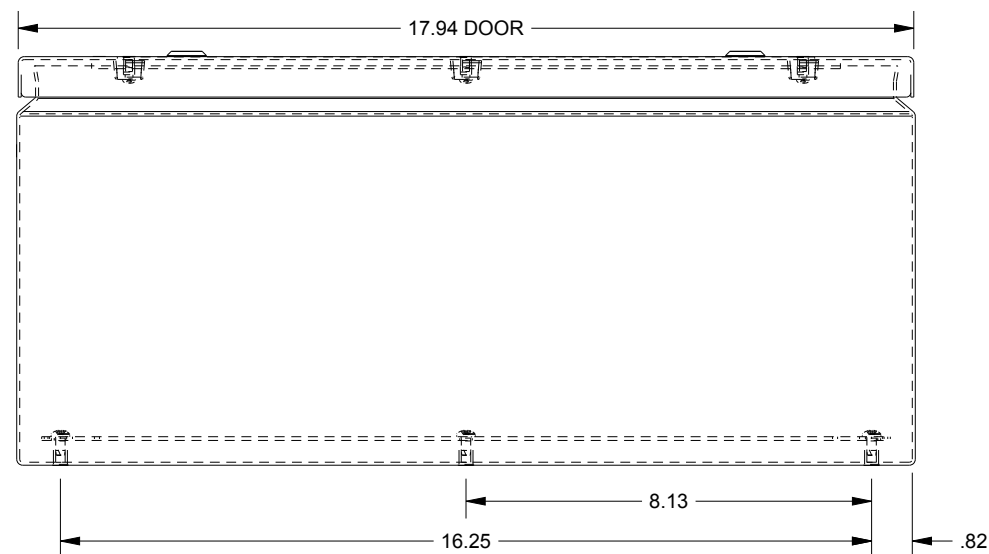
LEFT SIDE VIEW



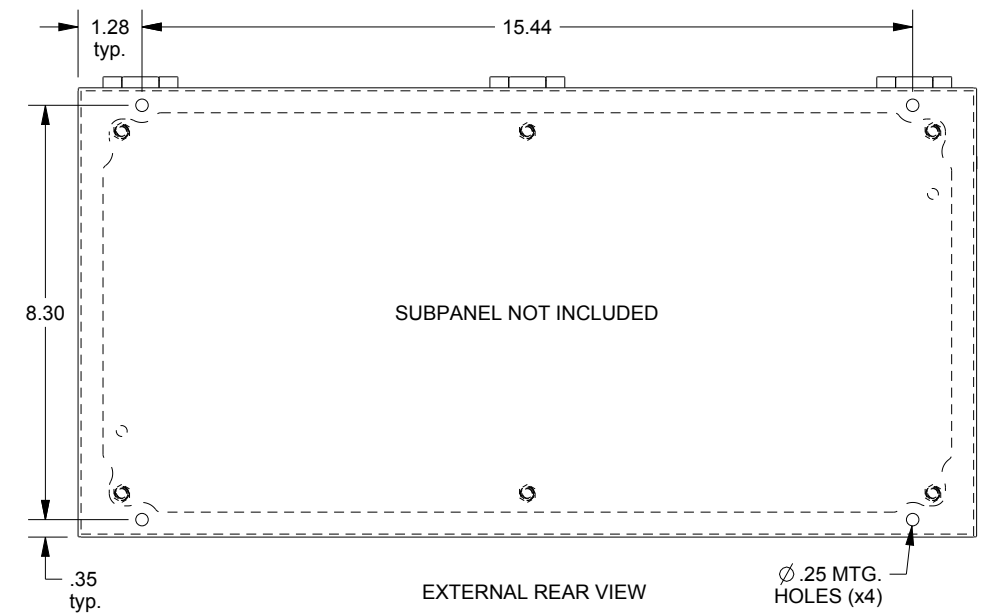
FRONT VIEW



RIGHT SIDE VIEW



BOTTOM VIEW



EXTERNAL REAR VIEW

Ø.25 MTG. HOLES (x4)