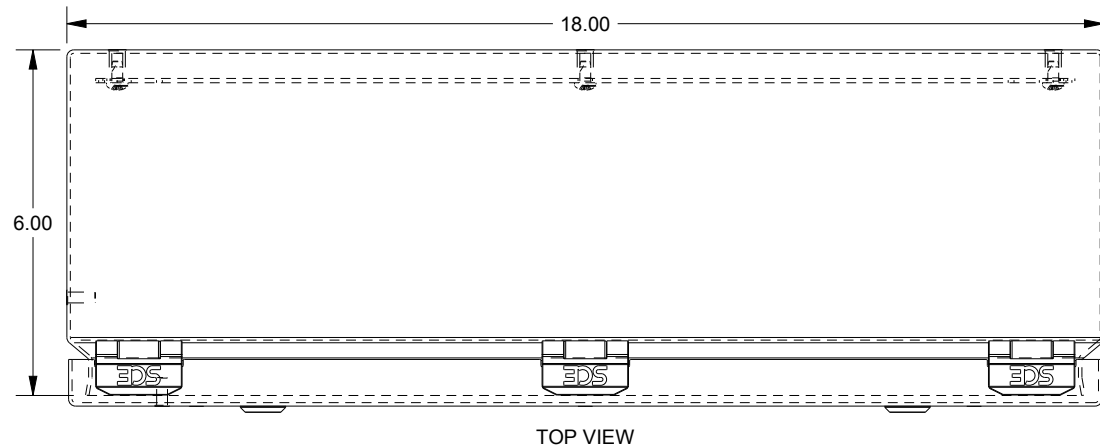
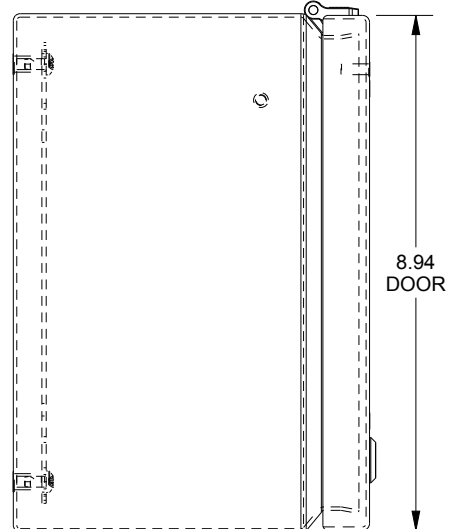


SAGINAW CONTROL & ENGINEERING

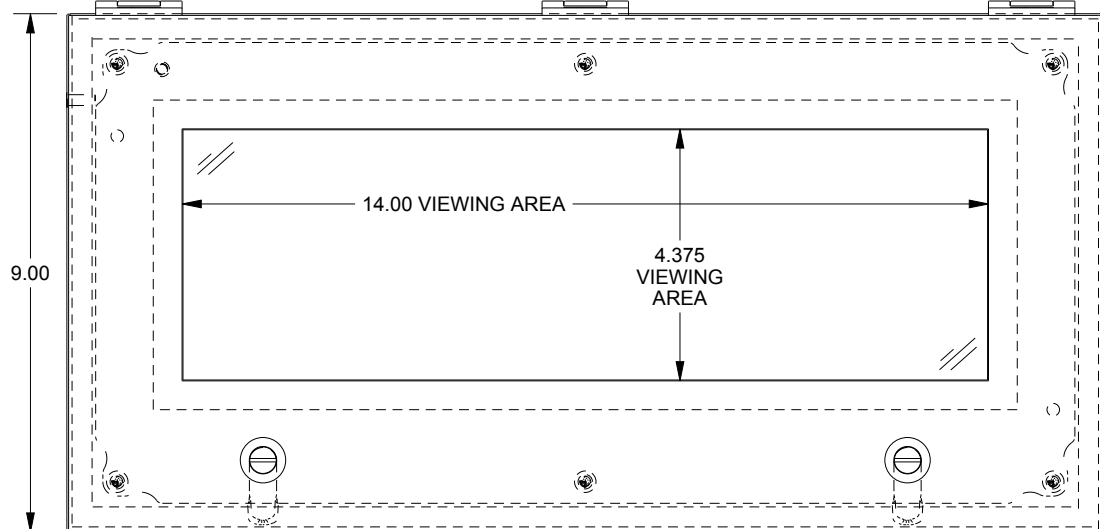
SCE-L9186ELJWSS



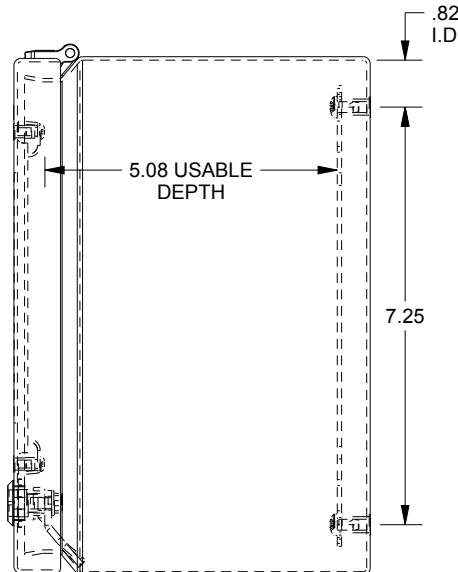
TOP VIEW



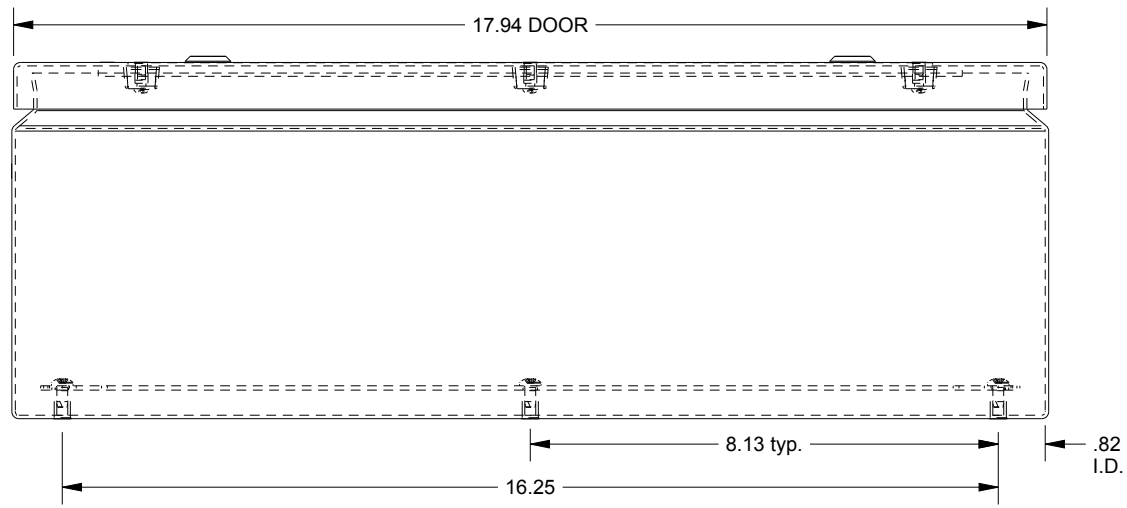
LEFT SIDE VIEW



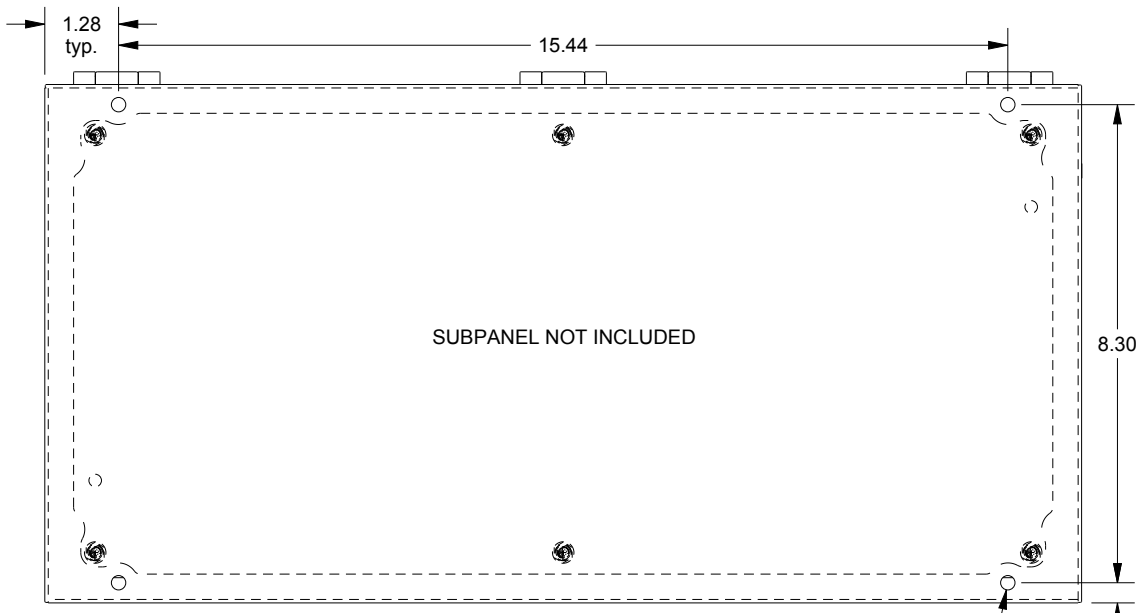
FRONT VIEW



RIGHT SIDE VIEW



BOTTOM VIEW



EXTERNAL REAR VIEW

Ø .25 MTG. HOLES (x4)
.35 typ.