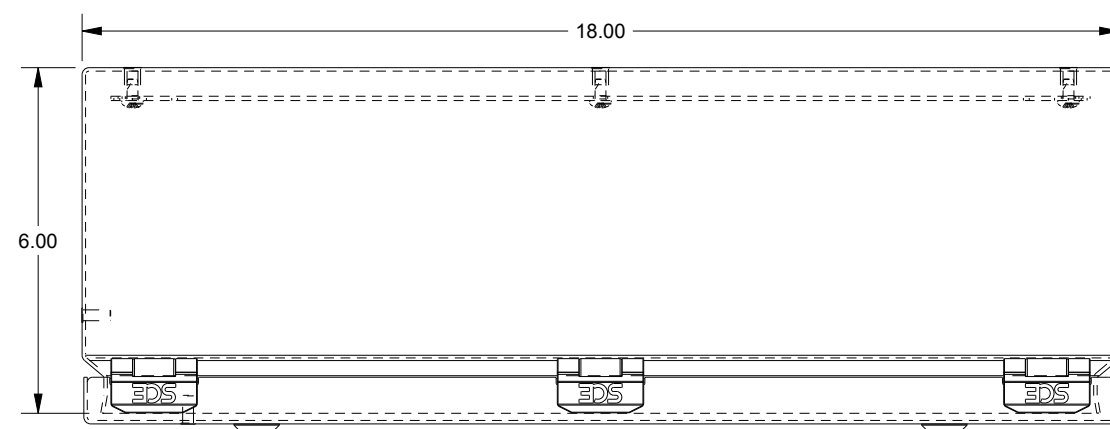


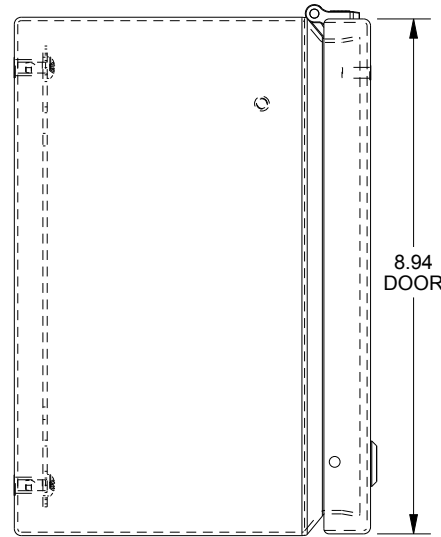
# SAGINAW CONTROL & ENGINEERING

## SCE-L9186ELJ = SCE-09 GRAY

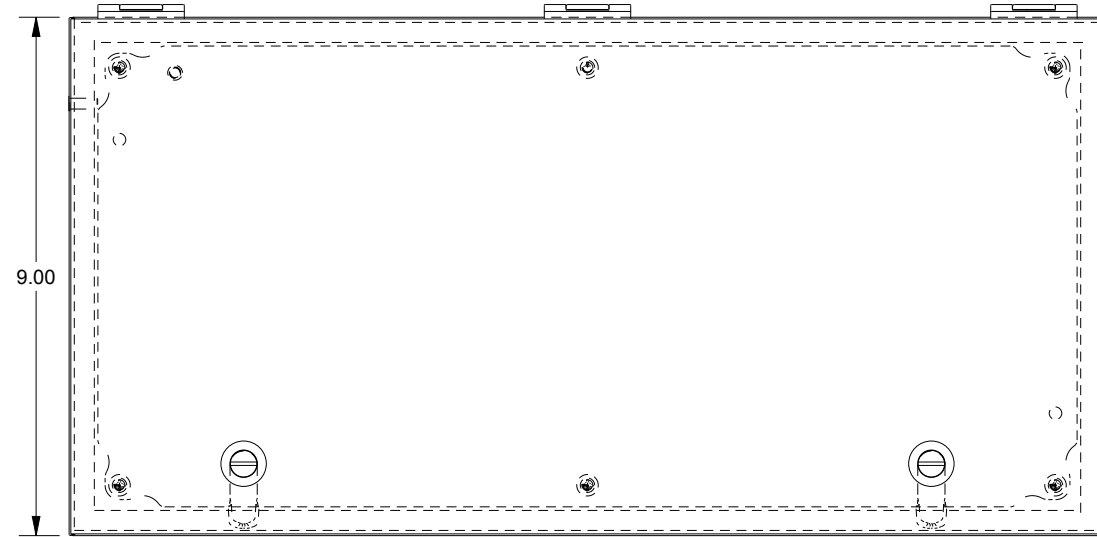
## SCE-L9186ELJLG = RAL 7035



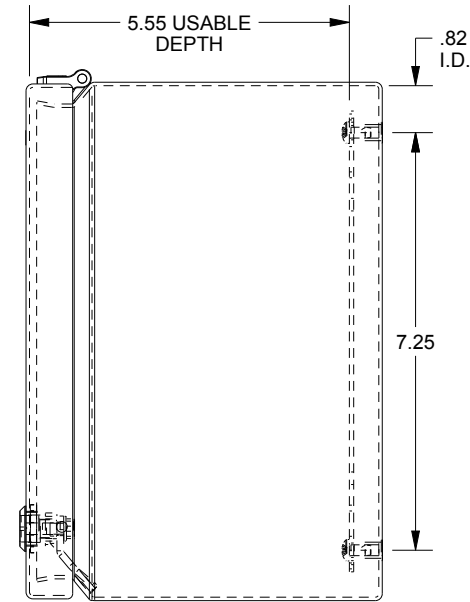
TOP VIEW



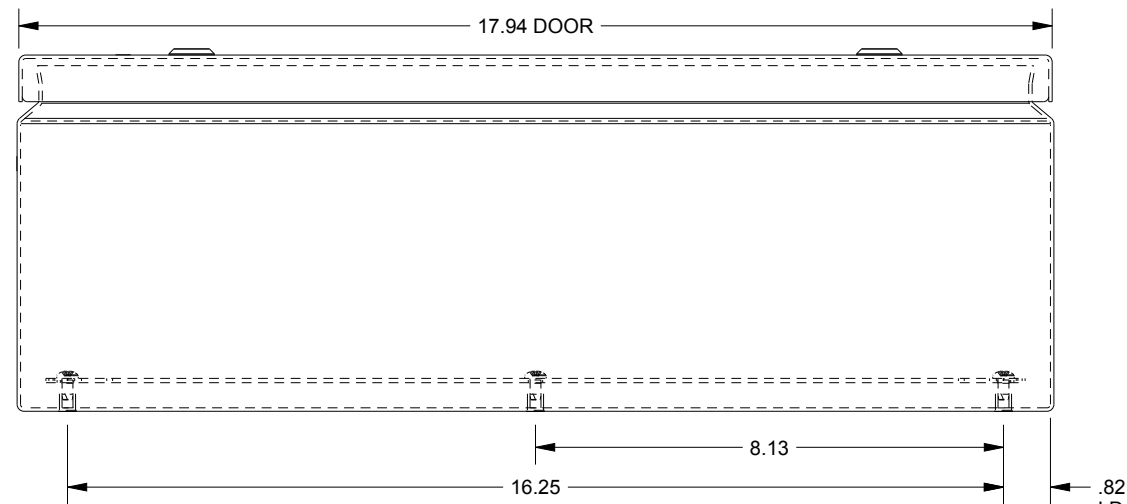
LEFT SIDE VIEW



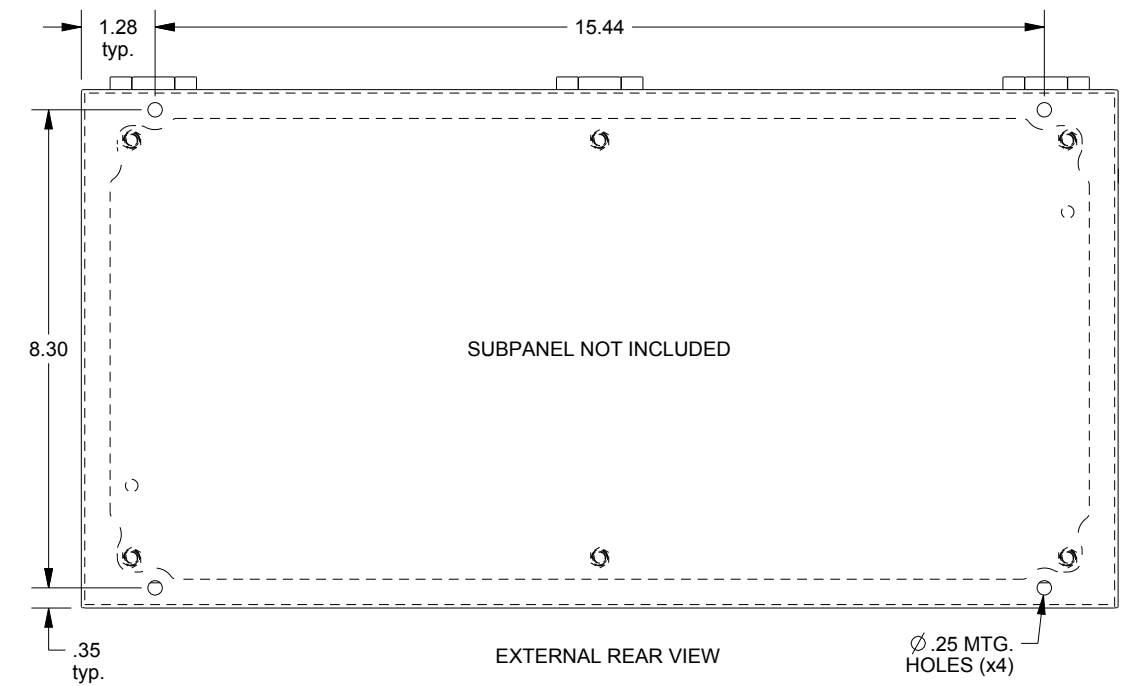
FRONT VIEW



RIGHT SIDE VIEW



BOTTOM VIEW



EXTERNAL REAR VIEW