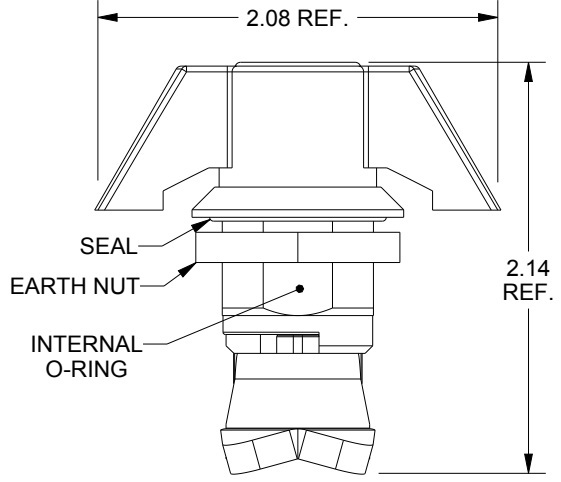
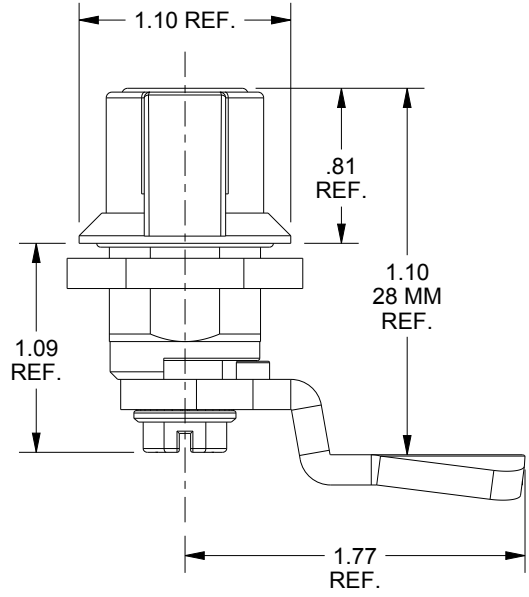
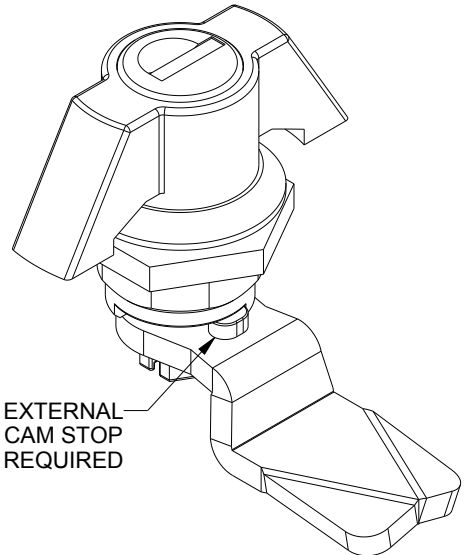
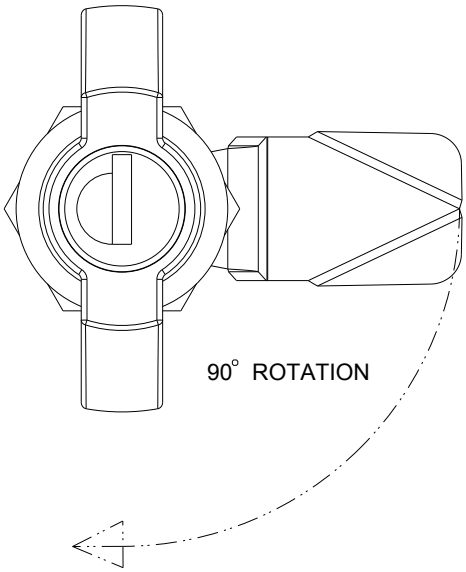
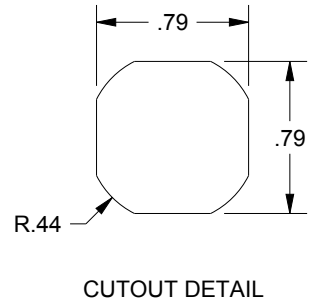


# SAGINAW CONTROL & ENGINEERING

## SCE-KLWN, PART I.D. 101081



TO MAINTAIN TYPE  
3, 3R, 4, 4X & 12



DESCRIPTION:  
QUARTER TURN, WING KNOB, KEYLOCKING W/(2)  
K333 KEYS, EXTERNAL CAM STOP, CAM INCLUDED  
28 MM. ZINC DIE CAST, CHROME PLATED