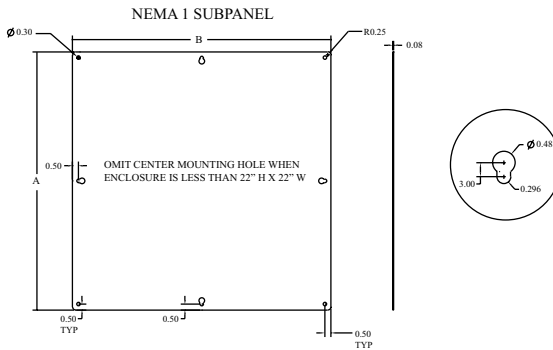
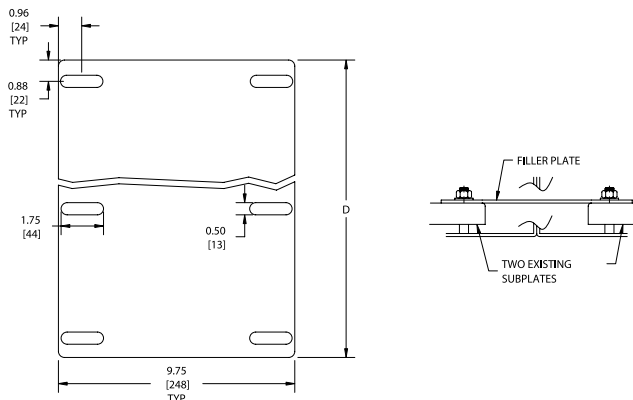


Catalog No.	Height (A)	Width (B)	Product Code	List Price
SCE-20P20C	16.38	18.75	P3	39.00
SCE-20P24C	16.38	22.75	P3	42.30
SCE-20P30C	16.38	28.75	P3	47.32
SCE-6N6MP	4.00	4.00	N1	2.82
SCE-8N6MP	6.00	4.00	N1	3.26
SCE-8N8MP	6.00	6.00	N1	3.82
SCE-10N8MP	8.00	6.00	N1	4.46
SCE-10N10MP	8.00	8.00	N1	5.27
SCE-12N10MP	10.00	8.00	N1	6.03
SCE-12N12MP	10.00	10.00	N1	7.10
SCE-14N12MP	12.00	10.00	N1	7.92
SCE-16N12MP	14.00	10.00	N1	11.58
SCE-16N16MP	14.00	14.00	N1	19.21
SCE-20N16MP	18.00	14.00	N1	21.62
SCE-20N20MP	18.00	18.00	N1	27.84
SCE-24N16MP	22.00	14.00	N1	22.89
SCE-24N20MP	22.00	18.00	N1	31.67
SCE-24N24MP	22.00	22.00	N1	36.97
SCE-30N24MP	28.00	22.00	N1	43.99



Catalog No.	Height (D)	Width	Enclosure Height	Product Code	List Price
SCE-30N30MP	28.00	28.00	72.00	N1	58.07
SCE-36N24MP	34.00	22.00	84.00	N1	52.80
SCE-36N30MP	34.00	28.00	90.00	N1	70.39



MOUNTING PANELS

Type 1 Sub-Panels

Designed to be used with Nema 1 enclosures. Made of heavy gauge steel and powder coated white.

Filler Plates

Designed to provide additional mounting surface between sub-panels in a large enclosure or between sub-panels or sections of a modular enclosure. Slotted mounting holes allow flexible installation. Panels are powder coated white.

1 Operator System Enclosures
 2 Wall-Mount Enclosures
 3 Free-Standing & Floor-Mounted Enclosures
 4 Modular Enclosures
 5 Operator System Enclosures (Stainless Steel)
 6 Wall-Mount Enclosures (Stainless Steel)
 7 Free-Standing & Floor-Mounted Enclosures (Stainless Steel)
 8 Non-Metallic Enclosures
 9 Mounting Panels
 10 Technical Information
 11 Index

MOUNTING PANELS

Perforated Sub-Panels

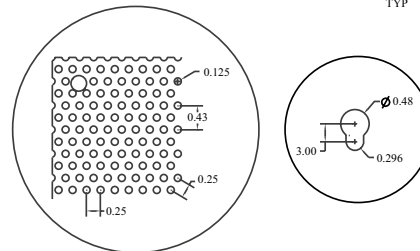
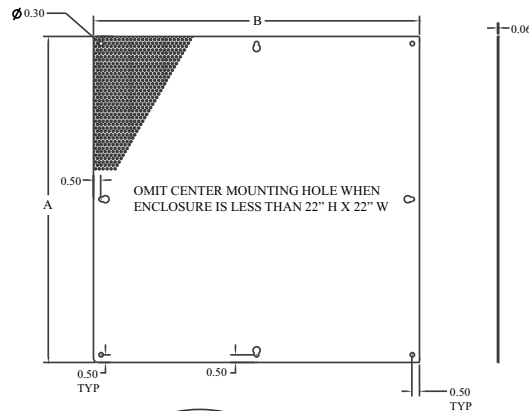
Perforated Sub-panels have 0.13 mounting holes with 0.25 staggered patterns for the installation of lightweight control components with #8 self threading screws, for use in small and medium size Type 1 enclosures.

Individual Panel Supports

Individual Panel Supports are available for mounting sub-panels. Packaged in sets with all mounting hardware included. Made of heavy gauge steel and plated. For technical information, consult our Installation Manual at www.saginawcontrol.com.

Catalog No.	Height (A)	Width (B)	Product Code	List Price
SCE-72FP	60.00	9.75	P3	78.49
SCE-84FP	72.00	9.75	P3	88.62
SCE-90FP	78.00	9.75	P3	96.21
SCE-6N6MPP	4.00	4.00	N1	7.36
SCE-8N6MPP	6.00	4.00	N1	8.71
SCE-8N8MPP	6.00	6.00	N1	9.83
SCE-10N8MPP	8.00	6.00	N1	11.58
SCE-10N10MPP	8.00	8.00	N1	13.47
SCE-12N10MPP	10.00	8.00	N1	15.11
SCE-12N12MPP	10.00	10.00	N1	15.94
SCE-14N12MPP	12.00	10.00	N1	17.14
SCE-16N12MPP	14.00	10.00	N1	19.25
SCE-16N16MPP	14.00	14.00	N1	22.58
SCE-20N16MPP	18.00	14.00	N1	26.46
SCE-20N20MPP	18.00	18.00	N1	30.55
SCE-24N16MPP	22.00	14.00	N1	30.55
SCE-24N20MPP	22.00	18.00	N1	36.52
SCE-24N24MPP	22.00	22.00	N1	53.44
SCE-30N24MPP	28.00	22.00	N1	68.13

NEMA 1 PERFORATED SUBPANEL



Catalog No.	Notes	Product Code	List Price
SCE-30N30MPP	28. Set of 4	N1	85.12
SCE-36N24MPP	34. Set of 6	N1	85.12
SCE-36N30MPP	34. Set of 8	N1	100.48



Phone (989) 799-6871
Fax (989) 799-4524

