

# FLOOR STAND AND HOLE LAYOUT

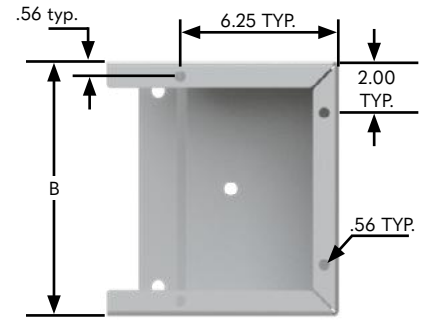


Carbon steel legs utilize 5/16-18 U-nuts

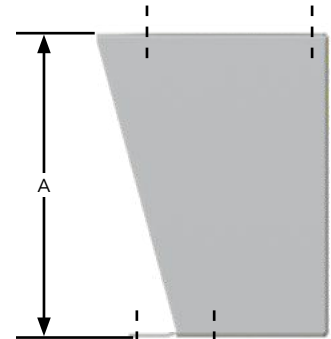


S.S. legs have 5/6-18 nuts pressed in place

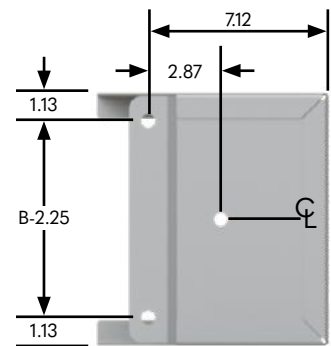
| PART #                     | A     | B     |
|----------------------------|-------|-------|
| SCE-FK608                  | 6.00  | 8.00  |
| SCE-FK0610                 | 6.00  | 10.00 |
| SCE-FK0612                 | 6.00  | 12.00 |
| SCE-FK0618                 | 6.00  | 18.00 |
| SCE-FK0624                 | 6.00  | 24.00 |
| SCE-FK1208<br>SCE-FK1208SS | 12.00 | 8.00  |
| SCE-FK1210<br>SCE-FK1210SS | 12.00 | 10.00 |
| SCE-FK1212<br>SCE-FK1212SS | 12.00 | 12.00 |
| SCE-FK1216<br>SCE-FK1216SS | 12.00 | 16.00 |
| SCE-FK1218<br>SCE-FK1218SS | 12.00 | 18.00 |
| SCE-FK1220<br>SCE-FK1220SS | 12.00 | 20.00 |
| SCE-FK1224<br>SCE-FK1224SS | 12.00 | 24.00 |
| SCE-FK1512<br>SCE-FK1512SS | 15.00 | 12.00 |
| SCE-FK1516                 | 15.00 | 16.00 |
| SCE-FK1518<br>SCE-FK1518SS | 15.00 | 18.00 |
| SCE-FK1524<br>SCE-FK1524SS | 15.00 | 24.00 |
| SCE-FK1808                 | 18.00 | 8.00  |
| SCE-FK1810                 | 18.00 | 10.00 |
| SCE-FK1812                 | 18.00 | 12.00 |
| SCE-FK1816                 | 18.00 | 16.00 |
| SCE-FK1824                 | 18.00 | 24.00 |
| SCE-FK2410SS               | 24.00 | 10.00 |
| SCE-FK2412SS               | 24.00 | 12.00 |



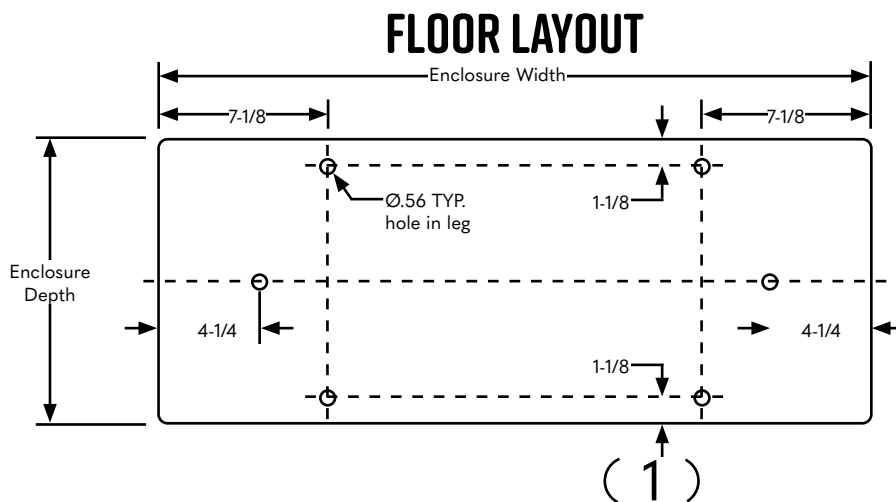
TOP VIEW OF LEG



SIDE VIEW OF LEG



SIDE VIEW OF LEG



# WALL MOUNT ENCLOSURES

**A wall mount enclosure does not have the strength to carry a large amount of stress solely by the enclosure bottom.**

When wall mount enclosures are mounted to floor stands, it must be **additionally** anchored at the top or well above the center of gravity. Wall mount enclosures do not have the strength to be secured exclusively by only the enclosure bottom to the floor stand kit. Anchoring the wall mount will prevent the enclosure from flexing and twisting that would cause damage and fatigue to the enclosures bottom. The larger the enclosure is, the greater the stress and risk of damage becomes.



**NOTES:**

1. Maximum unsupported span is 120.00"
2. Floor kits must be shipped loose

**LOAD CAPACITY:**

- 1 set- 3,000 lbs at max height "A" of 18"  
2 sets- 6,000 lbs at max height "A" of 18"

