

Enviroline® Series Junction Enclosures with Viewing Window

Application -

Designed to house electrical controls, instruments and components that require unrestricted viewing of the gauges or controls, in areas which may be regularly hosed down or are in very wet or oily conditions. Provides protection from dust, dirt, oil, and water. For installation information, consult our Installation Manual at www.saginawcontrol.com.

Construction -

- 0.063" carbon steel.
- Seams continuously welded and ground smooth.
- Flange trough collar around all sides of door opening.
- Oil-resistant gasket.
- 0.25" polycarbonate viewing window.
- Standoffs provided for mounting optional sub-panels.
- Removable hinge.
- Doors open 180 degrees.
- Black mini quarter turn latches.
- Latches are opened or closed with a screwdriver.
- Sealing washers and hole plugs included.
- Ground stud on door & body.
- Mounting feet included.

Finish -

ANSI-61 gray powder coated inside and out. Optional sub-panels powder coated white.

Notes -

Recommend use as Type 3R rating in full outdoor exposure and extreme weather environments.

For more details see *Design Considerations When Specifying Your Enclosure* on our website.

IS4 - Industry Standards -

NEMA Type 3R, 4, 12 & Type 13
UL Listed Type 3R, 4, & 12
CSA Type 3R, 4 & 12
IEC 60529 IP66

***Special Instructions apply for IS3, IS4 and IS6 to maintain the environmental rating of Type 3R for these parts. See the Special Instructions on the Industry Standards page in the Technical Information Section.

ENVIROLINE® SERIES JUNCTION ENCLOSURES WITH VIEWING WINDOW

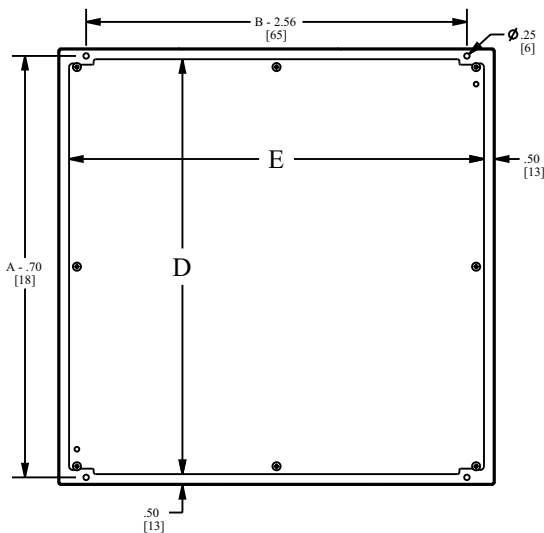
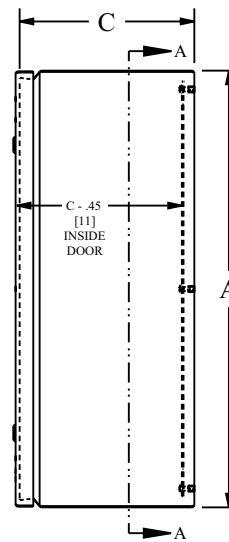
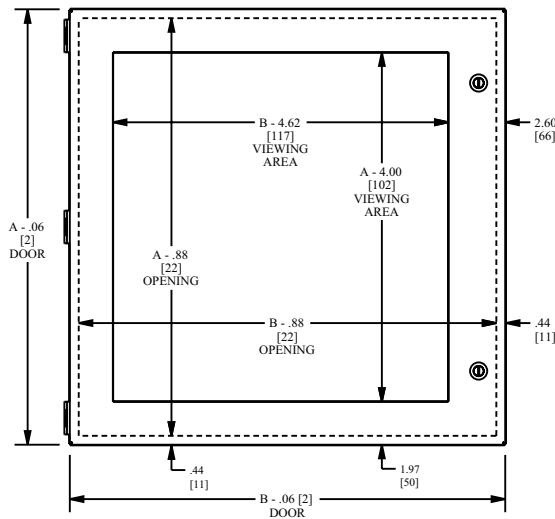
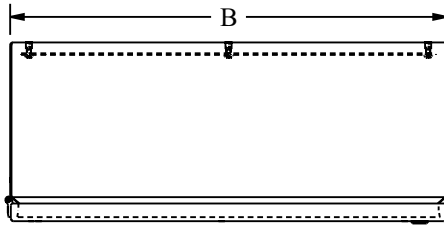
ENCLOSURE PRODUCT CODE E1							SUB-PANEL (P3)	
Catalog No.	Height (A)	Width (B)	Depth (C)	Window Viewing Size	Industry Standard	List Price	Catalog No.	List Price
SCE-1008ELJW	10.00	8.00	4.00	6.00 x 3.375	IS4	119.76	SCE-10P8	5.70
SCE-10086ELJW	10.00	8.00	6.00	6.00 x 3.375	IS4	126.12	SCE-10P8	5.70
SCE-1210ELJW	12.00	10.00	6.00	8.00 x 5.375	IS4	138.48	SCE-12P10	7.72
SCE-12108ELJW	12.00	10.00	8.00	8.00 x 5.375	IS4	150.72	SCE-12P10	7.72
SCE-1614ELJW	16.00	14.00	6.00	12.00 x 9.375	IS4	193.82	SCE-16P14	19.95
SCE-16148ELJW	16.00	14.00	8.00	12.00 x 9.375	IS4	204.42	SCE-16P14	19.95
SCE-20208ELJW	20.00	20.00	8.00	16.00 x 15.375	IS4	242.20	SCE-20P20J	35.44



Phone (989) 799-6871
Fax (989) 799-4524



ENVIROLINE® SERIES JUNCTION ENCLOSURES WITH VIEWING WINDOW TECHNICAL DATA



SECTION A-A

LATCH NOTES:
One latch centered on the door vertically if height is ≤ 14.00 [356]

Two latches located 3.00 [76] from top & bottom of door if height is > 14.00 [356]