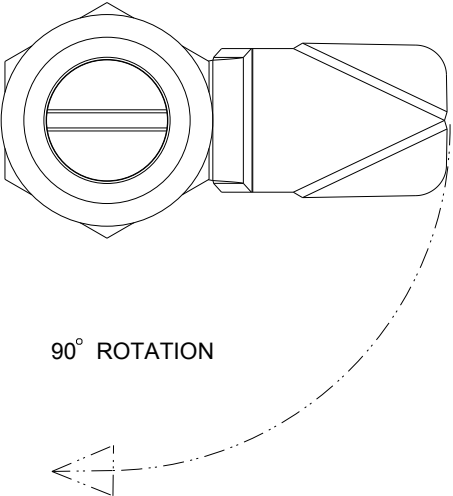
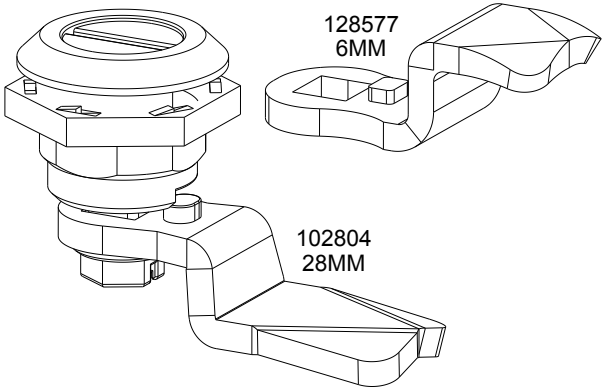


SAGINAW CONTROL & ENGINEERING

SCE-DLSBB



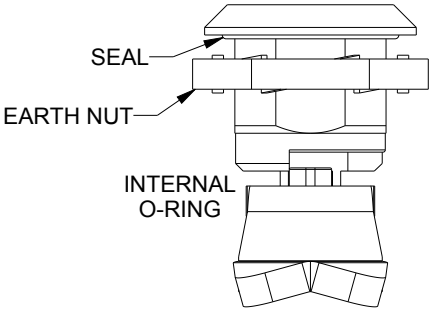
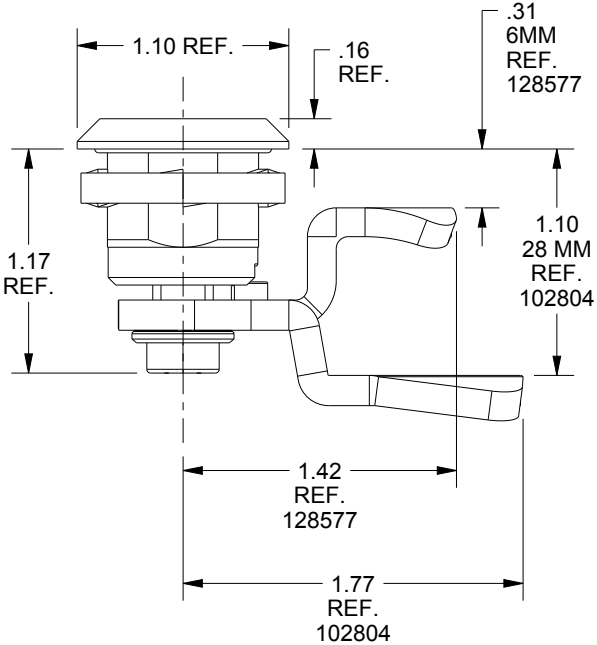
90° ROTATION



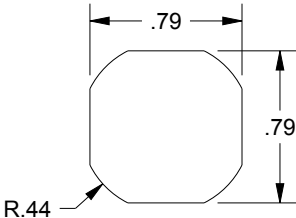
128577
6MM

102804
28MM

EXTERNAL CAM STOP
IS REQUIRED



TO MAINTAIN TYPE
3, 3R, 4, 4X & 12



CUTOUT DETAIL

DESCRIPTION:
QUARTER TURN, SLOTTED INSERT, OPEN POSITION,
EXTERNAL CAM STOP, 28MM AND 6MM CAM INCLUDED.
ZINC DIE CAST, BLACK TEXTURED