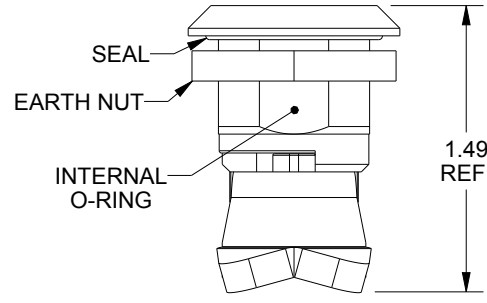
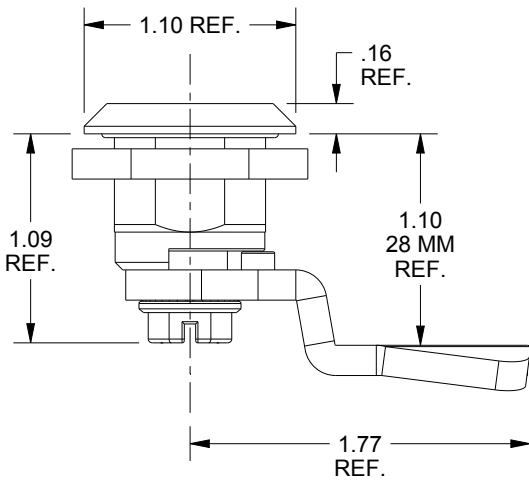
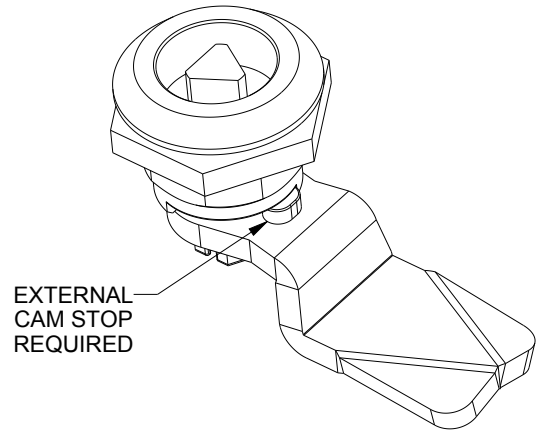
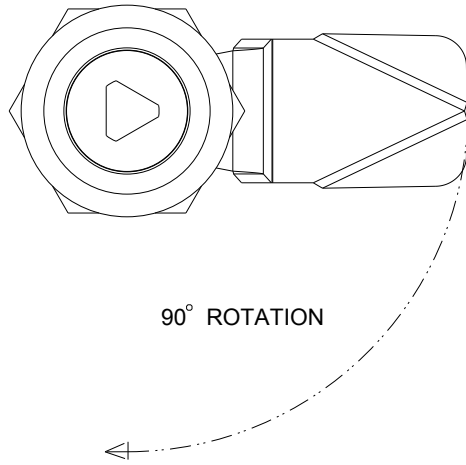
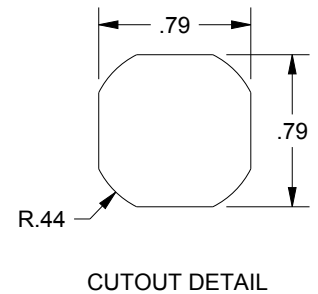


SAGINAW CONTROL & ENGINEERING

SCE-DL7TE, PART I.D. 100934



TO MAINTAIN TYPE
3, 3R, 4, 4X & 12



DESCRIPTION:
QUARTER TURN, 7 MM TRIANGULAR INSERT W/ KEY,
EXTERNAL CAM STOP, CAM INCLUDED 28 MM.
ZINC DIE CAST, CHROME