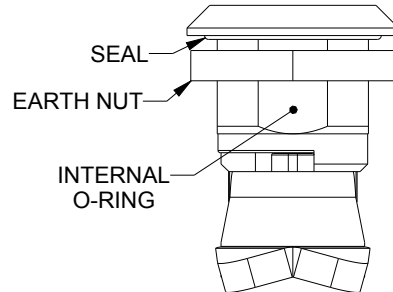
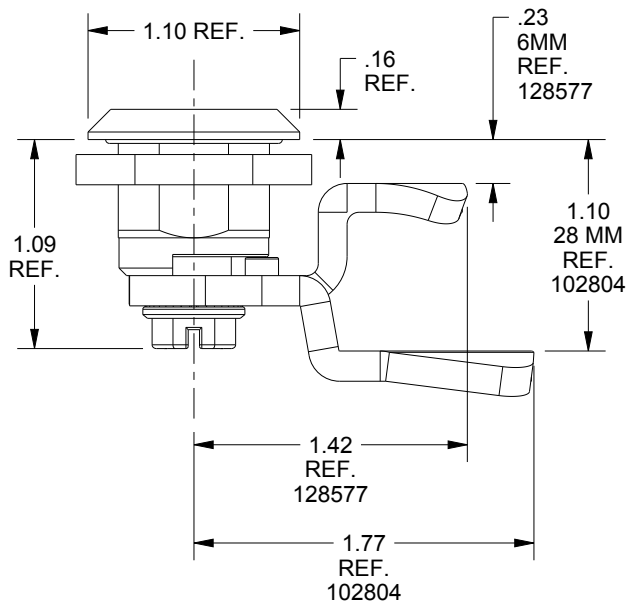
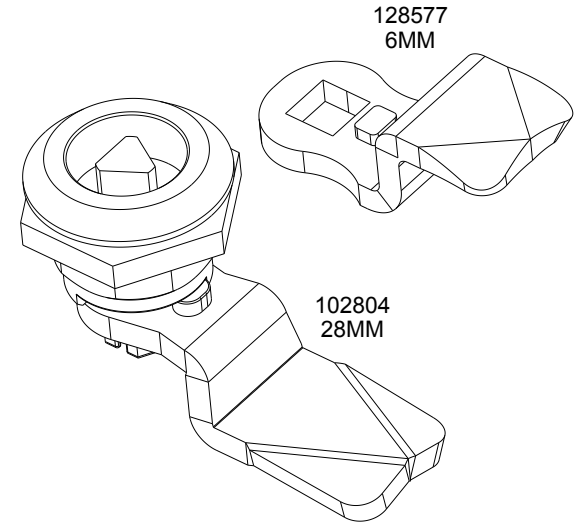
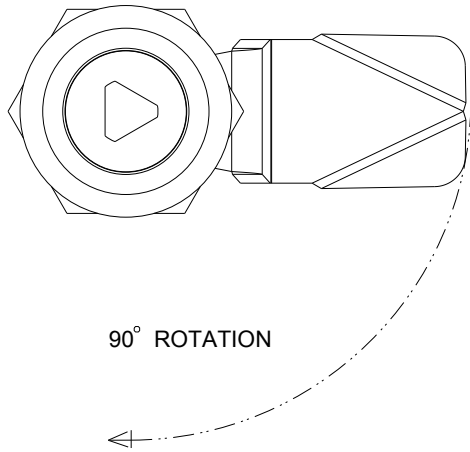
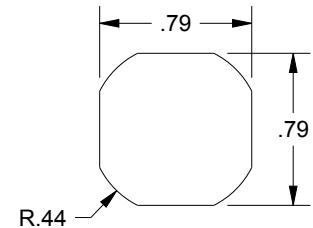


SAGINAW CONTROL & ENGINEERING

SCE-DL7TE



EXTERNAL CAM STOP
IS REQUIRED



TO MAINTAIN TYPE
3, 3R, 4, 4X & 12

CUTOUT DETAIL

DESCRIPTION:
QUARTER TURN, 7 MM TRIANGULAR INSERT W/ KEY,
EXTERNAL CAM STOP, 28MM AND 6MM CAMS INCLUDED.
ZINC DIE CAST, CHROME