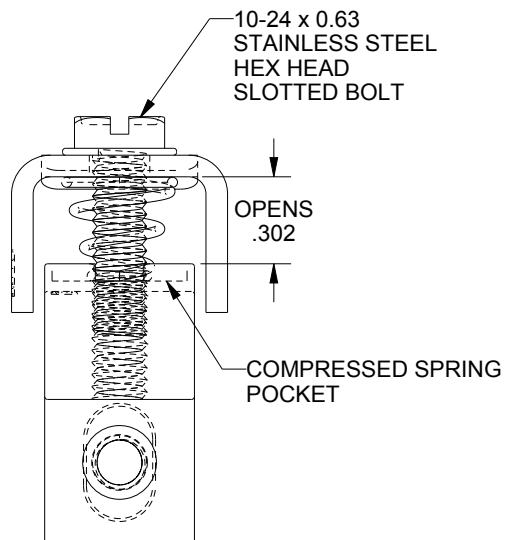
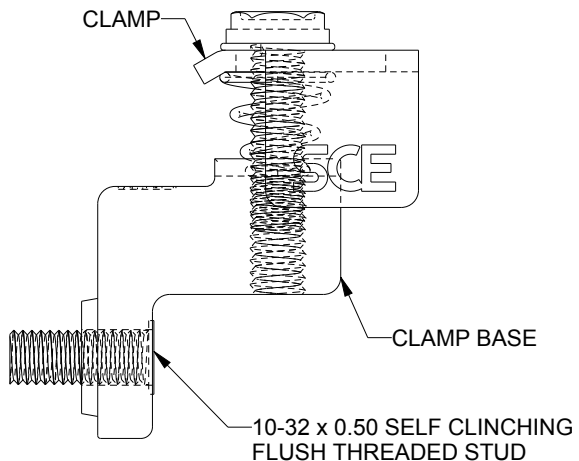
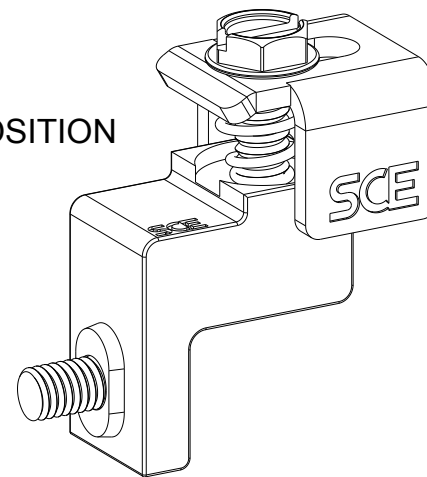


**OPEN POSITION**

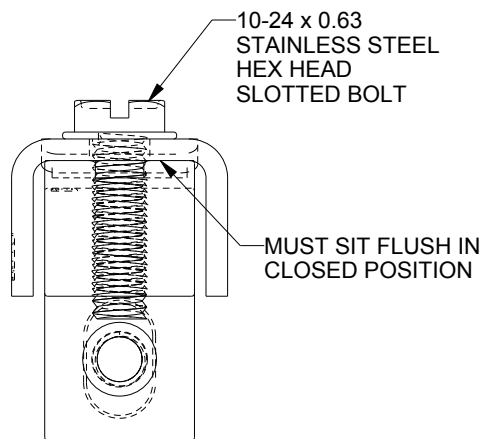
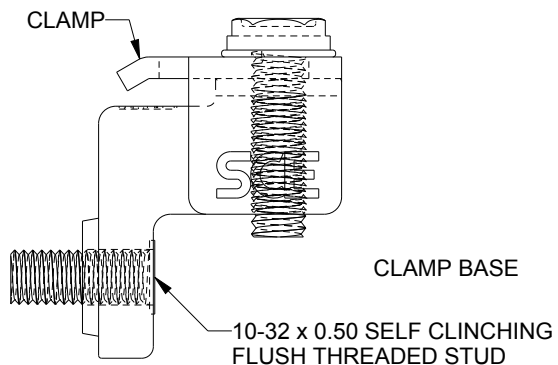
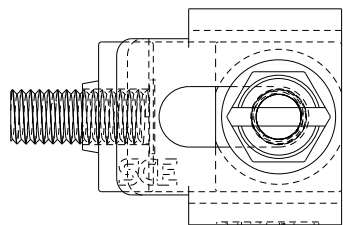


| ITEM | QTY | PART DESCRIPTION   |
|------|-----|--|
| 1    | 1   | Base, CH Style, Zamak 5 With Trivalent Cromate and Topcoat Sealer    |
| 2    | 1   | Clamp, Sliding, CH Style, 0.075" Type 304 Stainless Steel            |
| 3    | 1   | Screw, Flanged, Hex Head, Slotted, 10-24 x 5/8", 304 Stainless Steel |
| 4    | 1   | Self Clinching Flush Head Stud 10-32 X 1/2", Zinc Plated Steel       |
| 5    | 1   | Sprint, 0.035 Dia., 304 Stainless Steel                              |

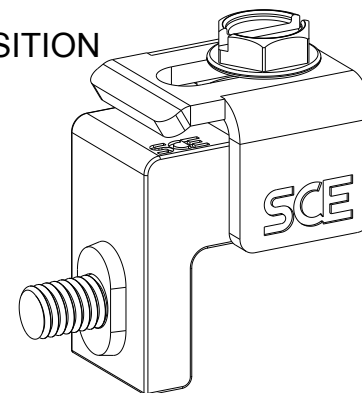
**OPEN POSITION**



**CLOSED POSITION**



**CLOSED POSITION**



**TOLERANCES**

UNLESS SPECIFIED  
 LINEAR: 0.XX ± 0.020  
 LINEAR: 0.XXX ± 0.010

DRAWN BY: Kajdan

DATE: 10/07/15

MATERIAL UNLESS SPECIFIED  
 ZAMAK 5, TRIVALENT CROMATE  
 AND TOPCOAT SEALER

CUSTOMER: SAGINAW CONTROL & ENGINEERING

PART NUMBER: SCE-CHCLAMP

COMPONENT: ASSEMBLY  
 SHEET: 1 OF 1

REV: --



Your Enclosure Source®

| BY | REV. | DESCRIPTION OF CHANGES | DATE |
|----|------|------------------------|------|
|    |      |                        |      |