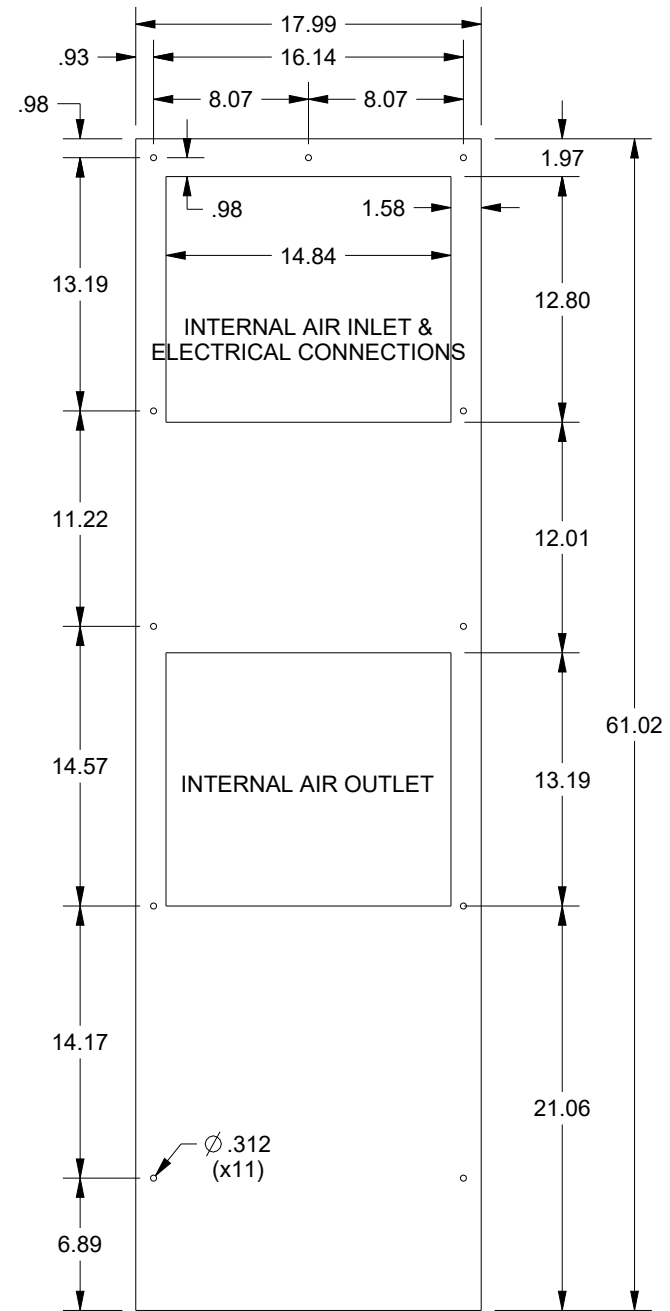
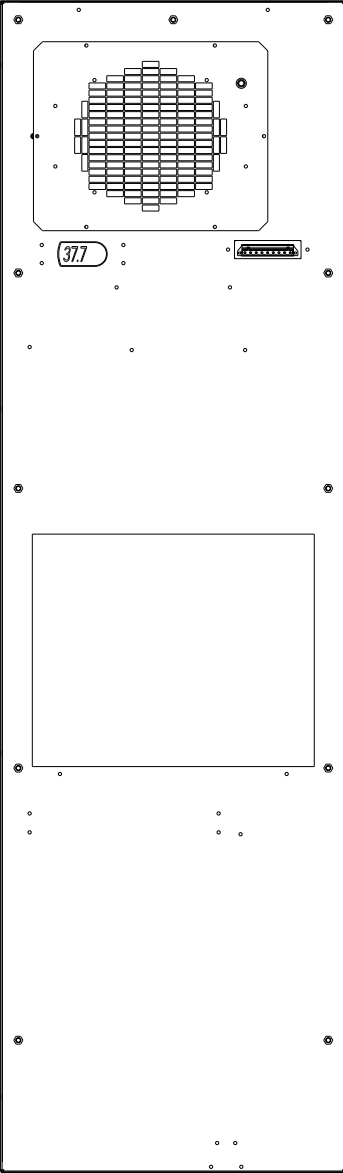
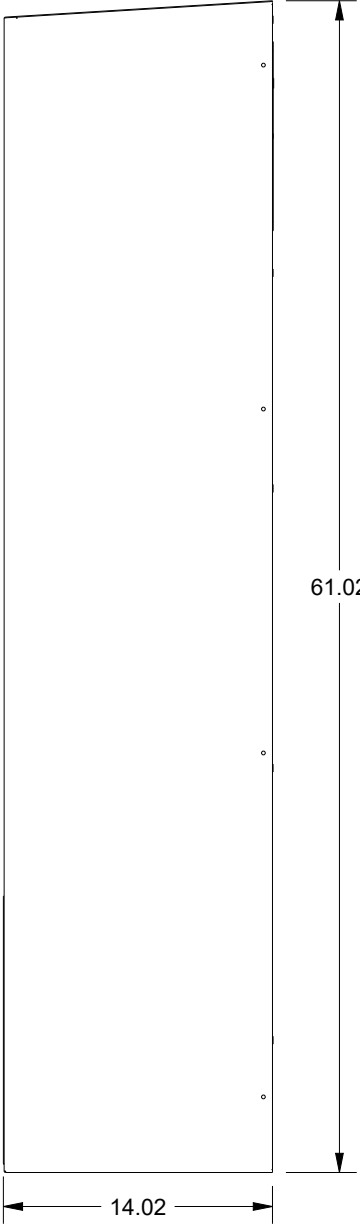
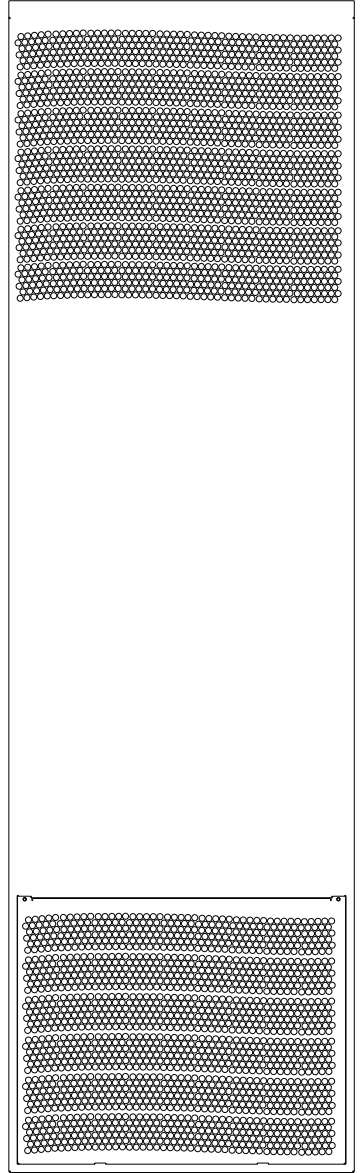
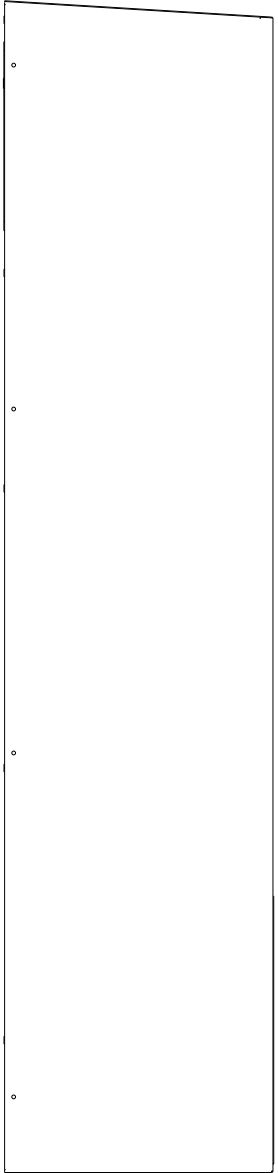
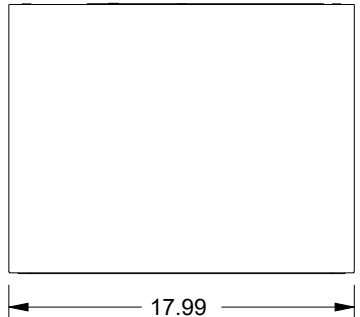


SAGINAW CONTROL & ENGINEERING

SCE-AC10200B230V



MOUNTING PATTERN

