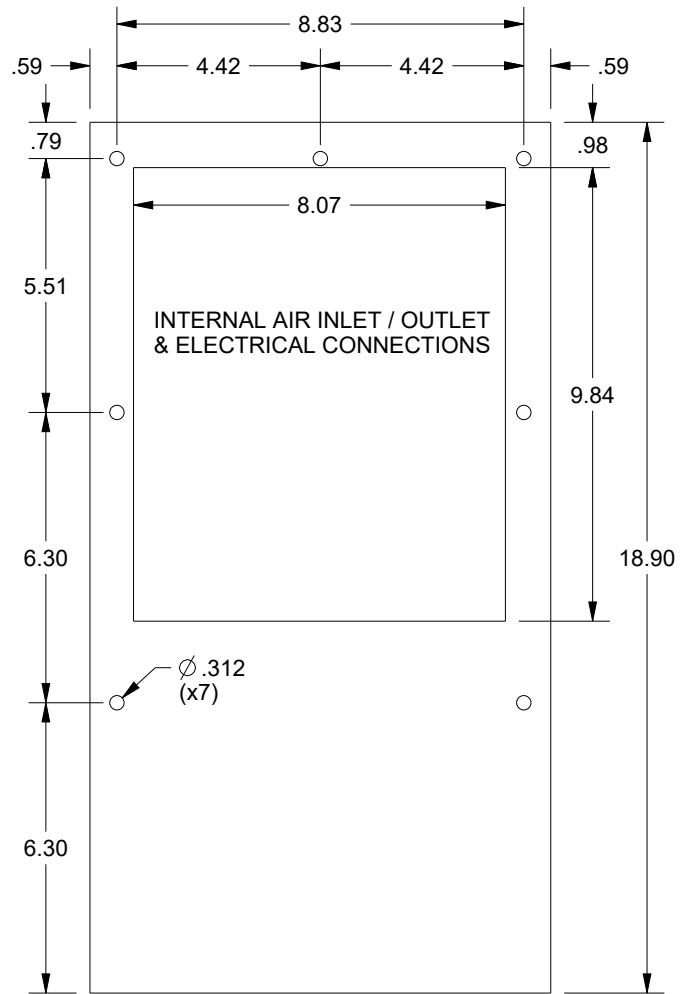
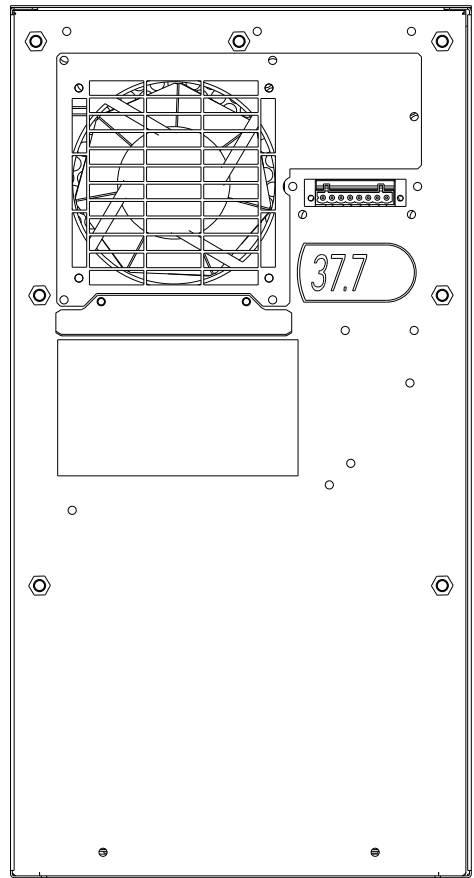
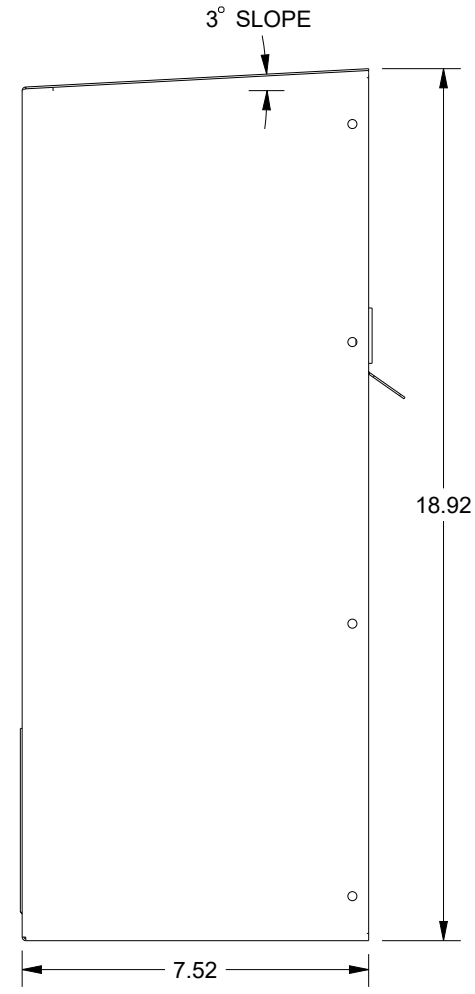
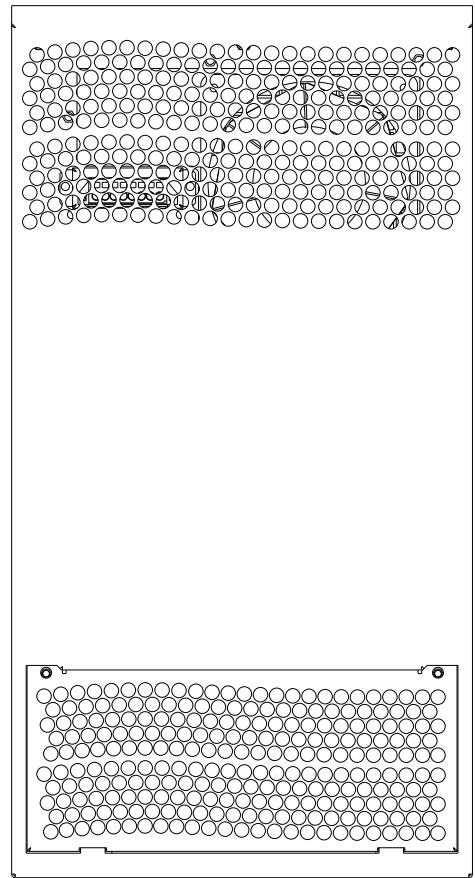
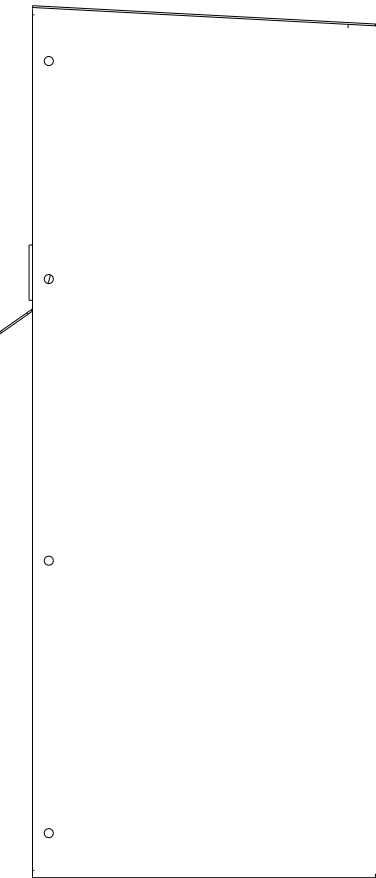
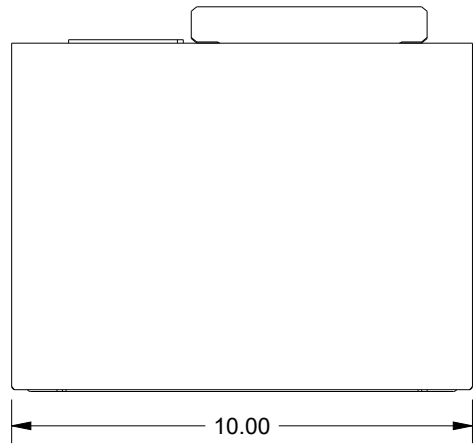


SAGINAW CONTROL & ENGINEERING

SCE-AC1000B230VSS6



MOUNTING PATTERN

