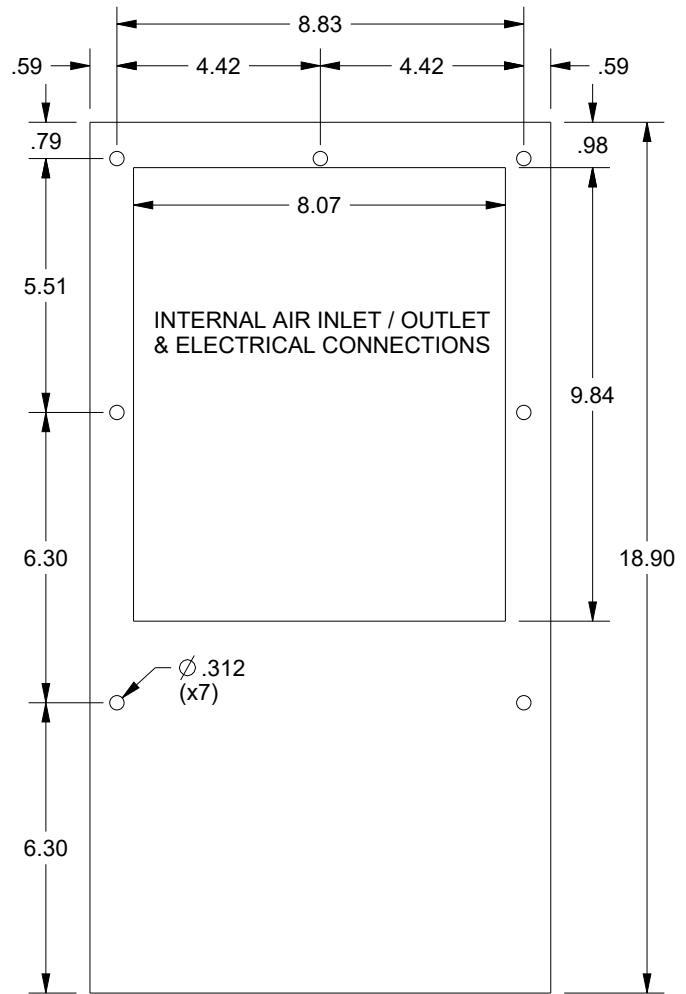
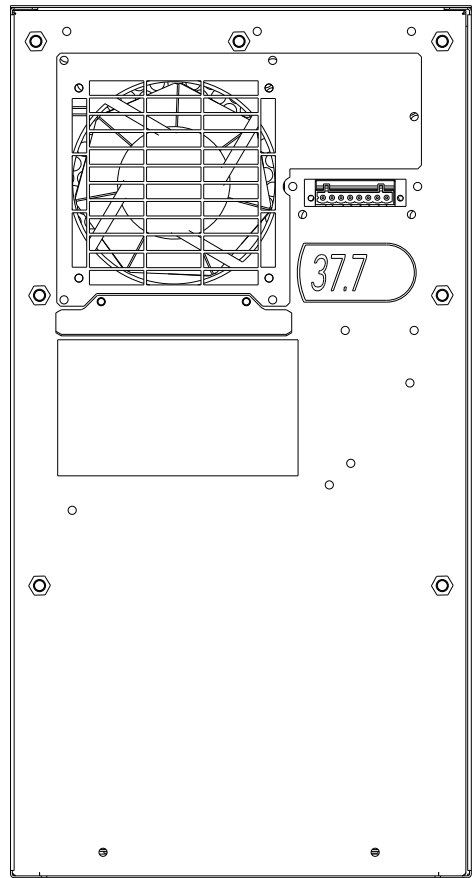
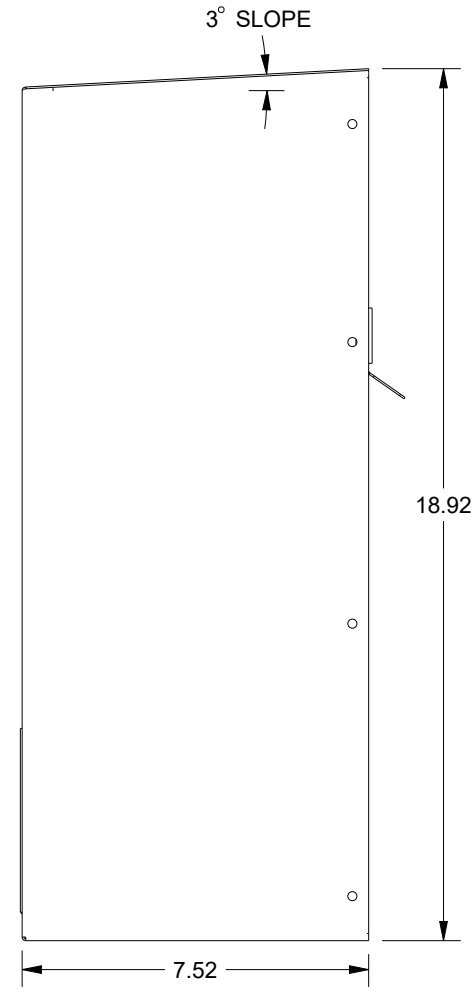
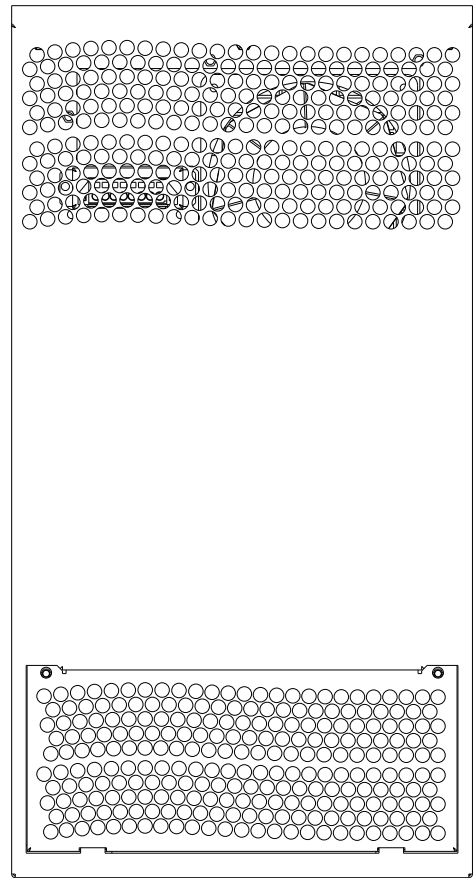
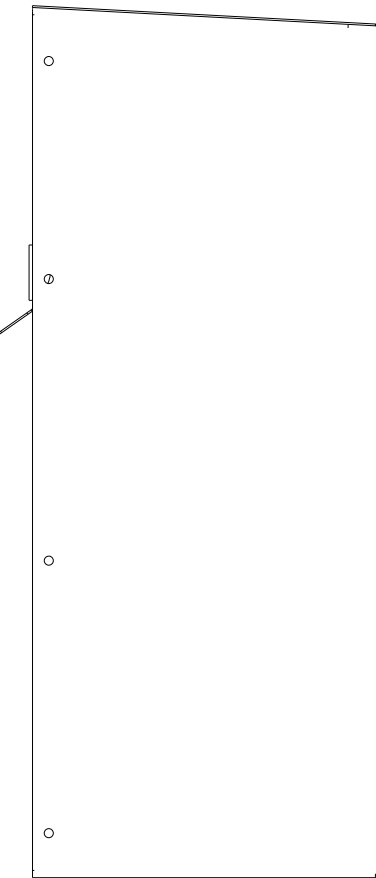
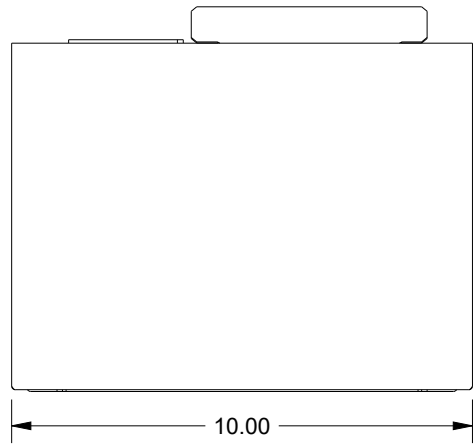


# SAGINAW CONTROL & ENGINEERING

## SCE-AC1000B230V



MOUNTING PATTERN

