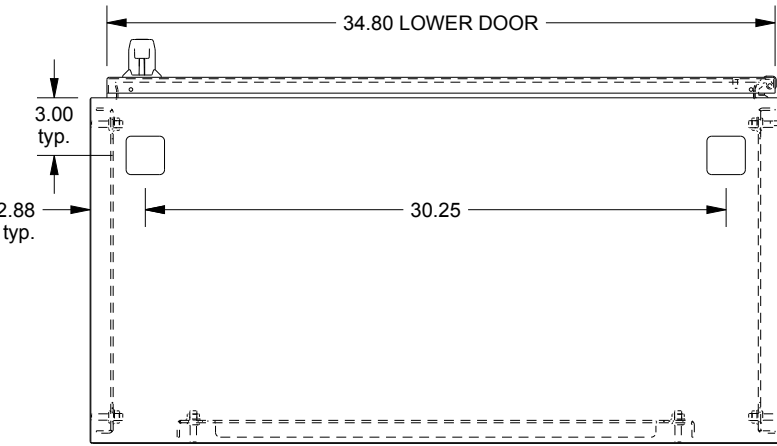


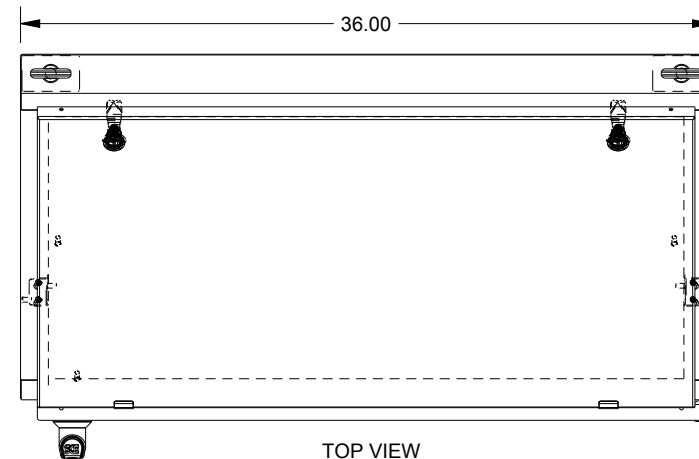
# SAGINAW CONTROL & ENGINEERING

## SCE-936B

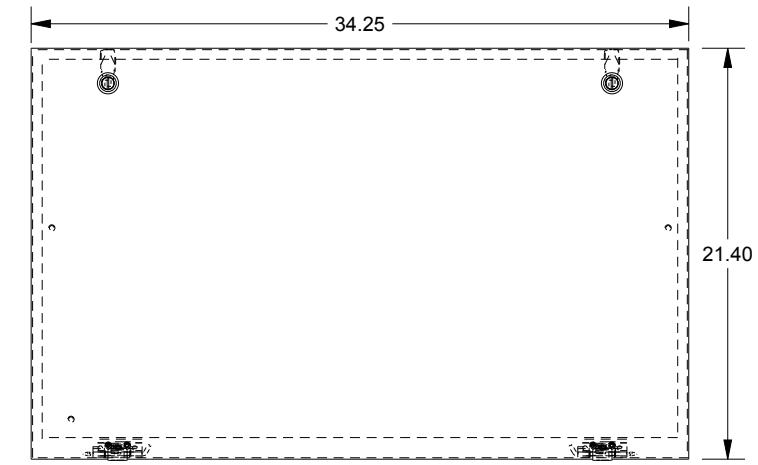
WASH SYSTEM 2" SQUARE DRAIN HOLES IN THE BOTTOM WITH UL APPROVED HOLE SEALS PROVIDED



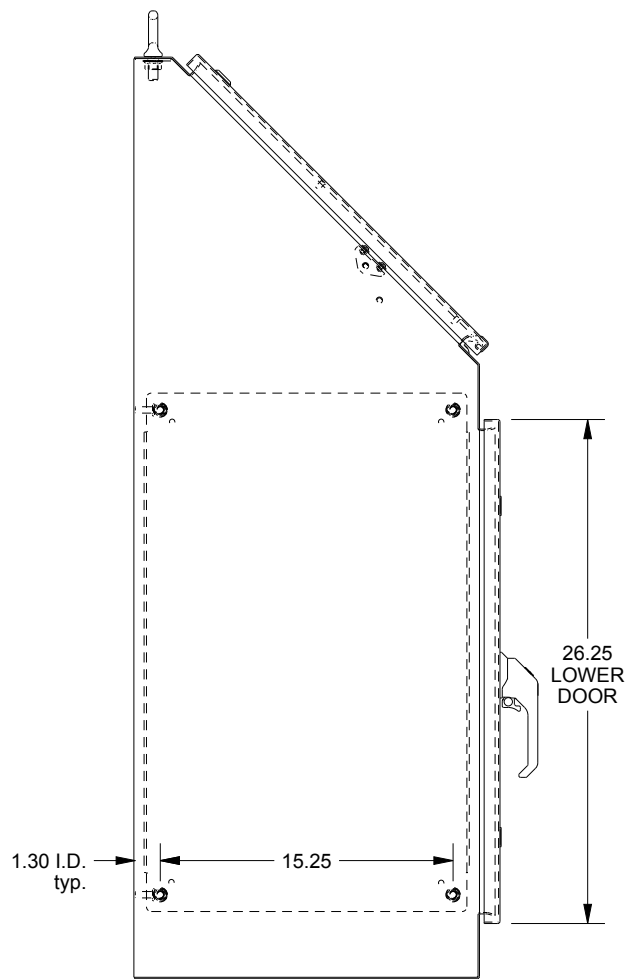
BOTTOM VIEW



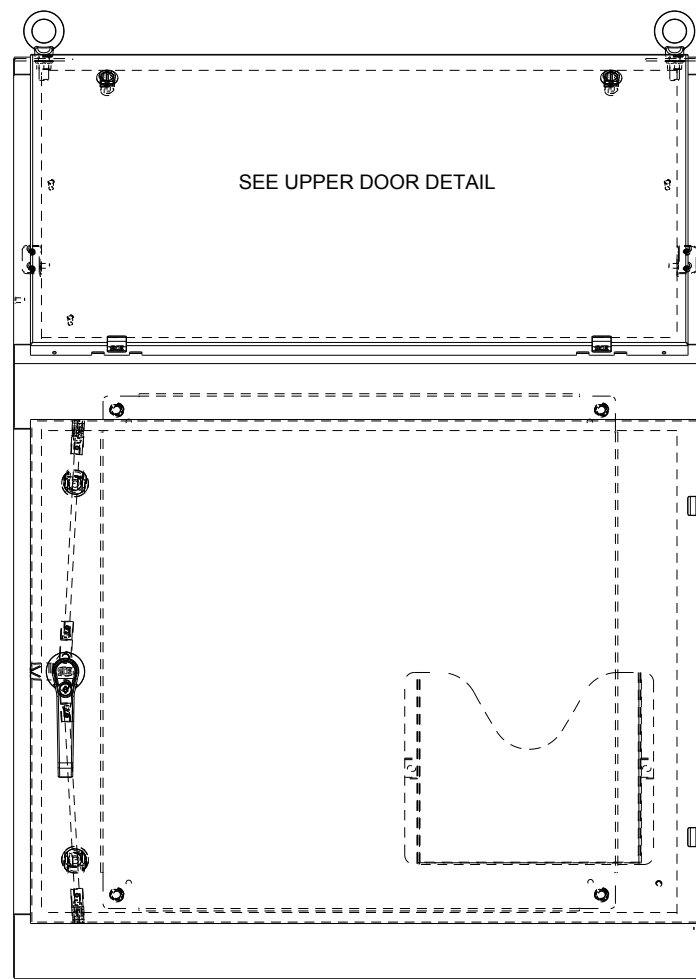
TOP VIEW



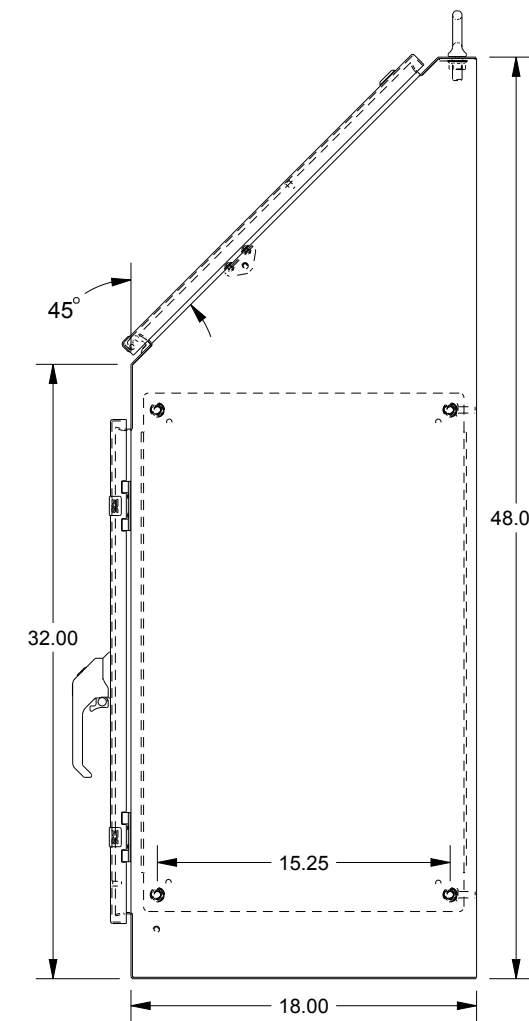
UPPER DOOR DETAIL



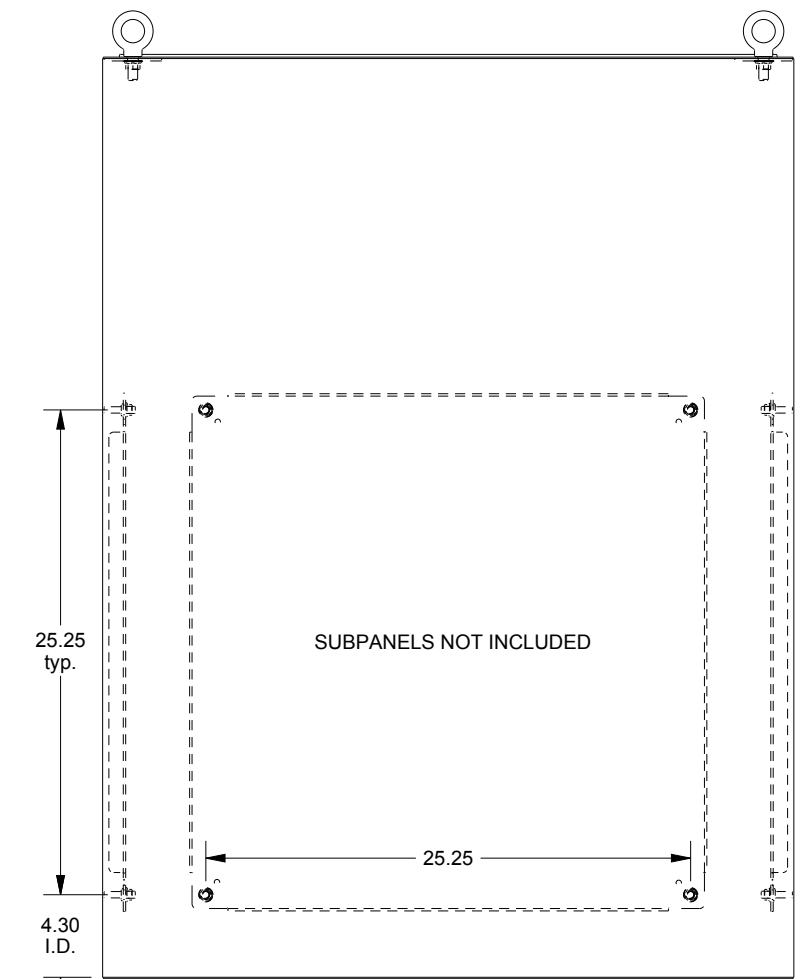
LEFT SIDE VIEW



FRONT VIEW



RIGHT SIDE VIEW



EXTERNAL REAR VIEW