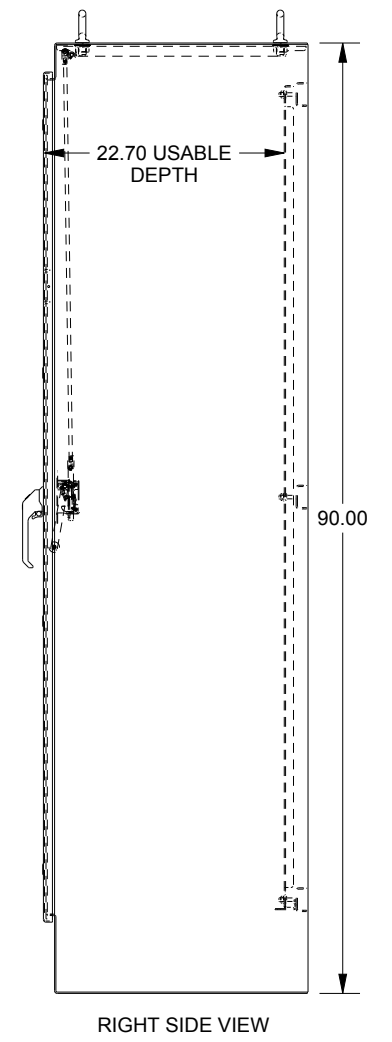
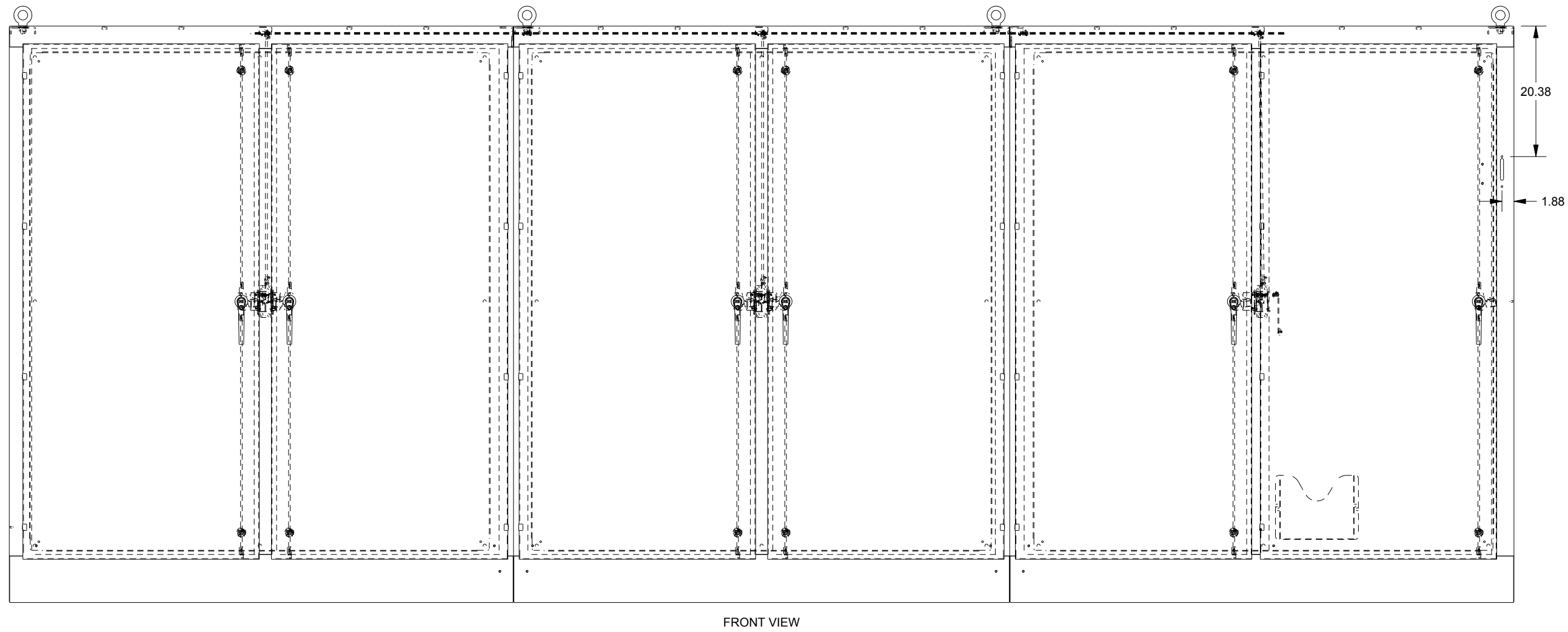
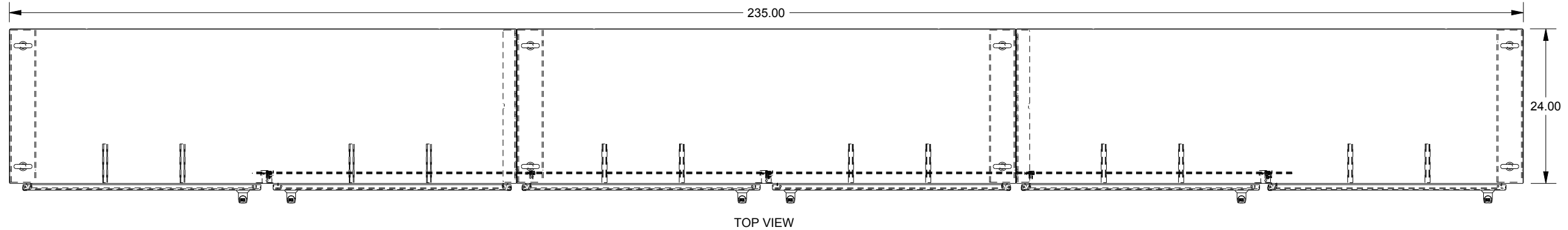


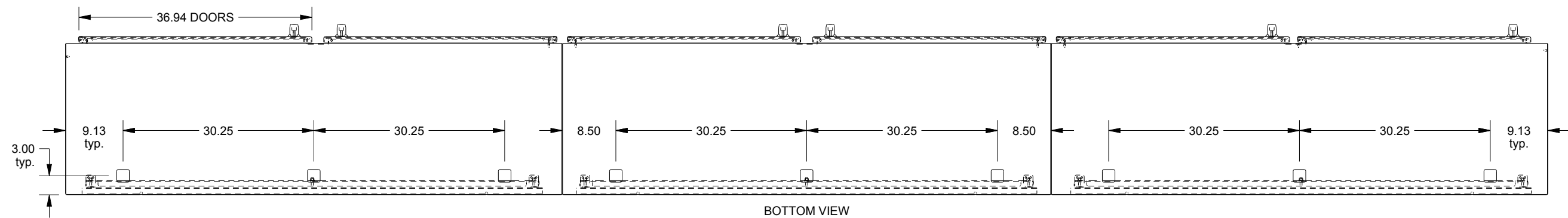
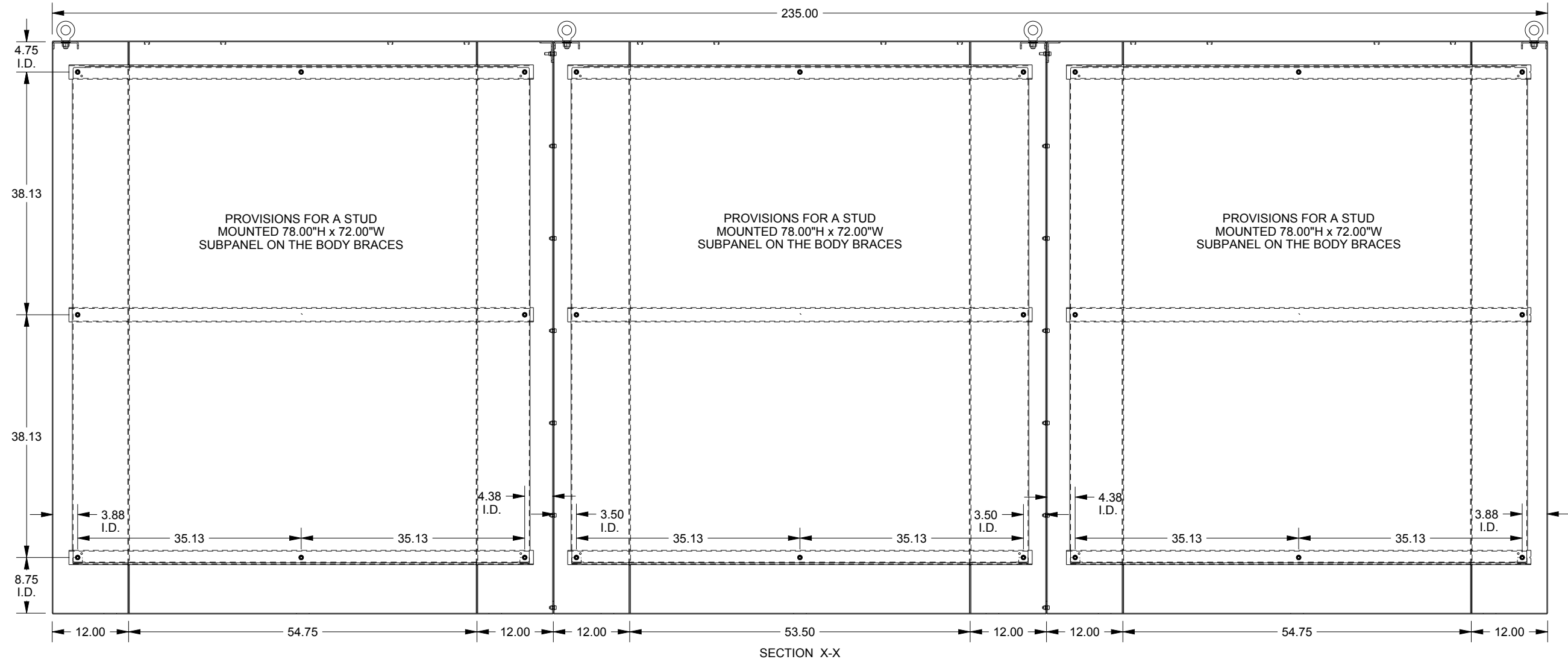
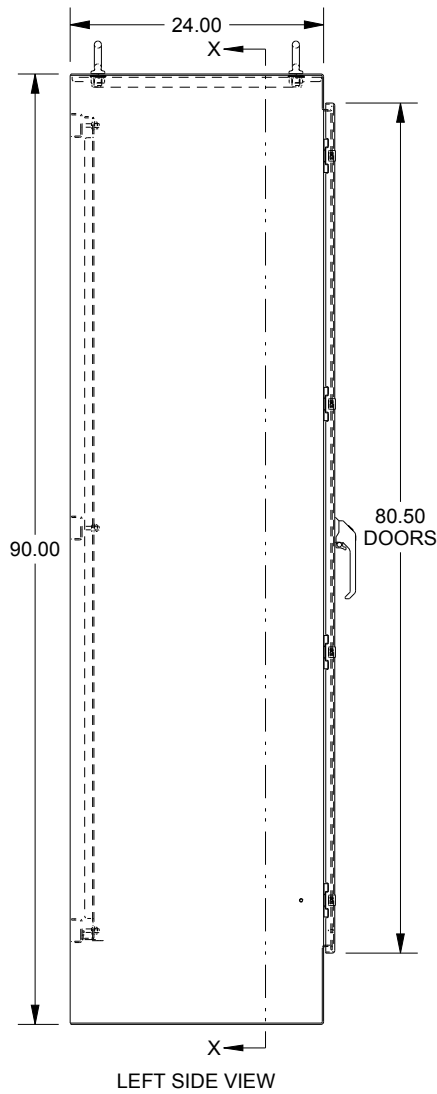
# SAGINAW CONTROL & ENGINEERING

## SCE-90XM6EW24 SHT.1 OF 2



# SAGINAW CONTROL & ENGINEERING

## SCE-90XM6EW24 SHT.2 OF 2



WASH SYSTEM 2" SQUARE DRAIN HOLES IN THE BOTTOM WITH UL APPROVED HOLE SEALS PROVIDED