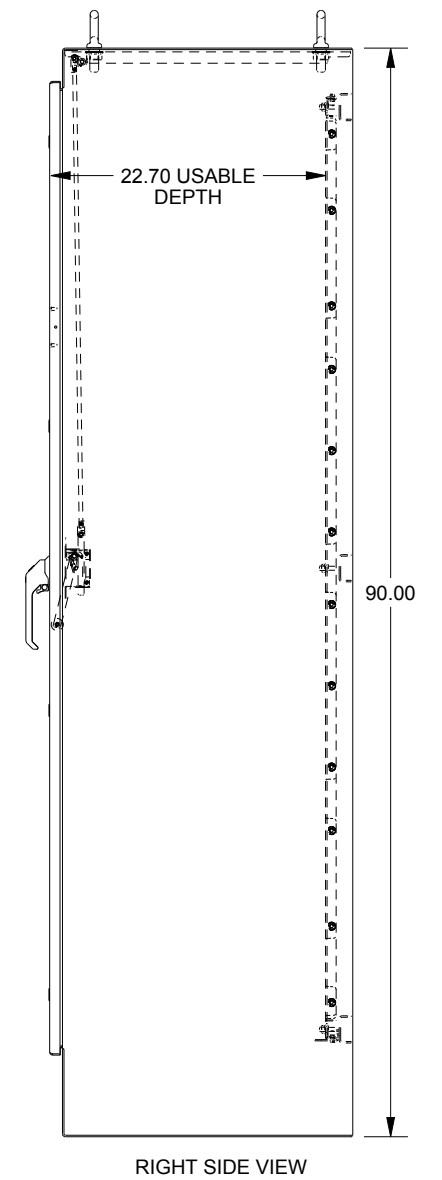
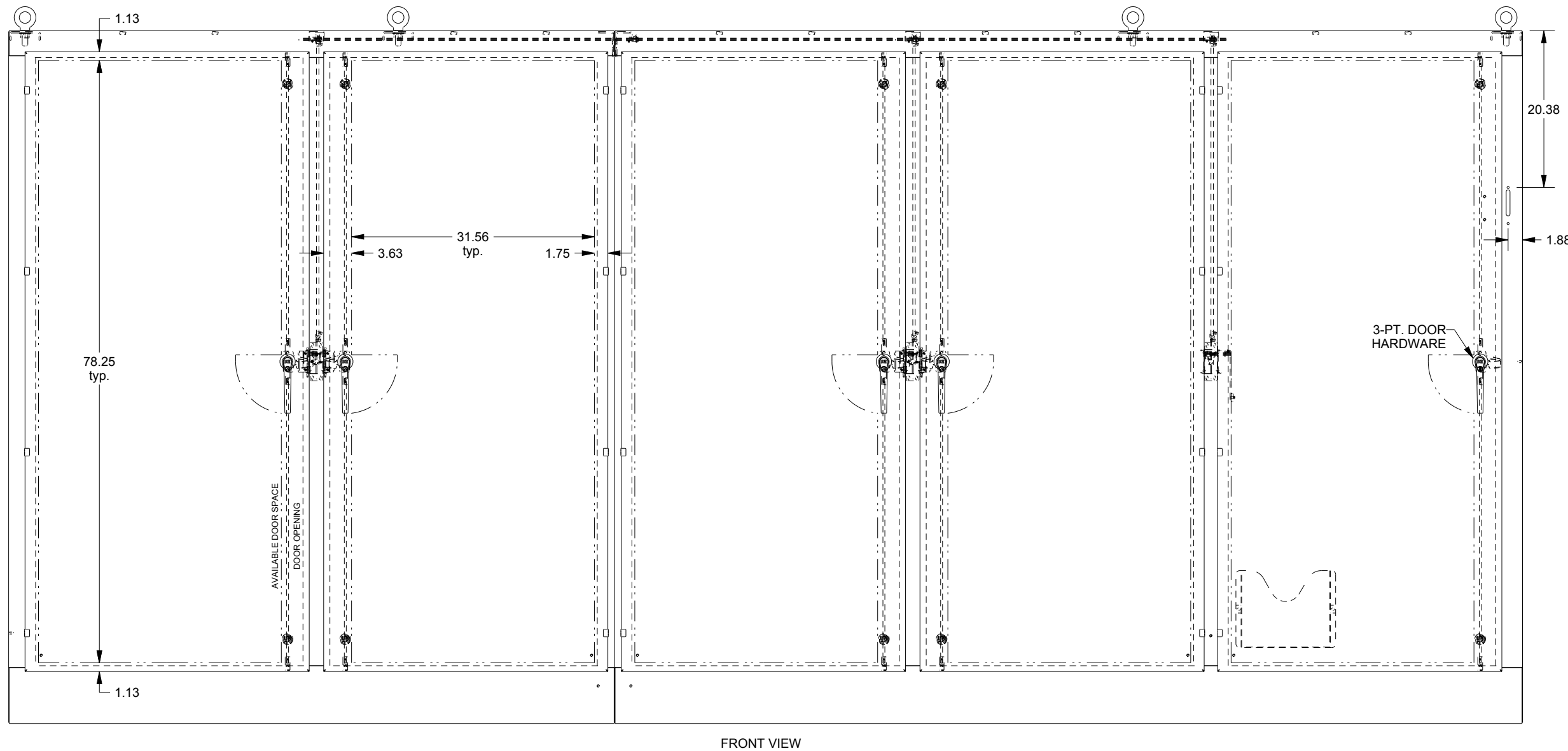
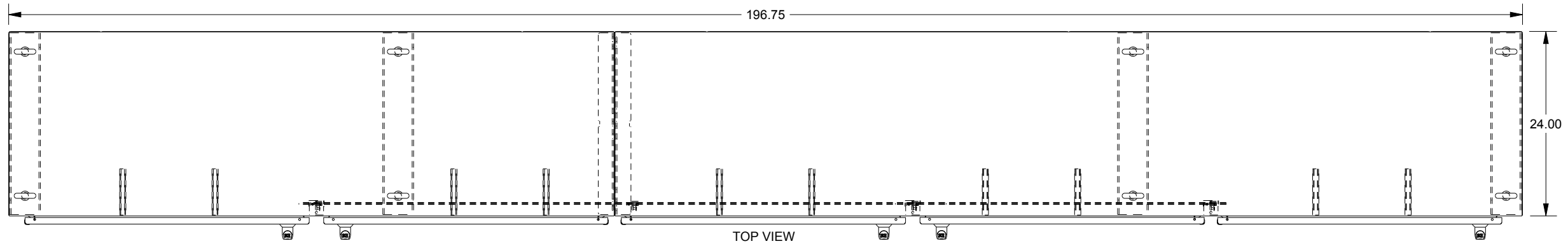


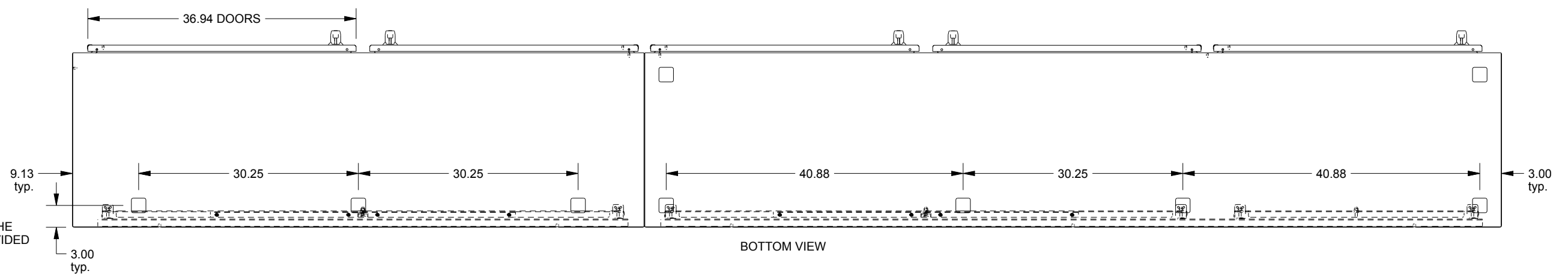
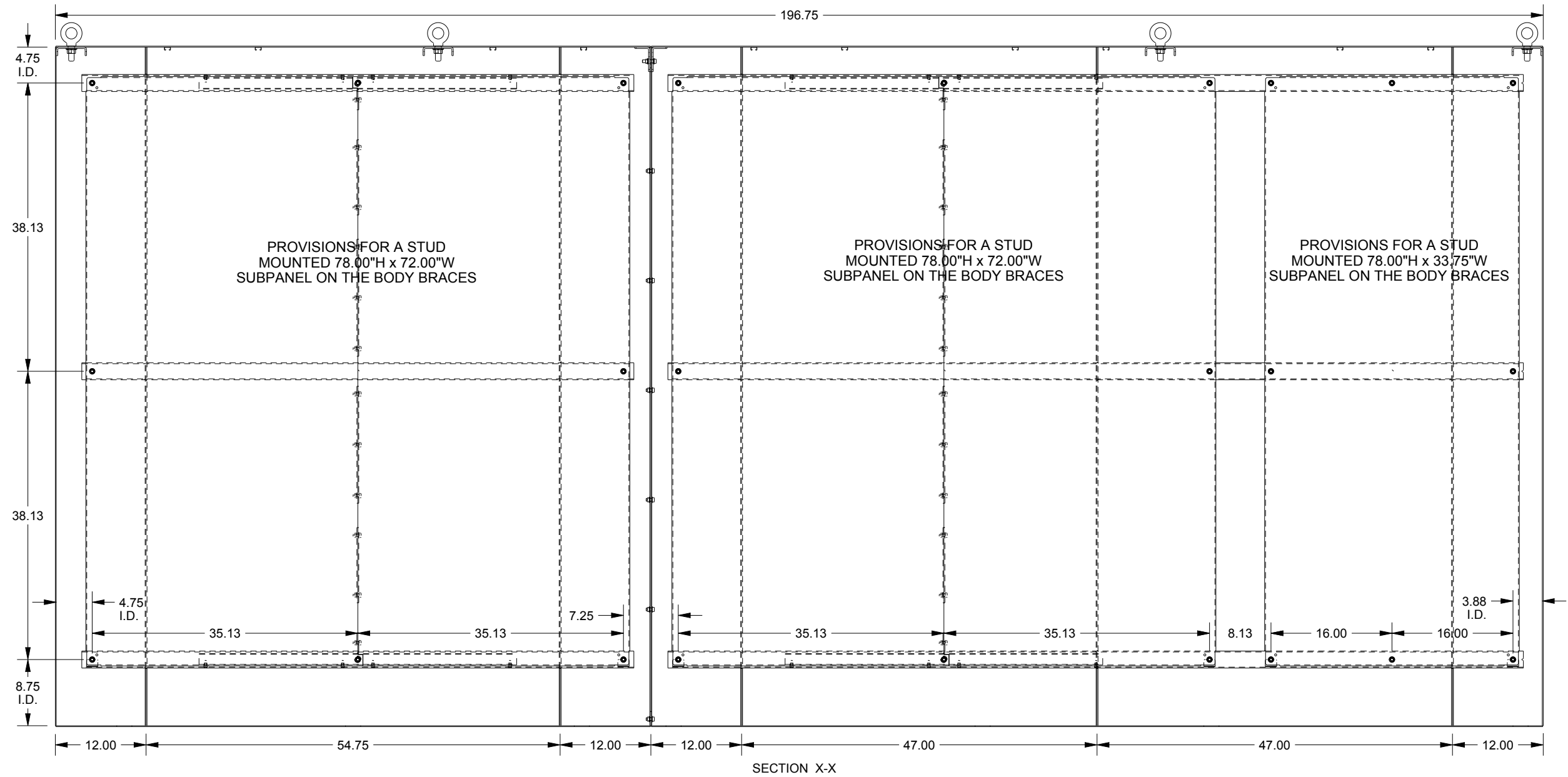
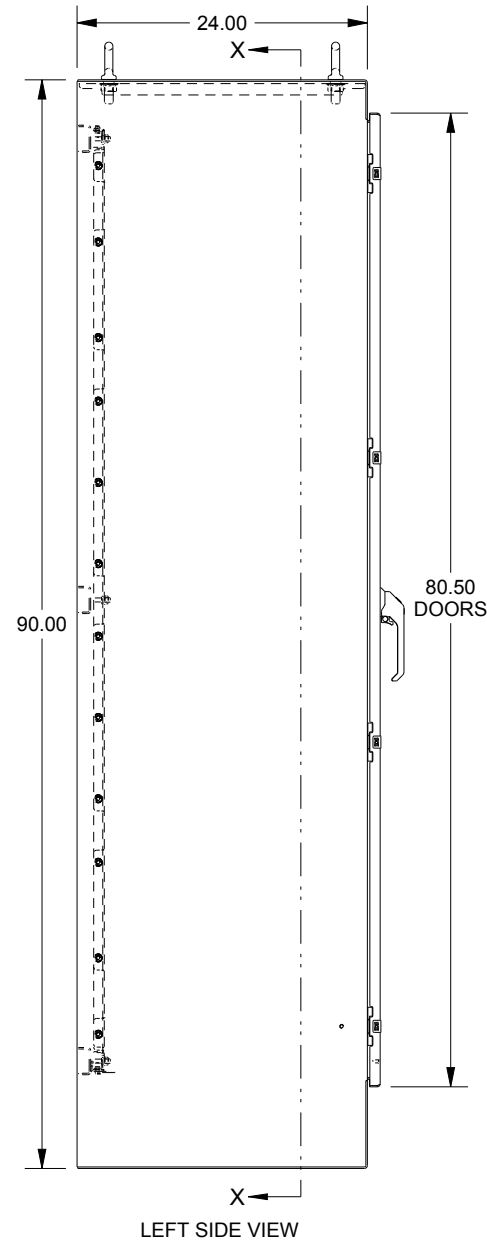
SAGINAW CONTROL & ENGINEERING

SCE-90XM5EW24G SHT.1 OF 2



SAGINAW CONTROL & ENGINEERING

SCE-90XM5EW24G SHT.2 OF 2



WASH SYSTEM 2" SQUARE DRAIN HOLES IN THE BOTTOM WITH UL APPROVED HOLE SEALS PROVIDED