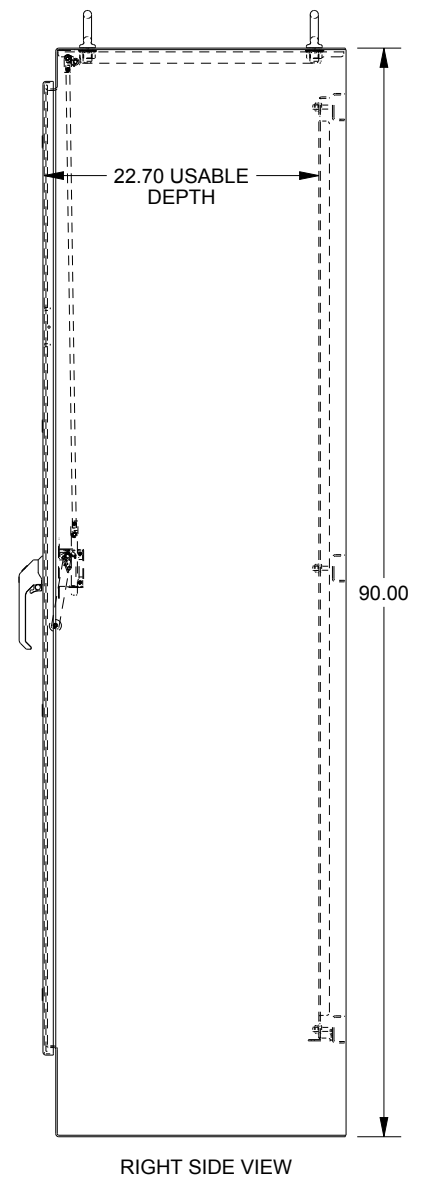
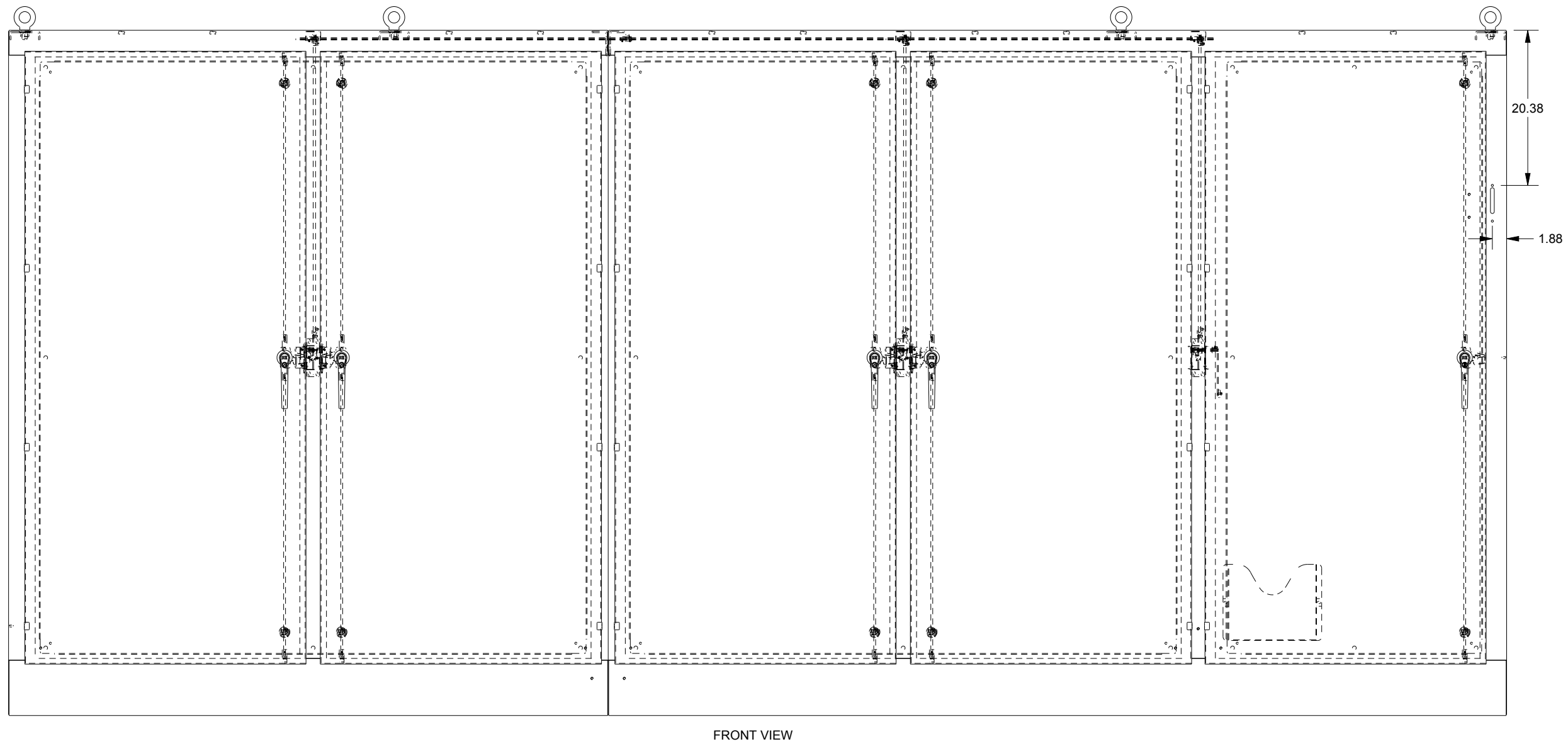
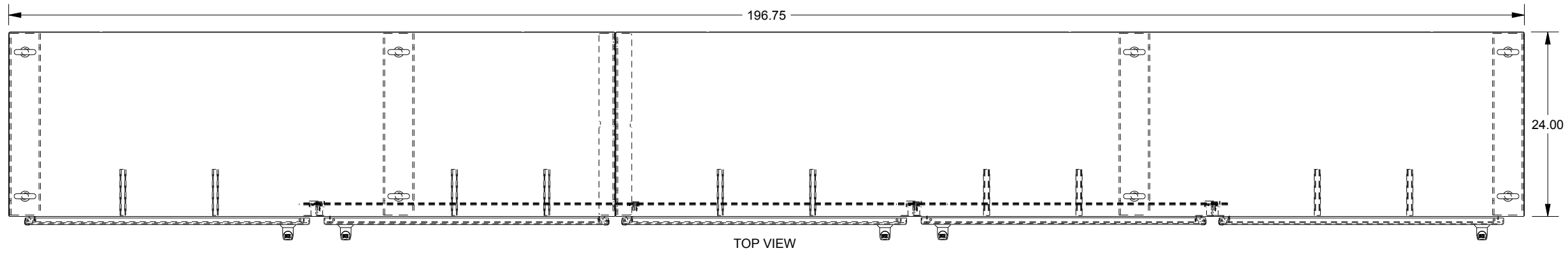


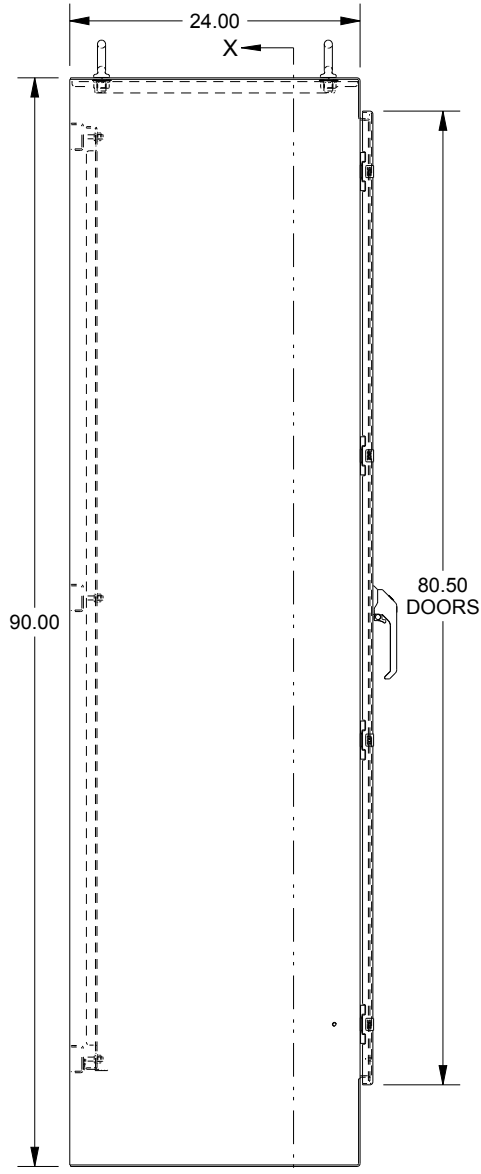
# SAGINAW CONTROL & ENGINEERING

## SCE-90XM5EW24 SHT.1 OF 2

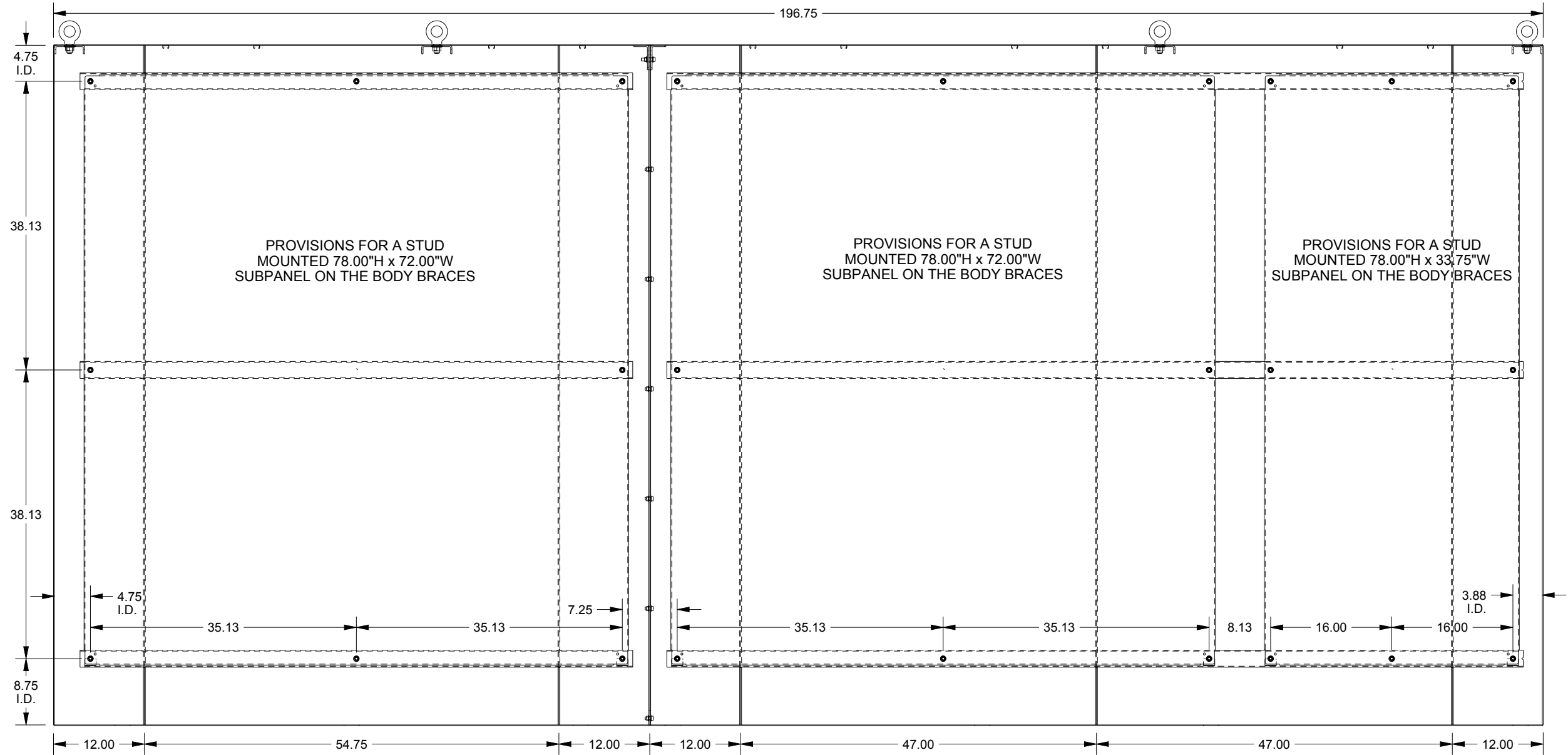


# SAGINAW CONTROL & ENGINEERING

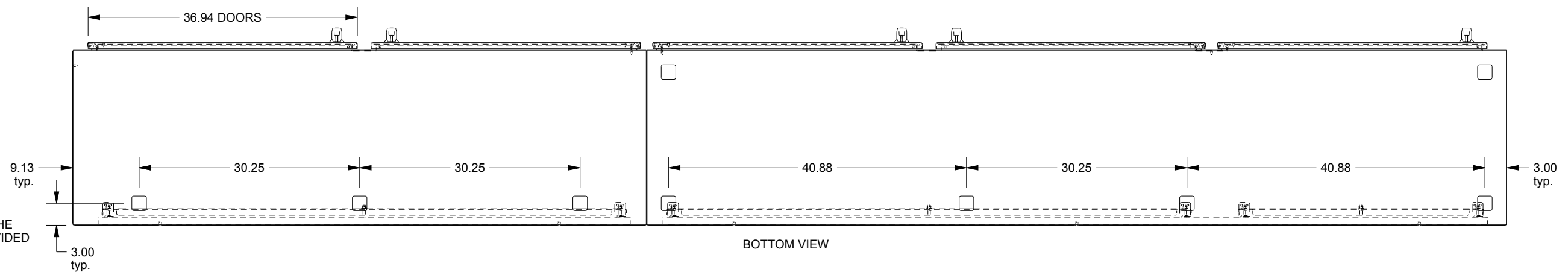
## SCE-90XM5EW24 SHT.2 OF 2



LEFT SIDE VIEW



SECTION X-X



BOTTOM VIEW