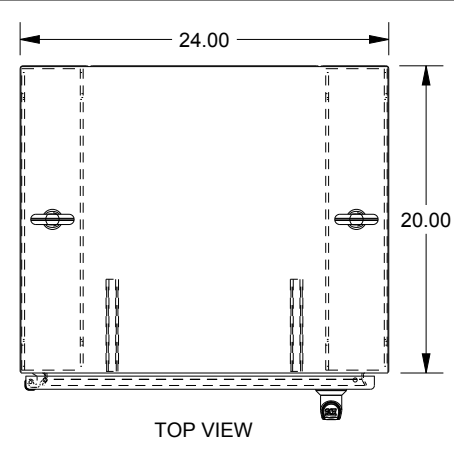
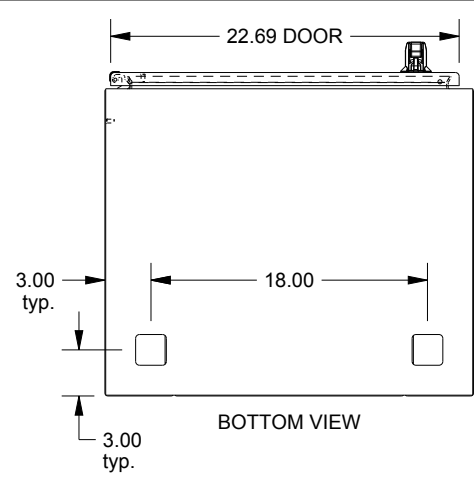


WASH SYSTEM 2" SQUARE DRAIN HOLES IN THE BOTTOM WITH UL APPROVED HOLE SEALS PROVIDED



# SAGINAW CONTROL & ENGINEERING

## SCE-90EL2420FS

