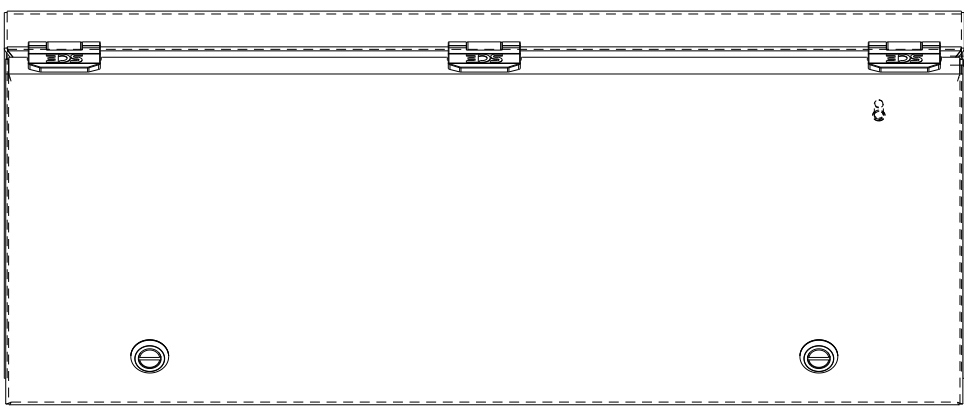
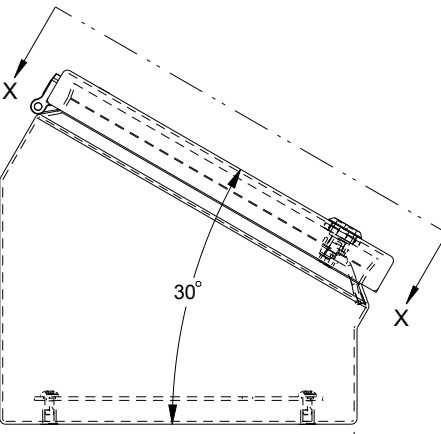


SAGINAW CONTROL & ENGINEERING

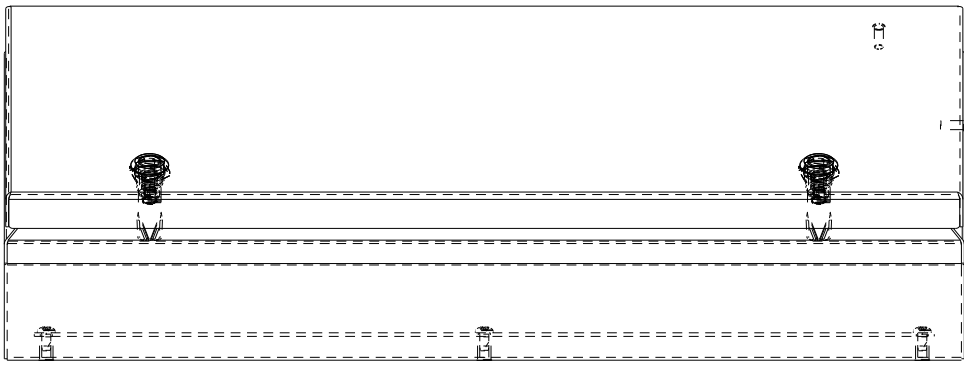
SCE-8C20ELJ



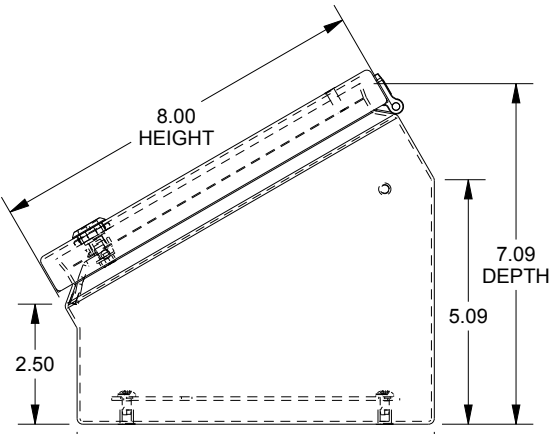
TOP VIEW



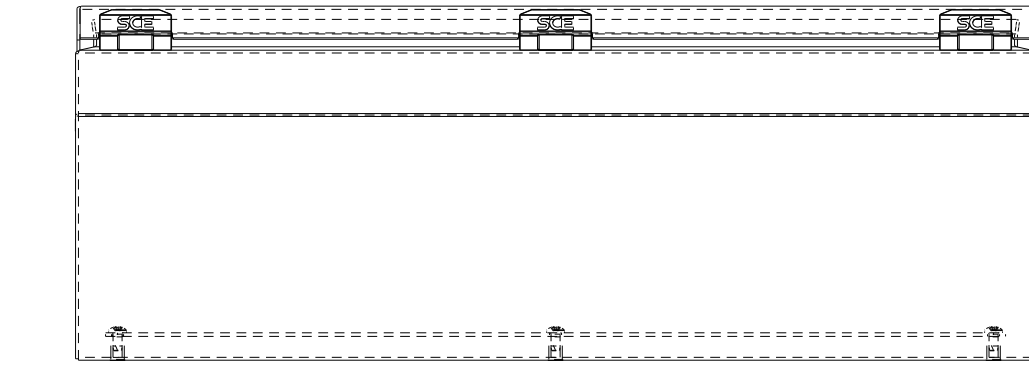
5.375
LEFT SIDE VIEW
.97 I.D.



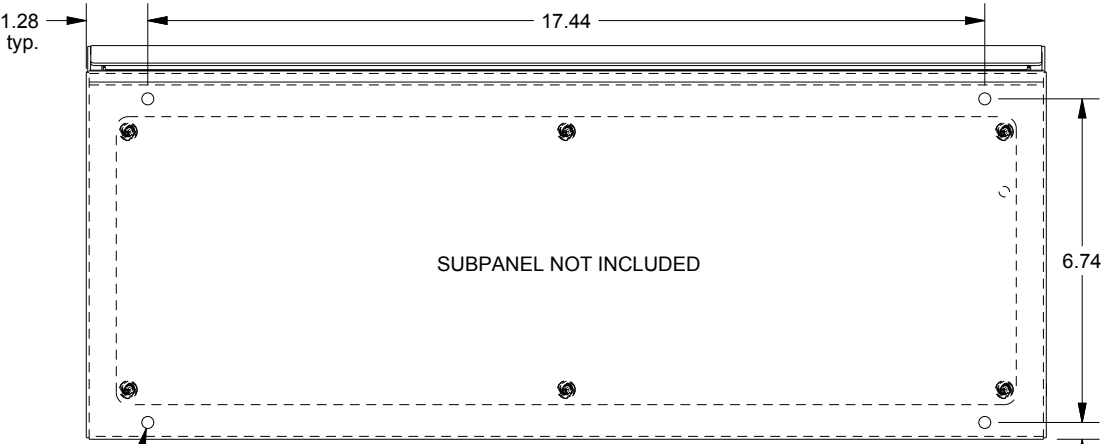
20.00 WIDTH
FRONT VIEW



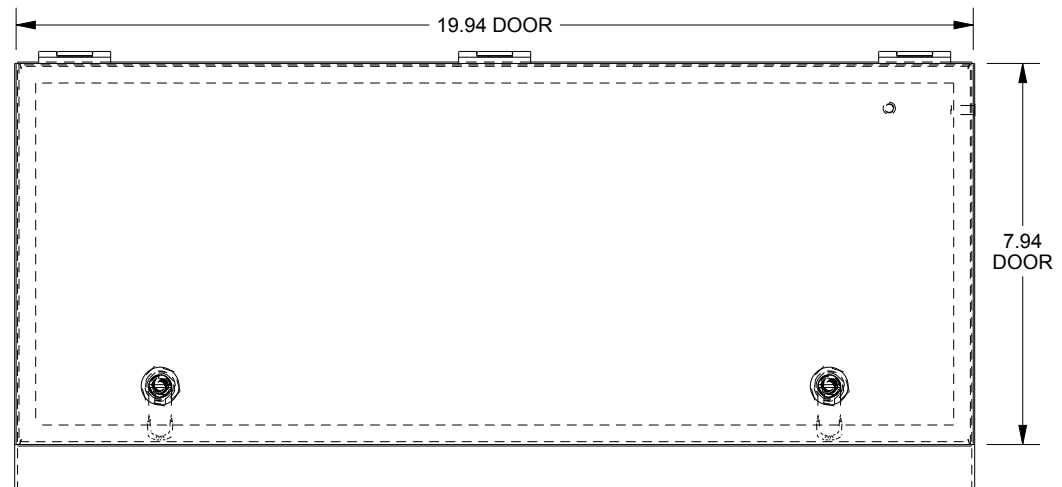
8.00 HEIGHT
7.09 DEPTH
5.09
7.44 REF. DEPTH
RIGHT SIDE VIEW



.82 I.D.
9.13
18.25
REAR VIEW



1.28 typ.
17.44
6.74
SUBPANEL NOT INCLUDED
BOTTOM VIEW
∅.25 (x4)
.35 typ.



19.94 DOOR
7.94 DOOR
SECTION X-X