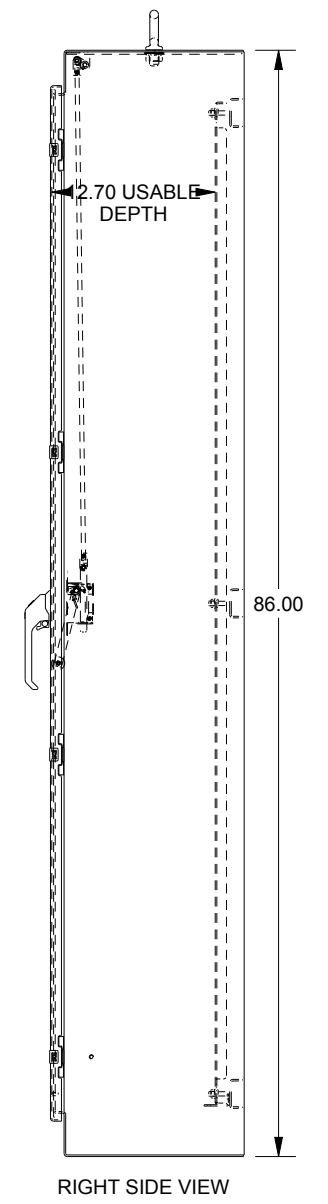
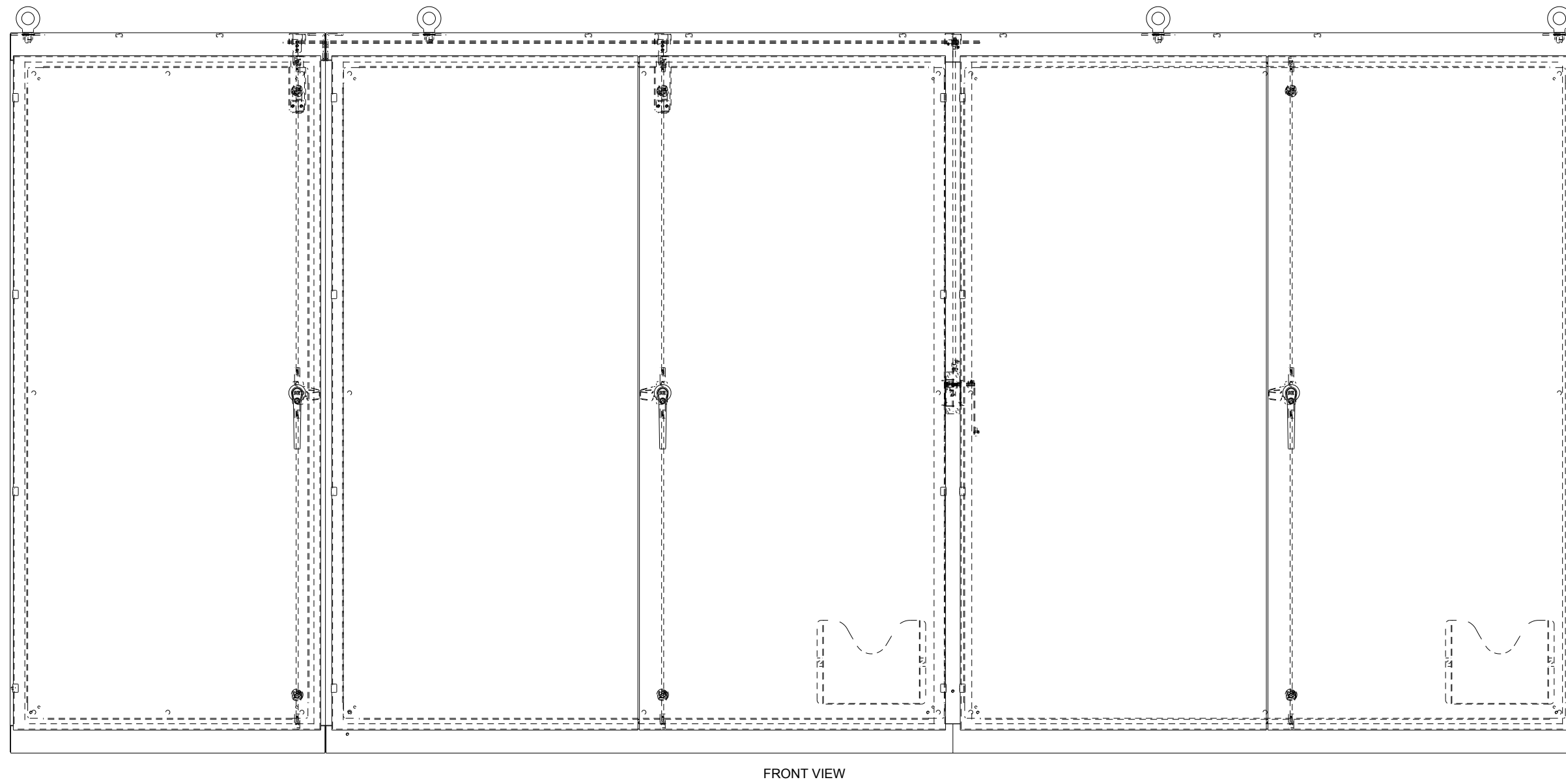
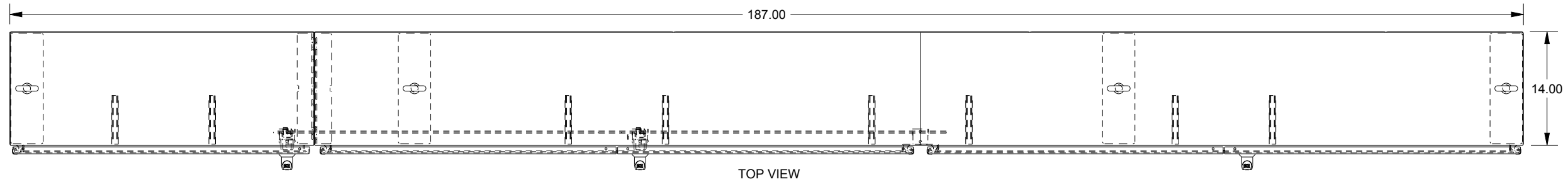


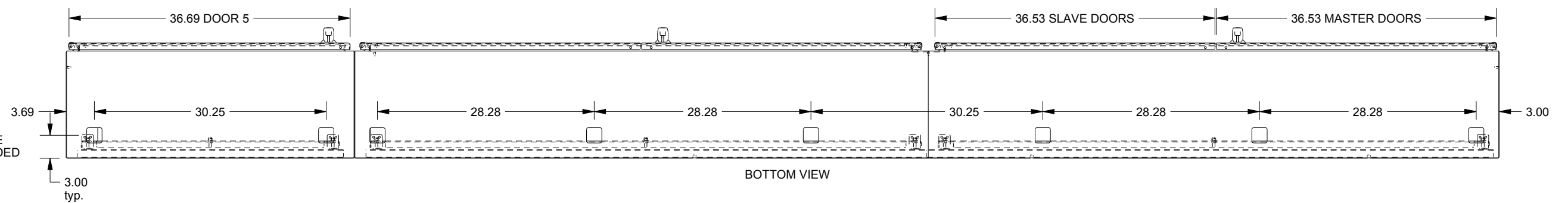
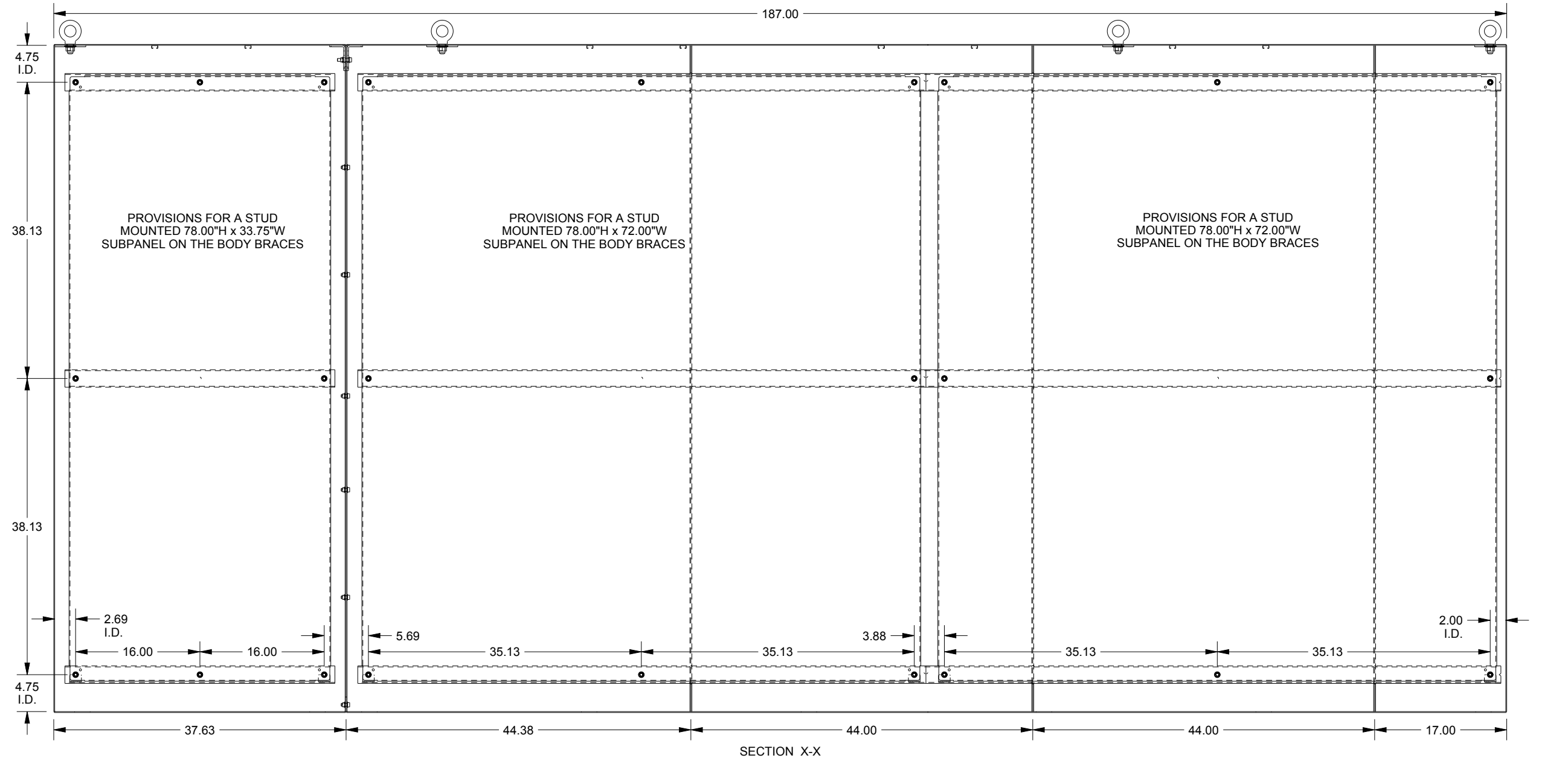
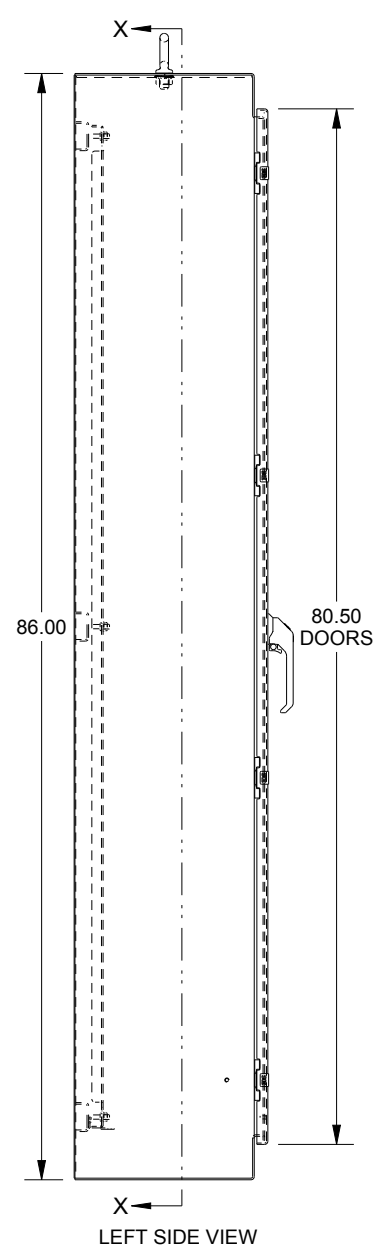
SAGINAW CONTROL & ENGINEERING

SCE-86M5E SHT.1 OF 2



SAGINAW CONTROL & ENGINEERING

SCE-86M5E SHT.2 OF 2



WASH SYSTEM 2" SQUARE DRAIN HOLES IN THE BOTTOM WITH UL APPROVED HOLE SEALS PROVIDED