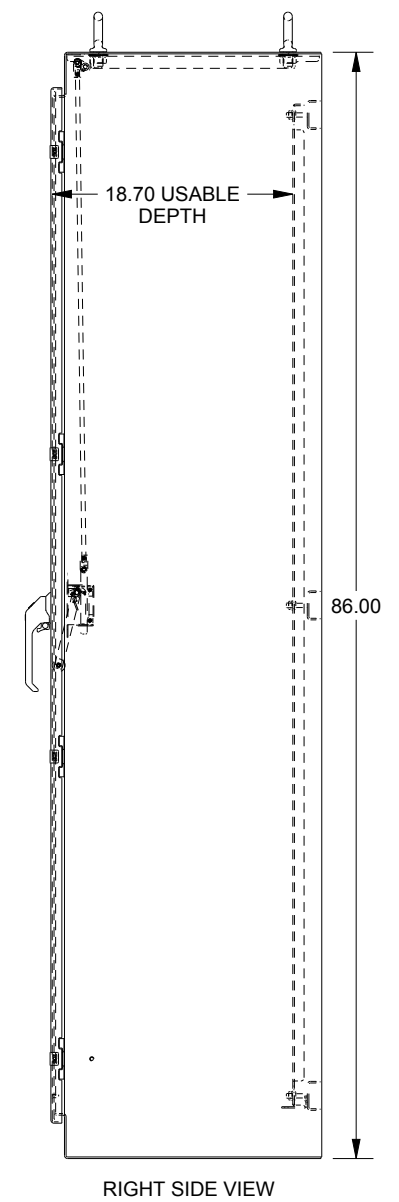
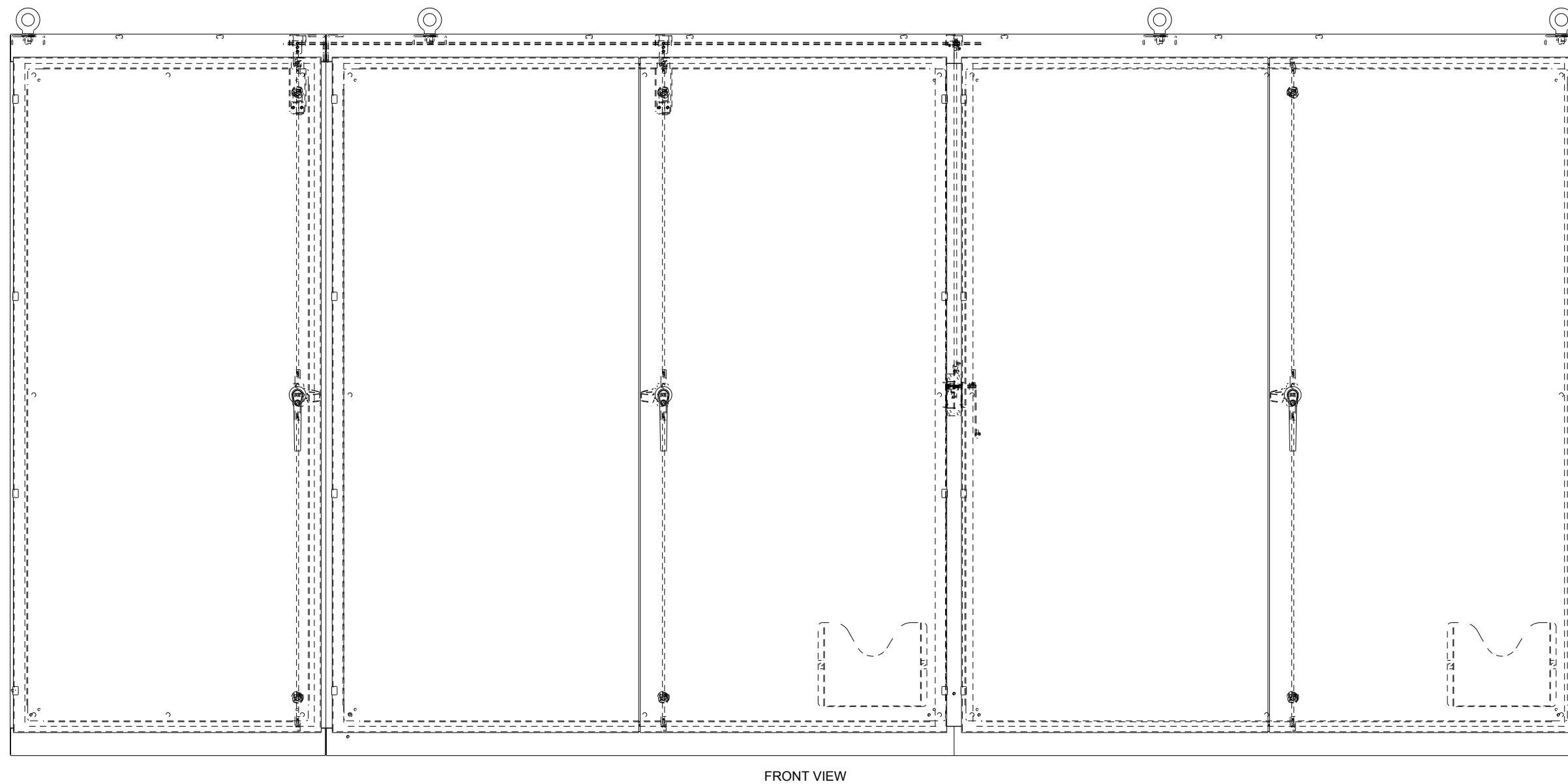
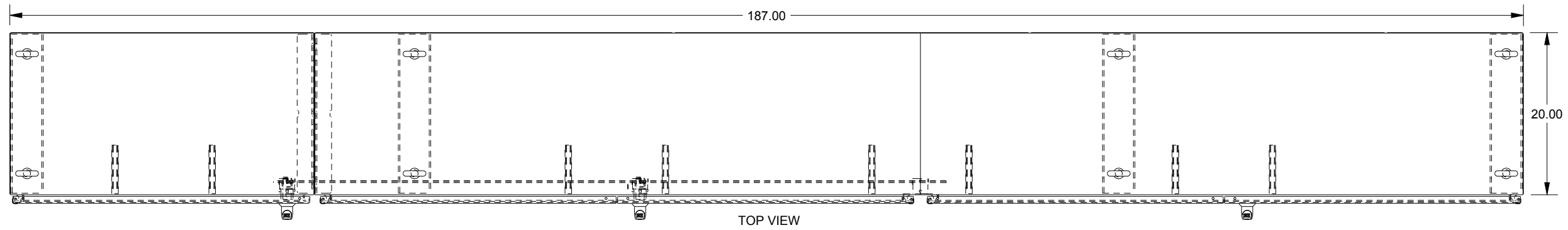


# SAGINAW CONTROL & ENGINEERING

## SCE-86M5E20 SHT.1 OF 2



# SAGINAW CONTROL & ENGINEERING

## SCE-86M5E20 SHT.2 OF 2

