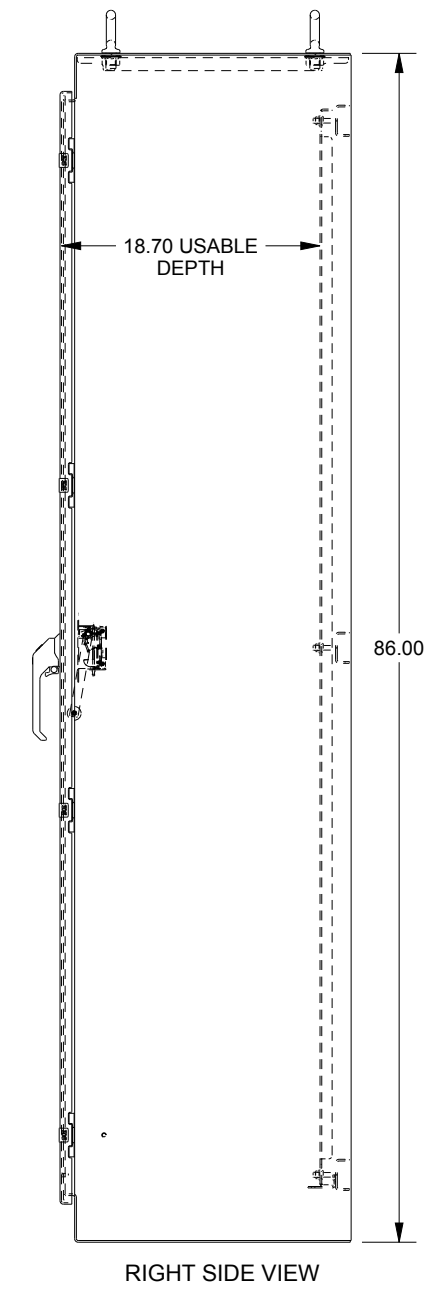
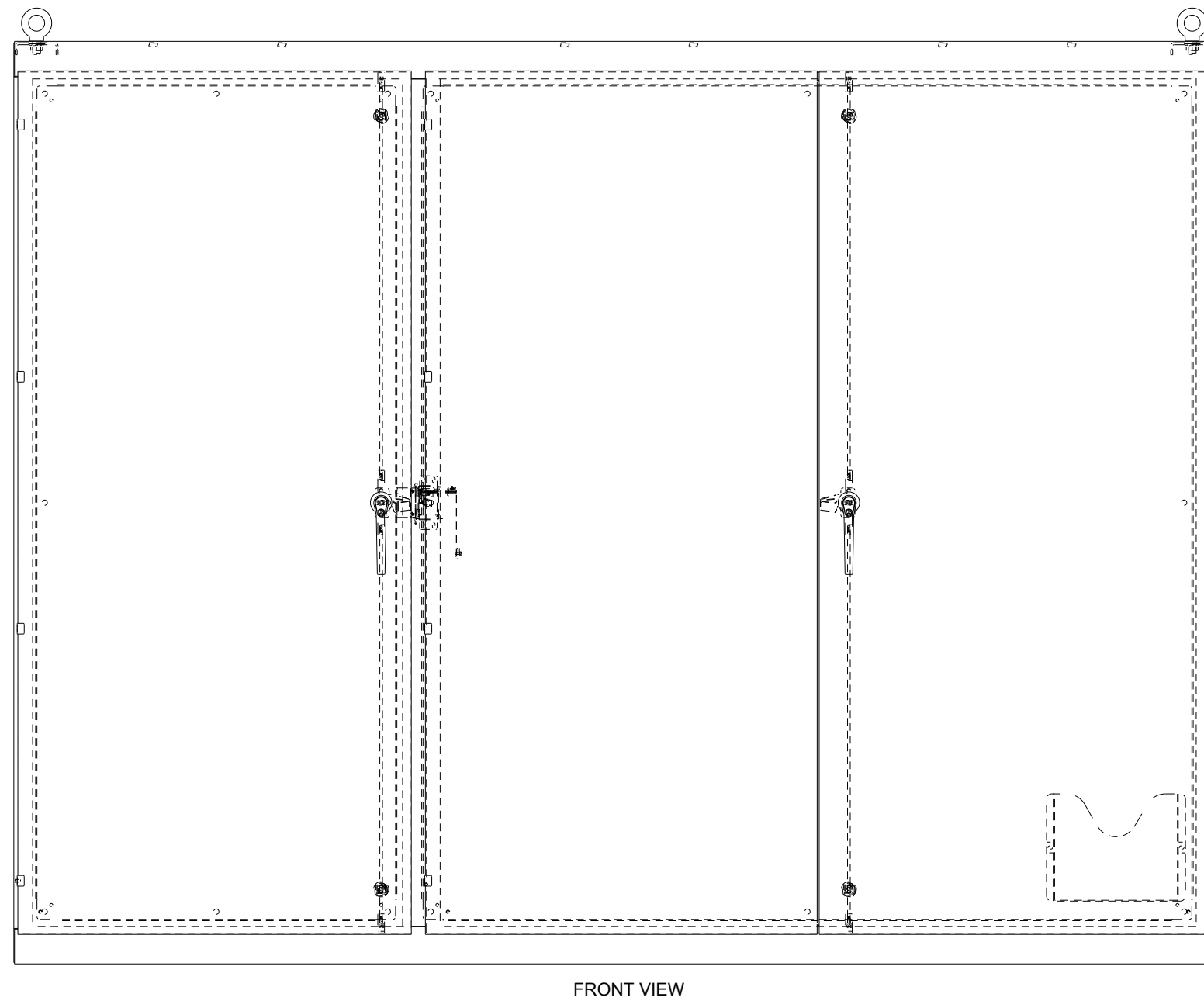
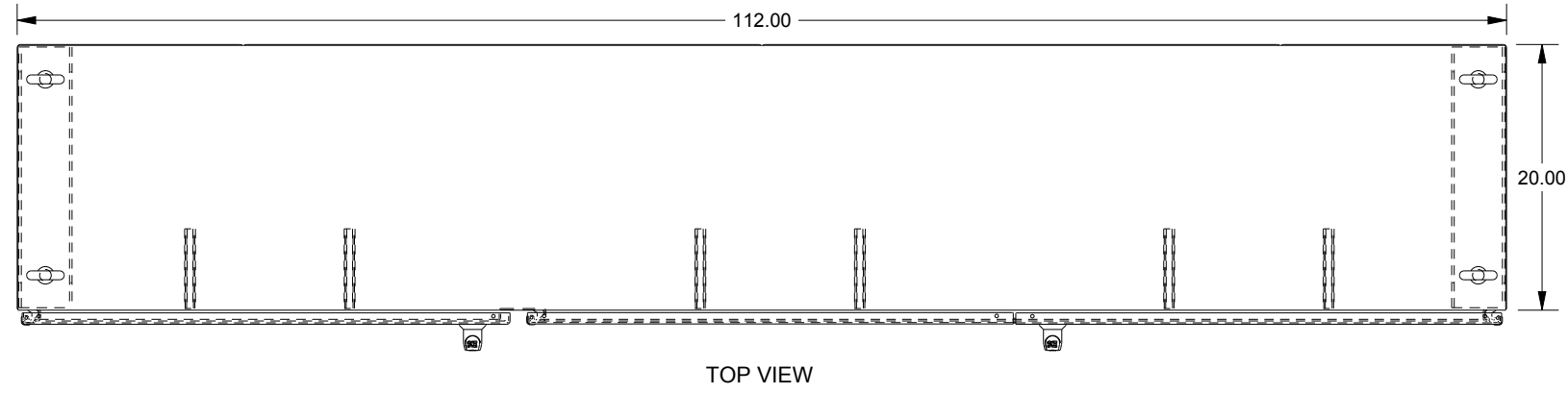


SAGINAW CONTROL & ENGINEERING

SCE-86M3E20 Sheet 1 of 2



SAGINAW CONTROL & ENGINEERING

SCE-86M3E20 Sheet 2 of 2

