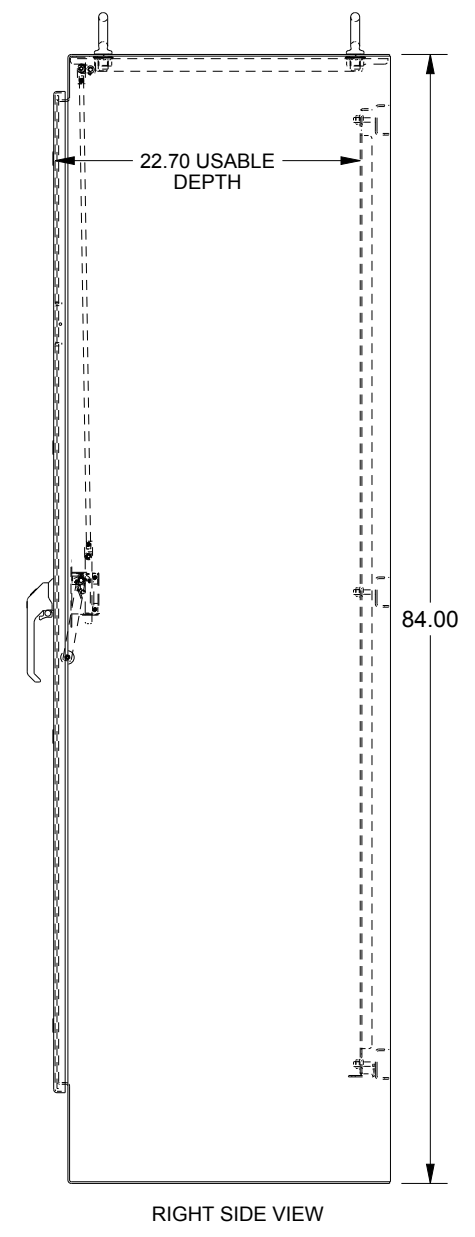
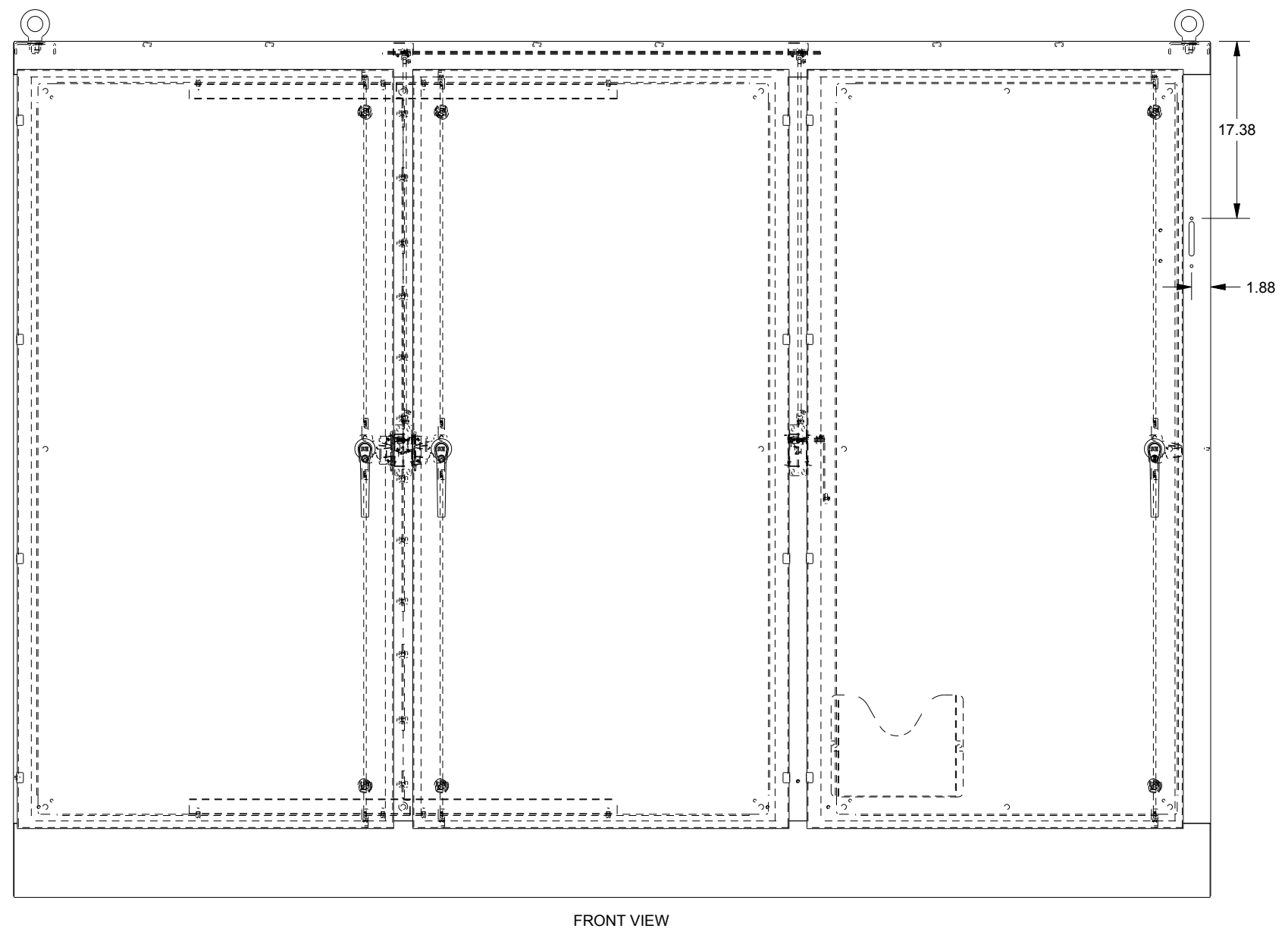
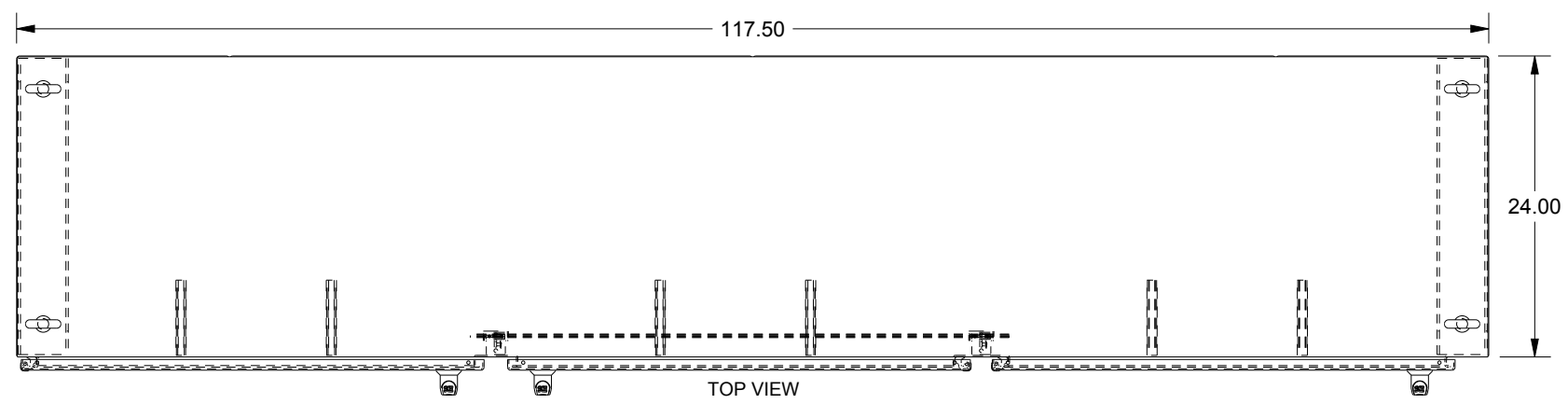
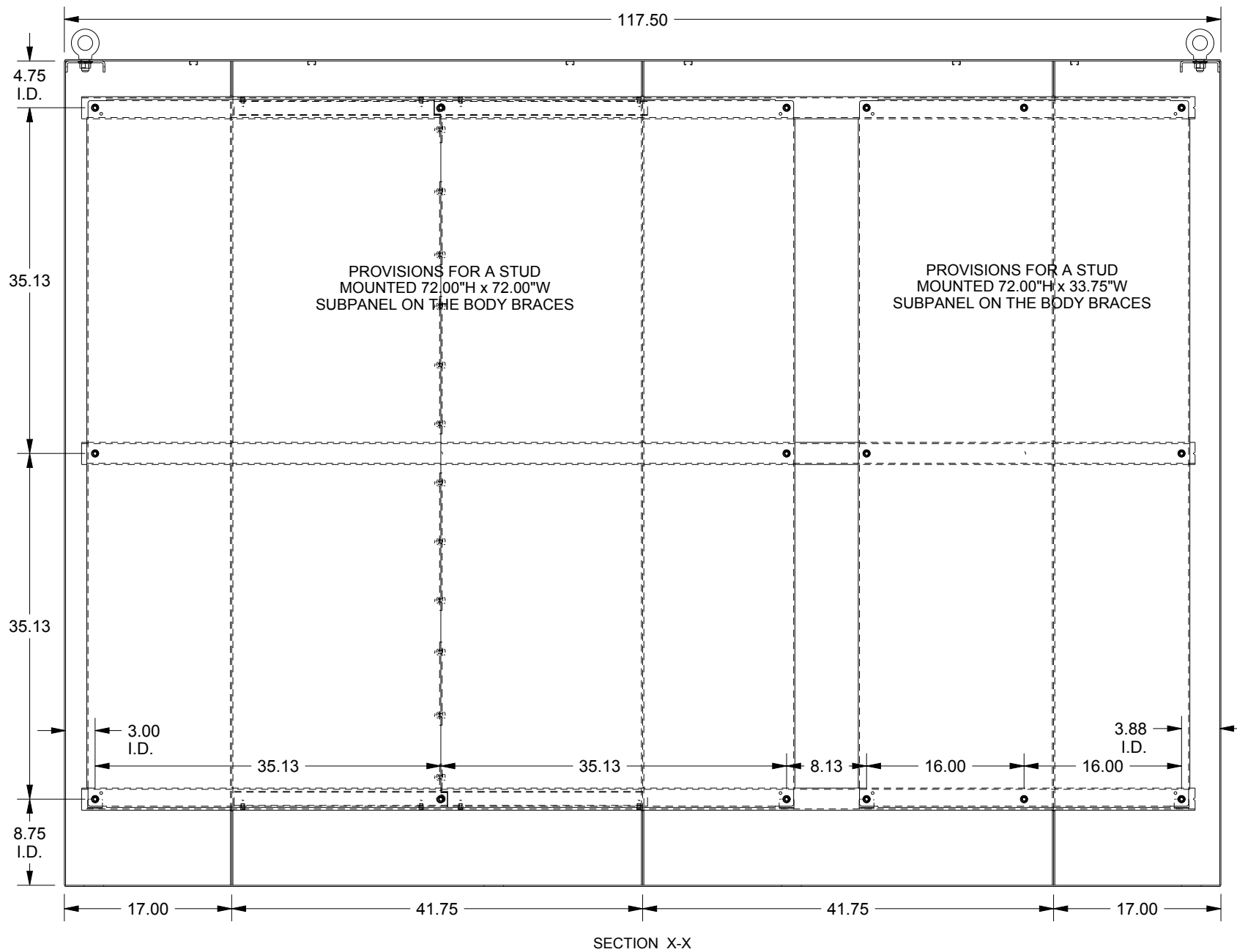
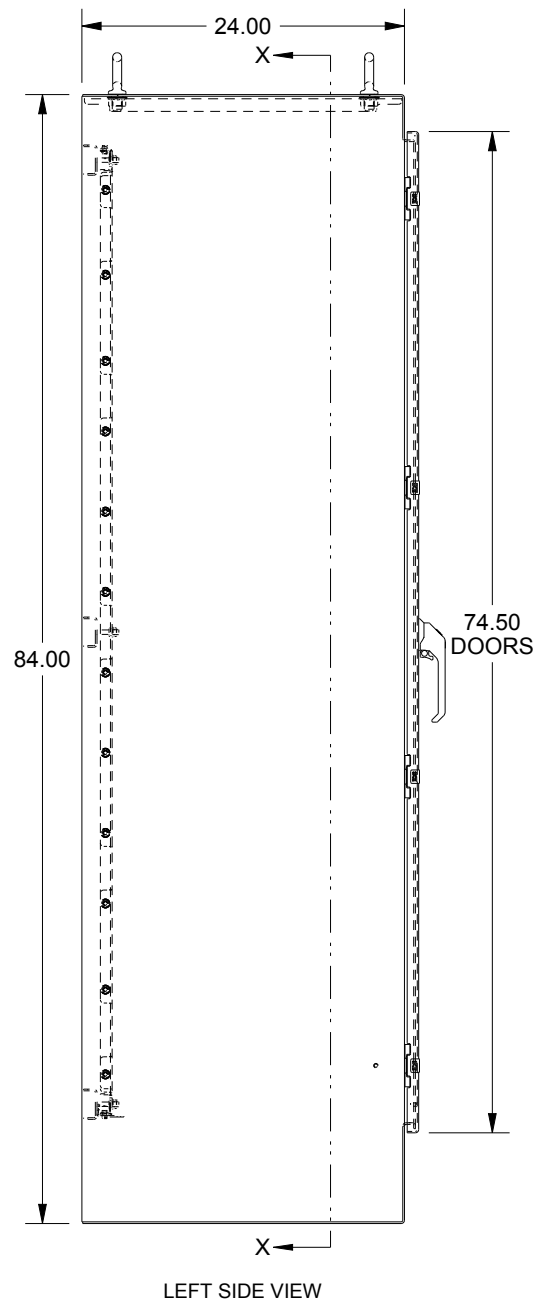


# SAGINAW CONTROL & ENGINEERING SCE-84XM3EW24G Sheet 1 of 2



# SAGINAW CONTROL & ENGINEERING

## SCE-84XM3EW24G Sheet 2 of 2



WASH SYSTEM 2" SQUARE DRAIN HOLES IN THE BOTTOM WITH UL APPROVED HOLE SEALS PROVIDED

