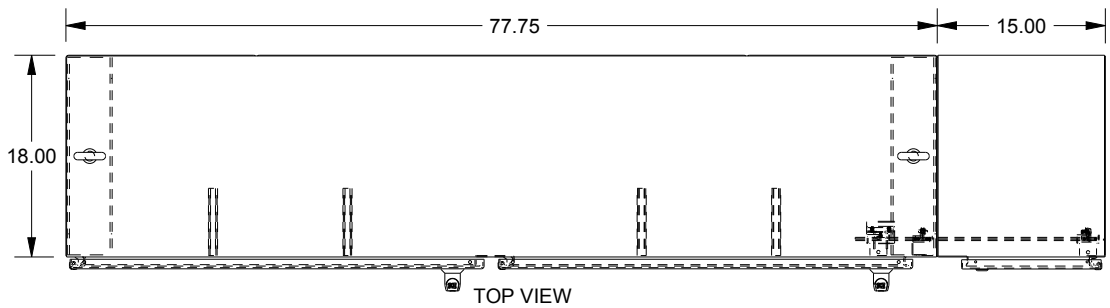
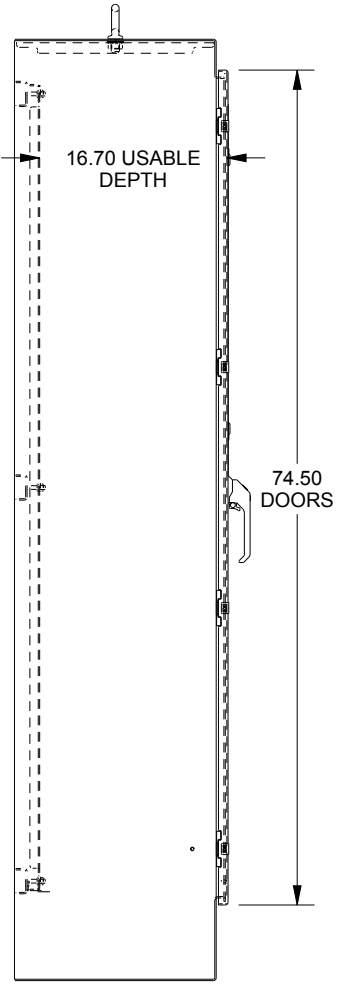


SAGINAW CONTROL & ENGINEERING

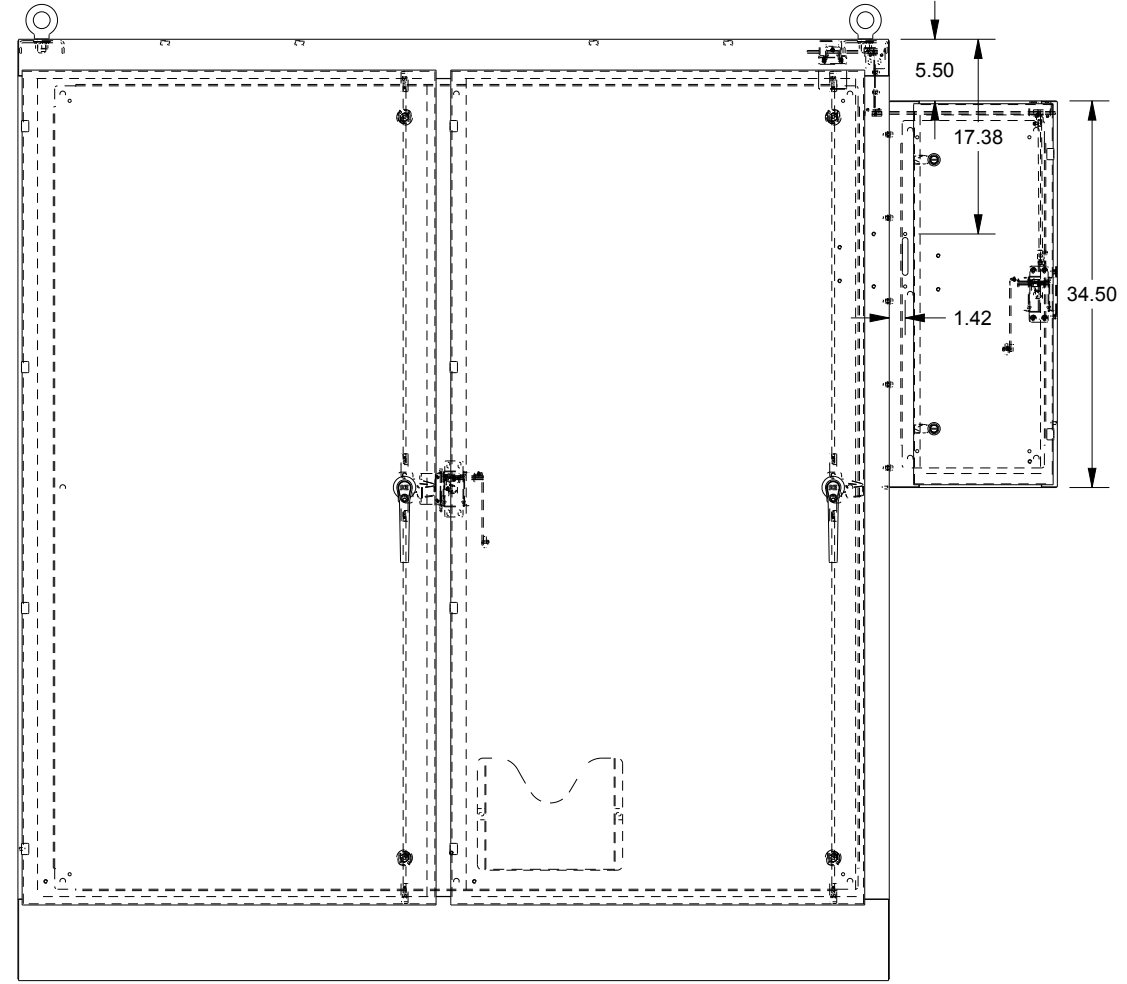
SCE-84XD7818



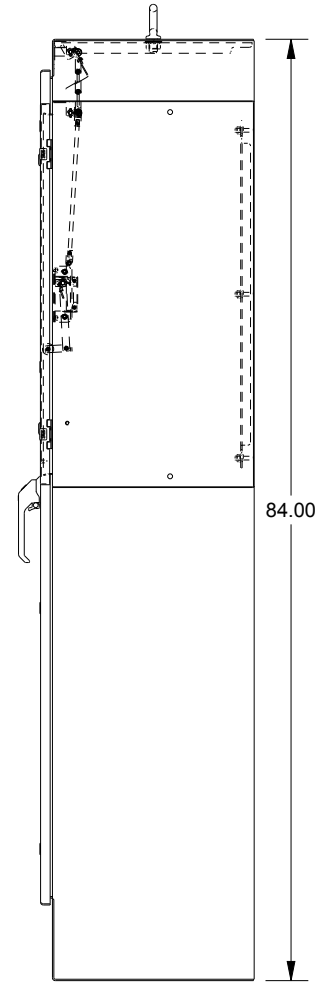
TOP VIEW



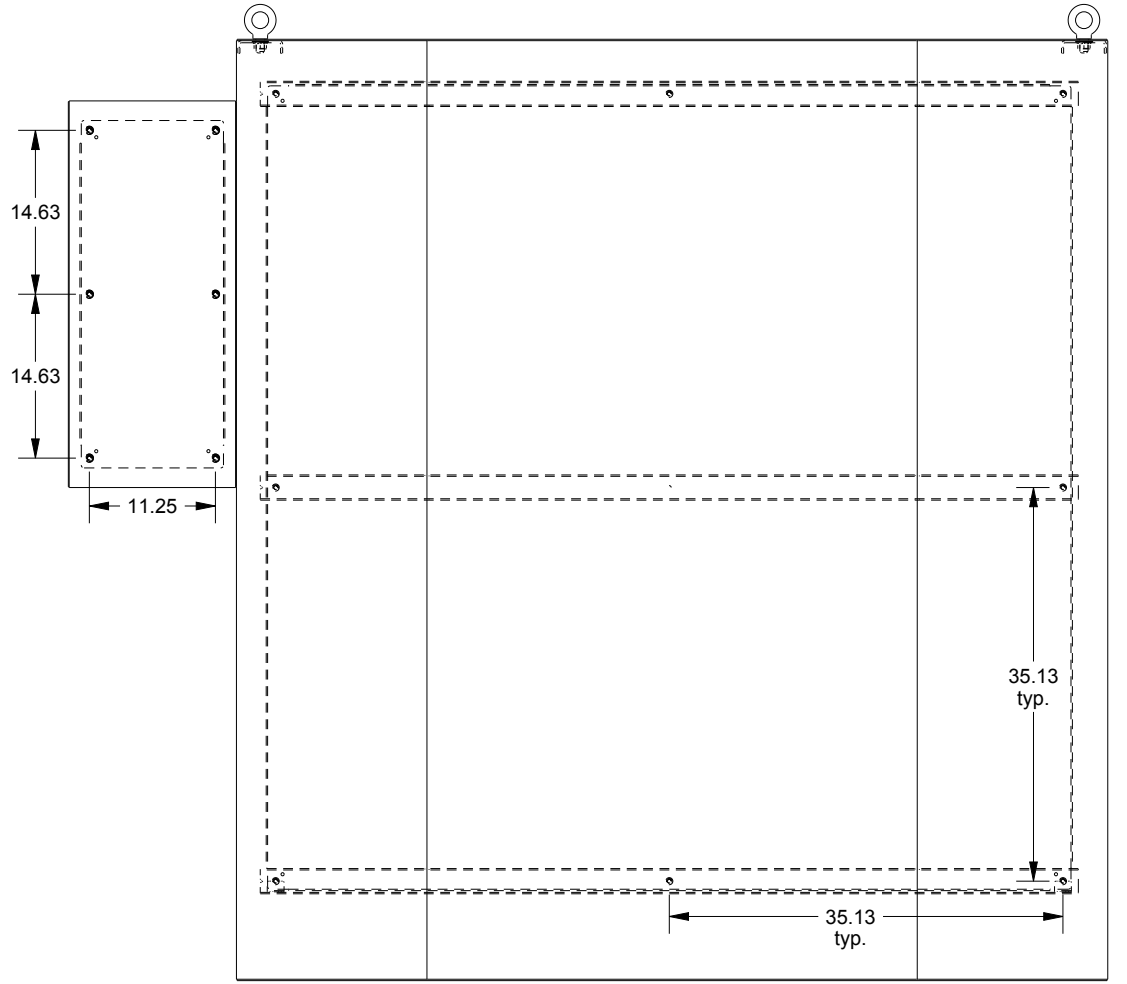
LEFT SIDE VIEW



FRONT VIEW

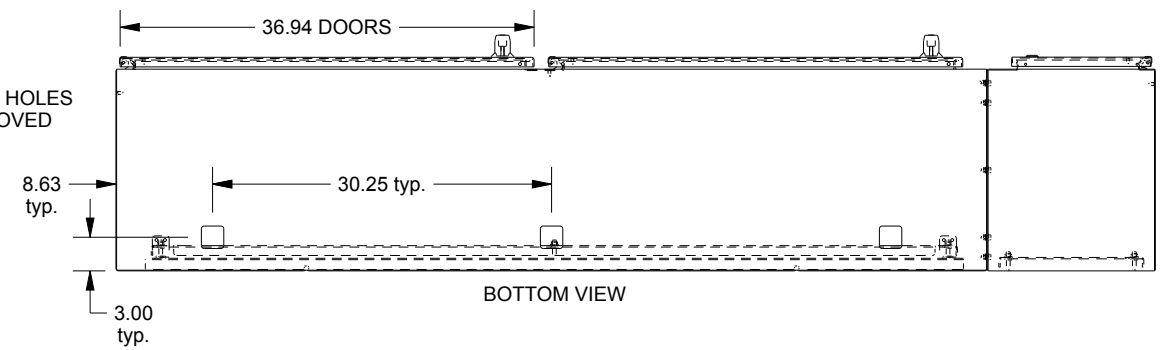


RIGHT SIDE VIEW



EXTERNAL REAR VIEW

WASH SYSTEM 2" SQUARE DRAIN HOLES
IN THE BOTTOM WITH UL APPROVED
HOLE SEALS PROVIDED



BOTTOM VIEW