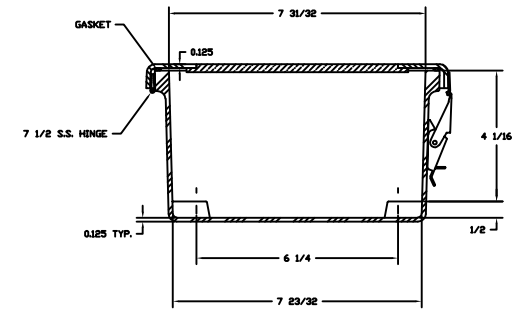
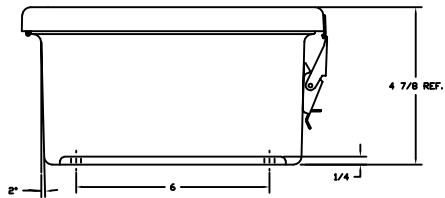


SECTION B-B



SECTION A-A

NOTES						TOLERANCES UNLESS SPECIFIED		DECIMAL	FRACTIONAL
MATERIAL						SAGINAW CONTROL & ENGINEERING		2.00	21/32
COLOR: GLACIER GRAY 08103						95 MIDLAND RD.			
MATERIAL: FR. POLYESTER FIBERGLASS						SAGINAW MICHIGAN 48638			
LET. REVISION RECORD						CUSTOMER		AUTOCAD DWG FILE	
DATE	BY	CHK.	DATE	BY	DATE	PART NAME	ENCLOSURE	PART NO.	SCE-808FW
SCALE: 30 NOT SCALE									