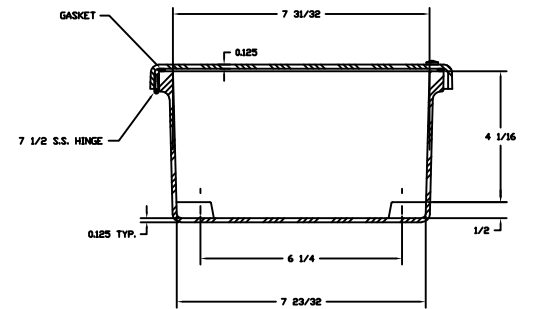
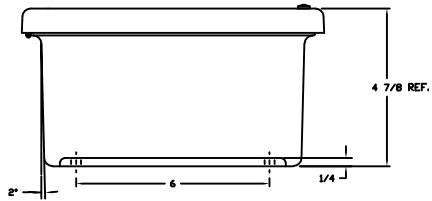


SECTION B-B



SECTION A-A

NOTES									
COLOR: GLACIER GRAY RR1013					TOLERANCES UNLESS SPECIFIED				
NEMA 1, 3R, 4X, 6P, 12					DECIMAL	FRACTIONAL			
MATERIAL: F.R. POLYESTER FIBERGLASS					± .010	± 1/32			
REVISION RECORD					SAGINAW CONTROL & ENGINEERING				
LET.	DATE	BY	CHK.	DATE	95 MIDLAND RD.				
					SAGINAW MICHIGAN 48638				
					CUSTOMER				
					SCALE 30 NOT SCALE				
					PART NAME	ENCLOSURE		PART NO.	SCE-808FG