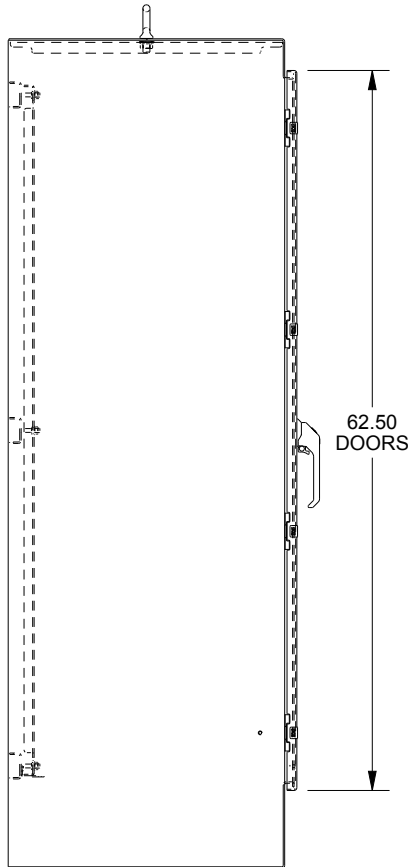
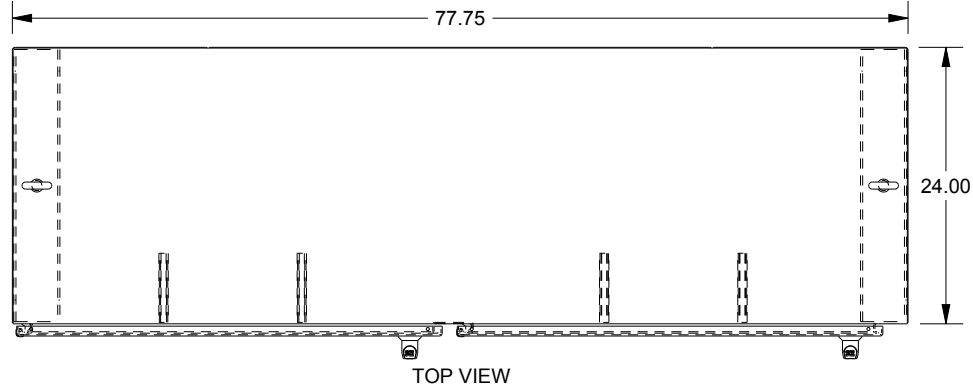
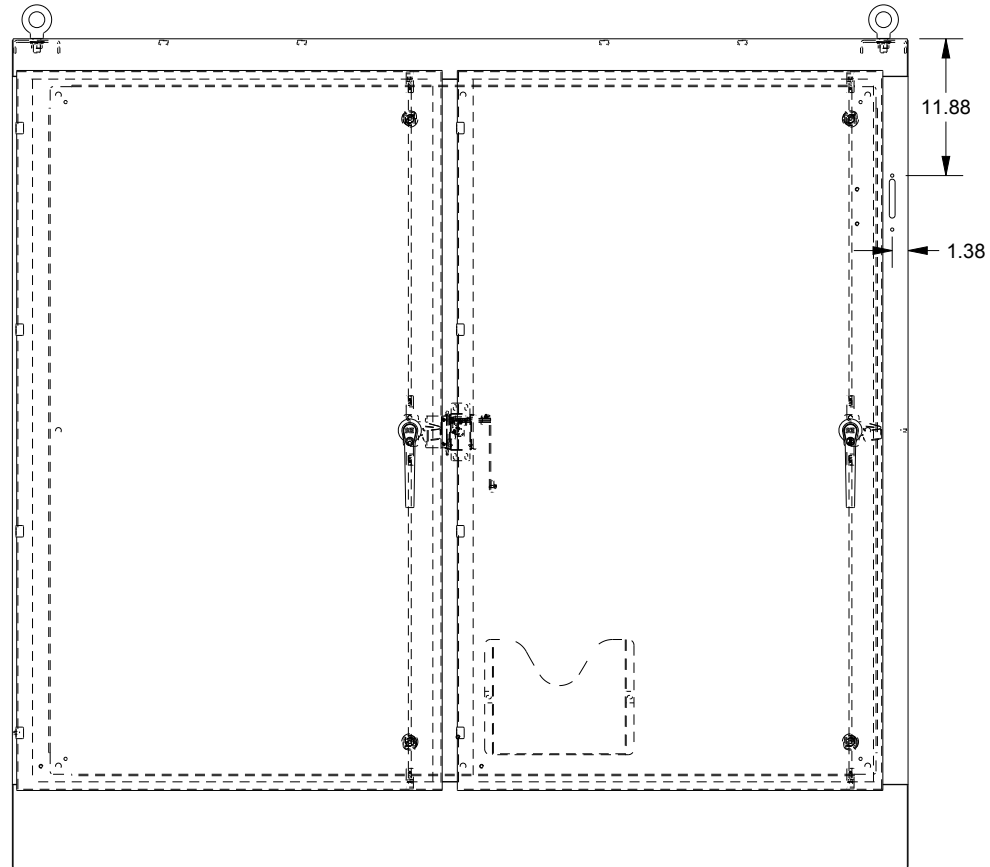


# SAGINAW CONTROL & ENGINEERING

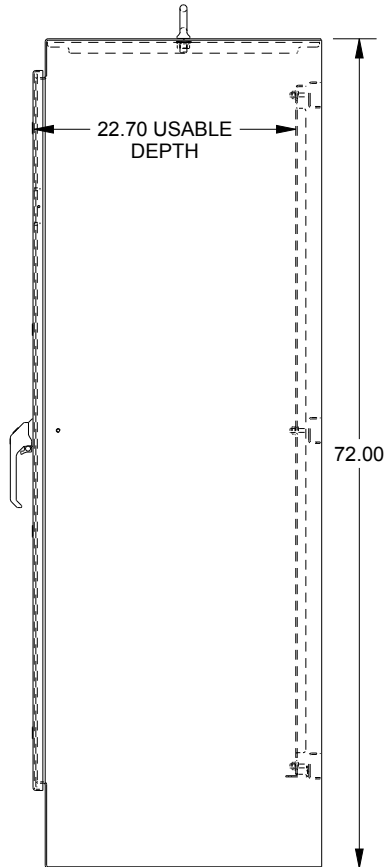
## SCE-72XM7824



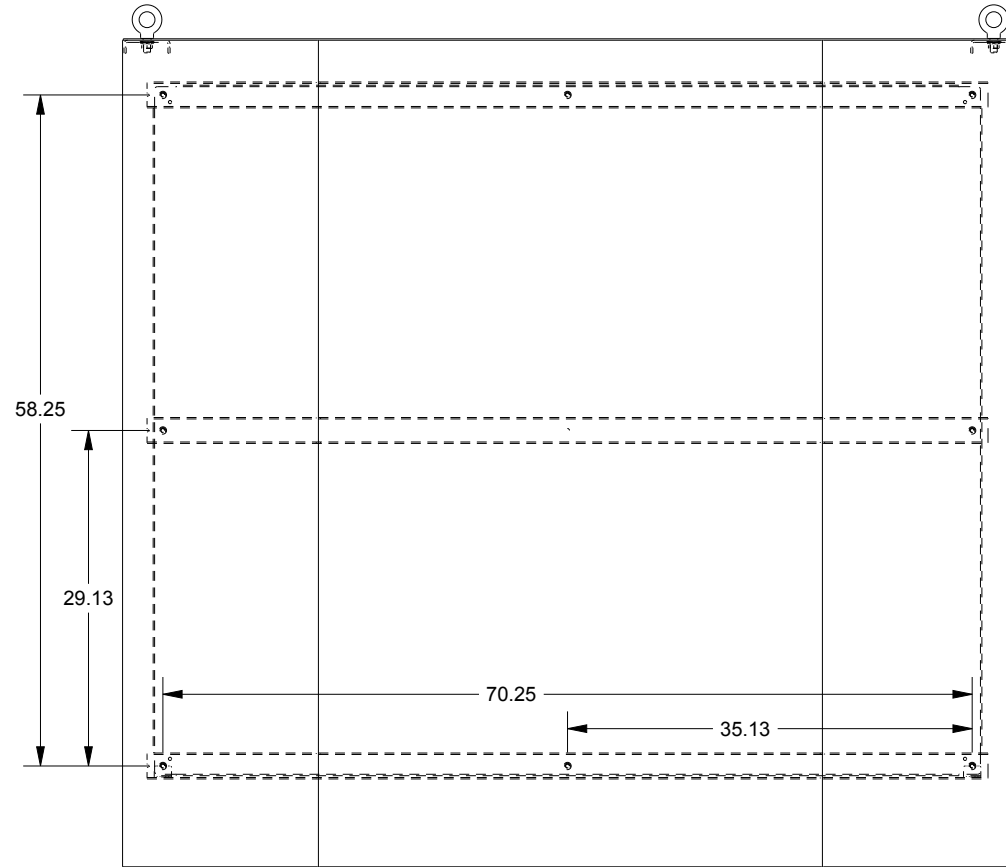
LEFT SIDE VIEW



FRONT VIEW



RIGHT SIDE VIEW



EXTERNAL REAR VIEW

WASH SYSTEM 2" SQUARE DRAIN HOLES  
IN THE BOTTOM WITH UL APPROVED  
HOLE SEALS PROVIDED

