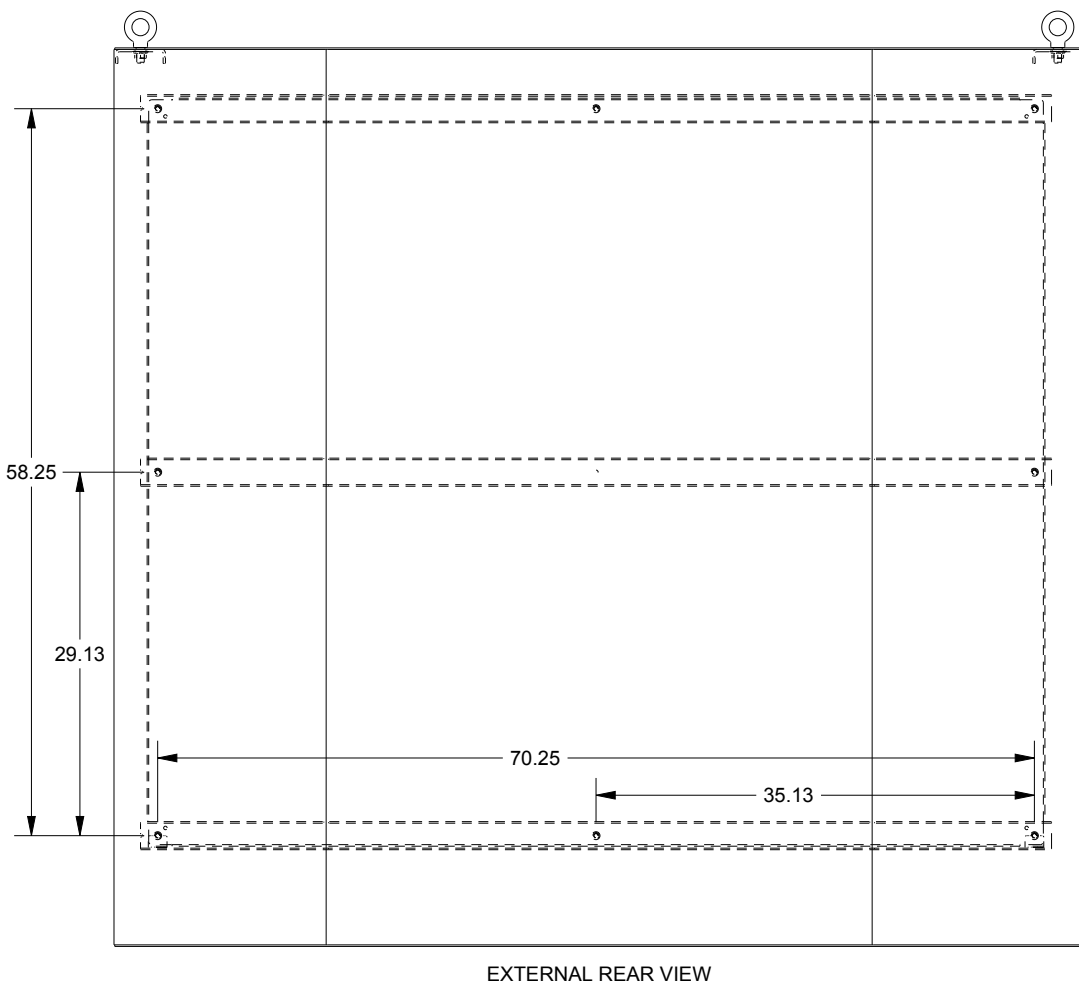
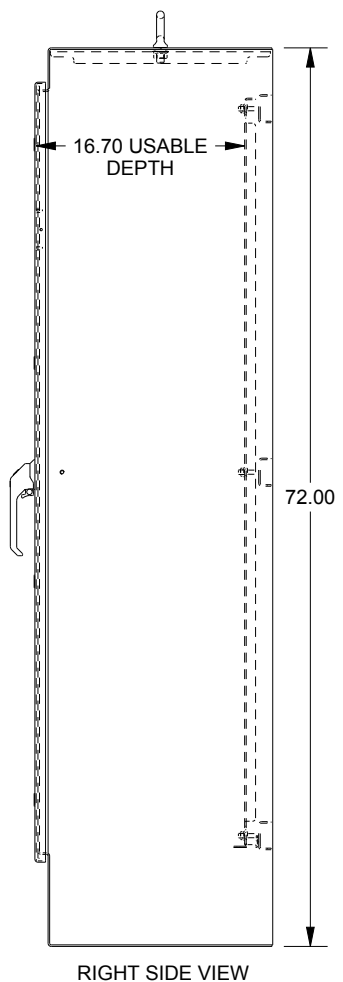
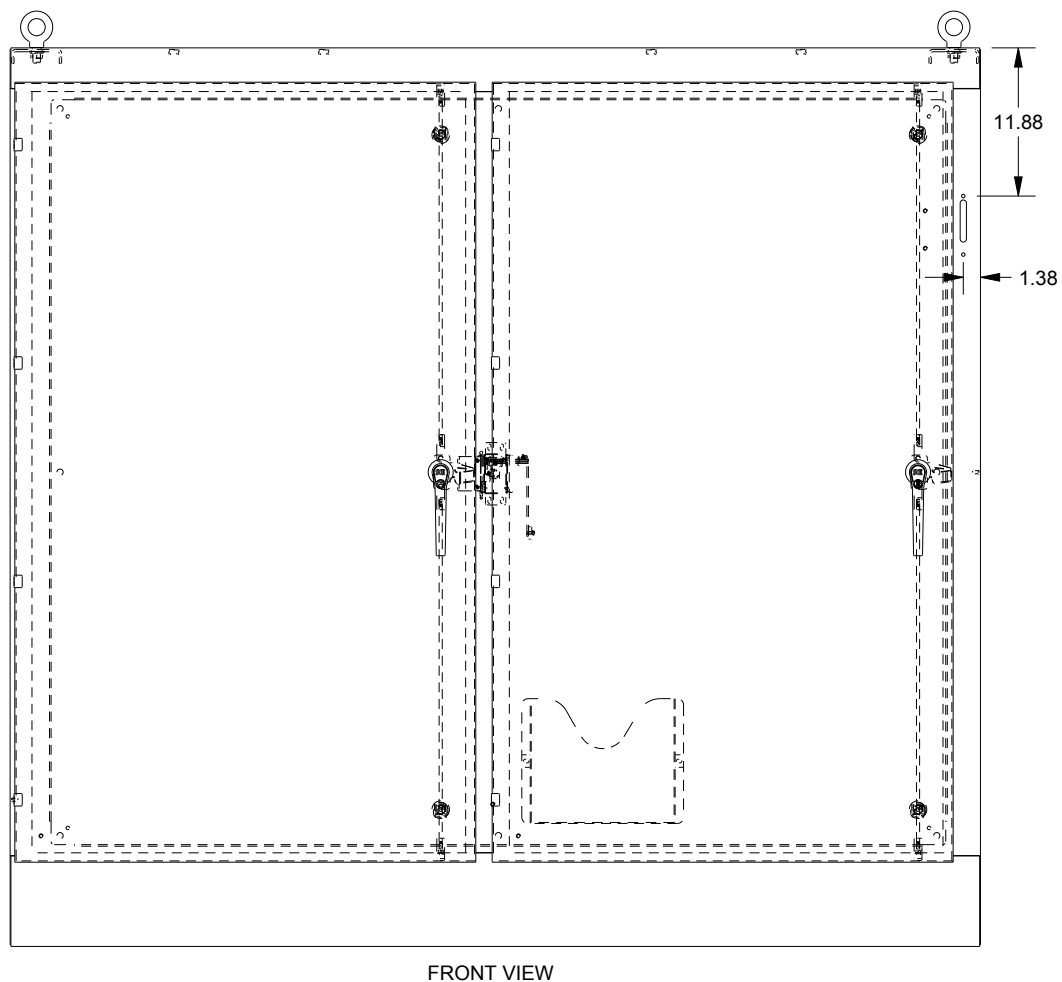
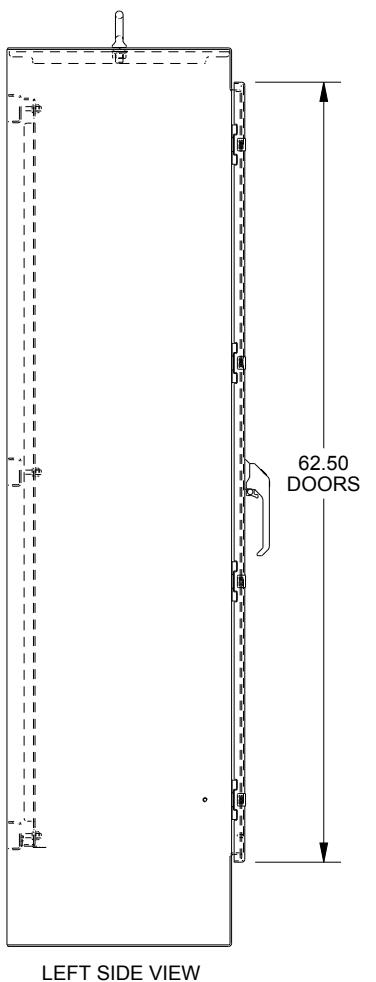
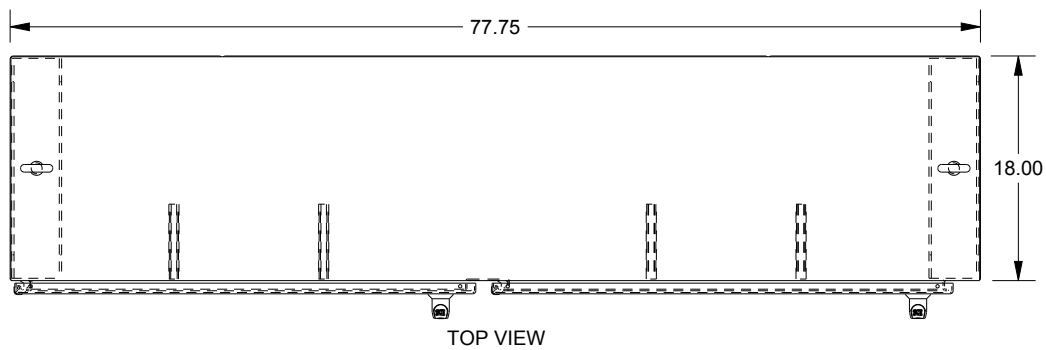


SAGINAW CONTROL & ENGINEERING

SCE-72XM7818



WASH SYSTEM 2" SQUARE DRAIN HOLES
IN THE BOTTOM WITH UL APPROVED
HOLE SEALS PROVIDED

