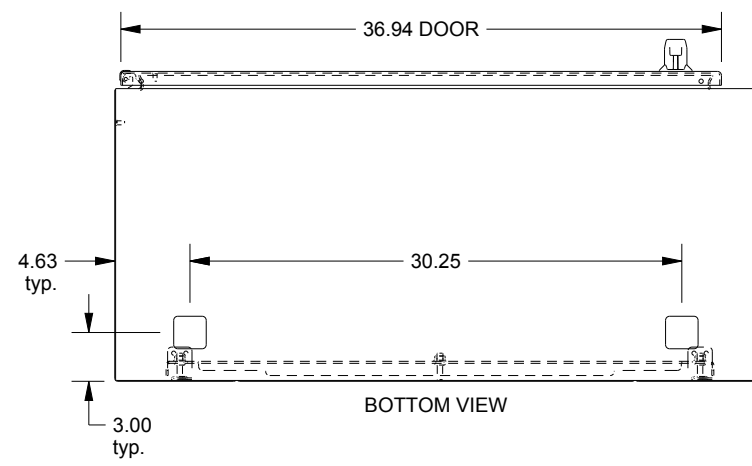
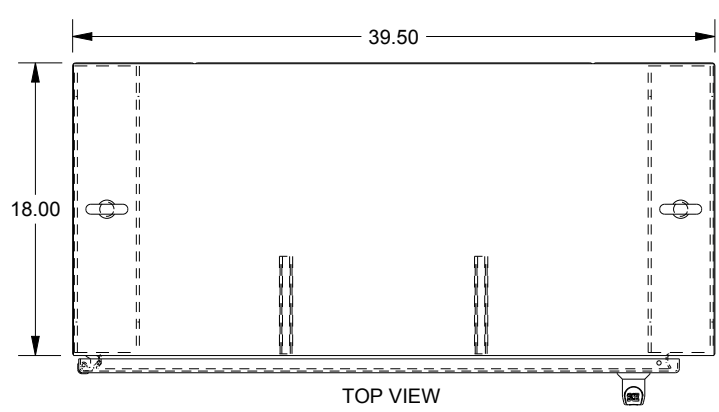


# SAGINAW CONTROL & ENGINEERING

## SCE-72XM4018G



WASH SYSTEM 2" SQUARE DRAIN HOLES IN THE BOTTOM WITH UL APPROVED HOLE SEALS PROVIDED

