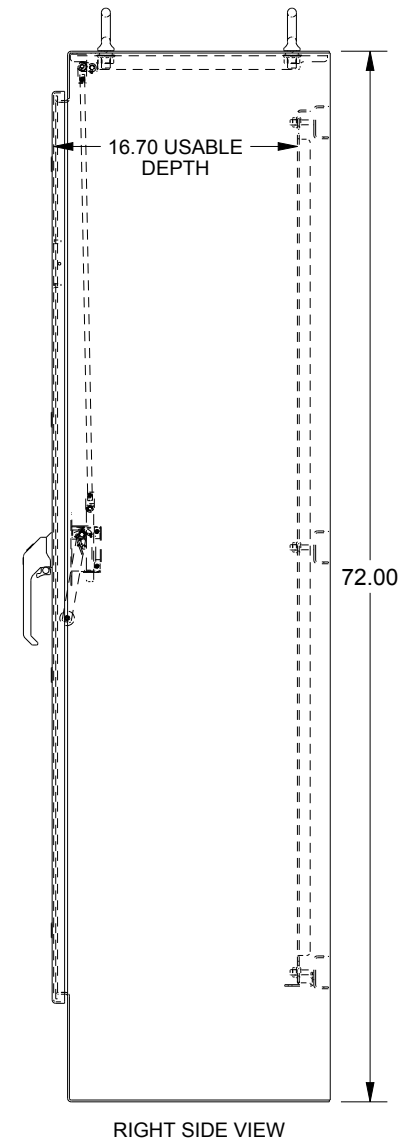
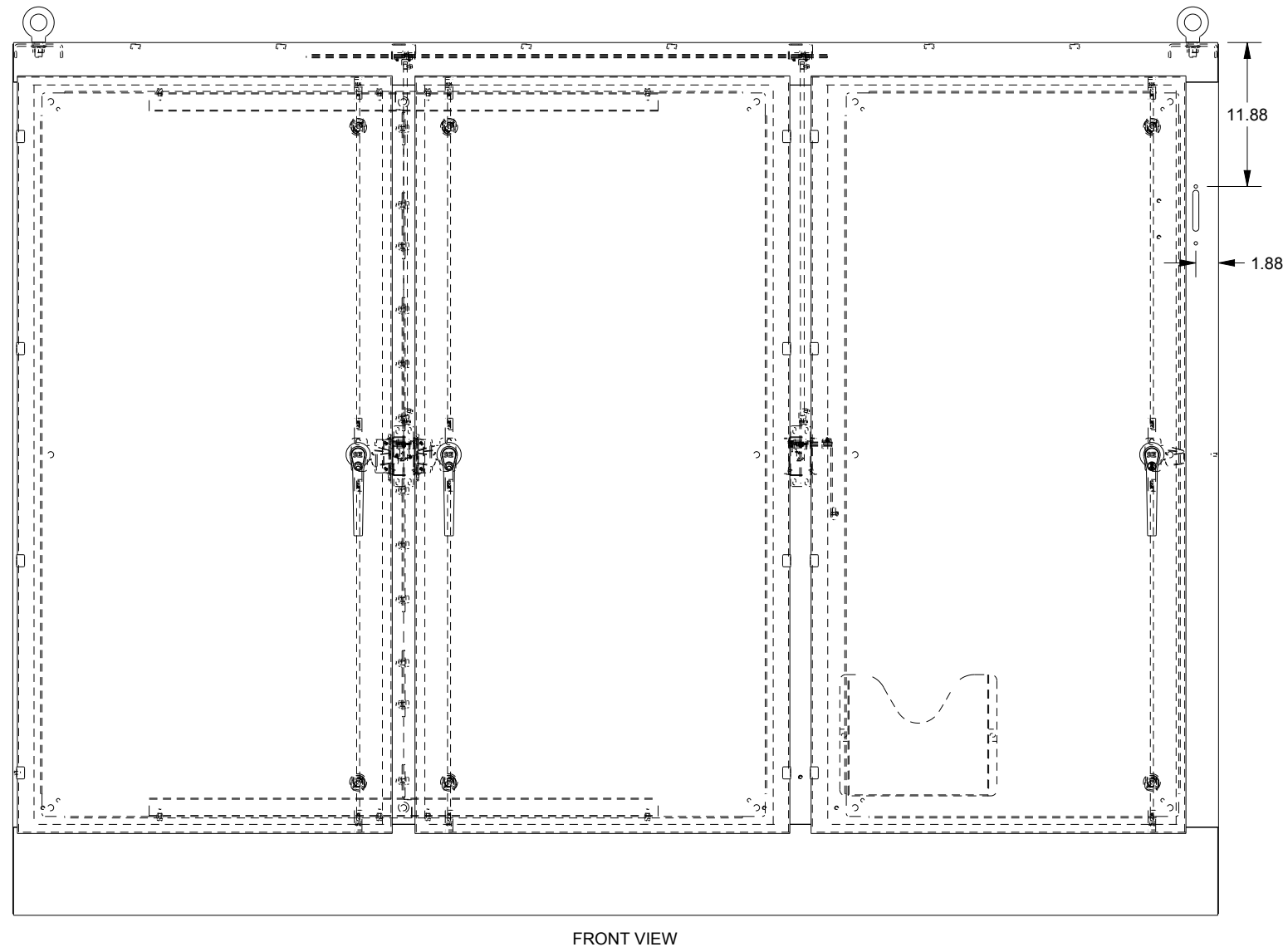
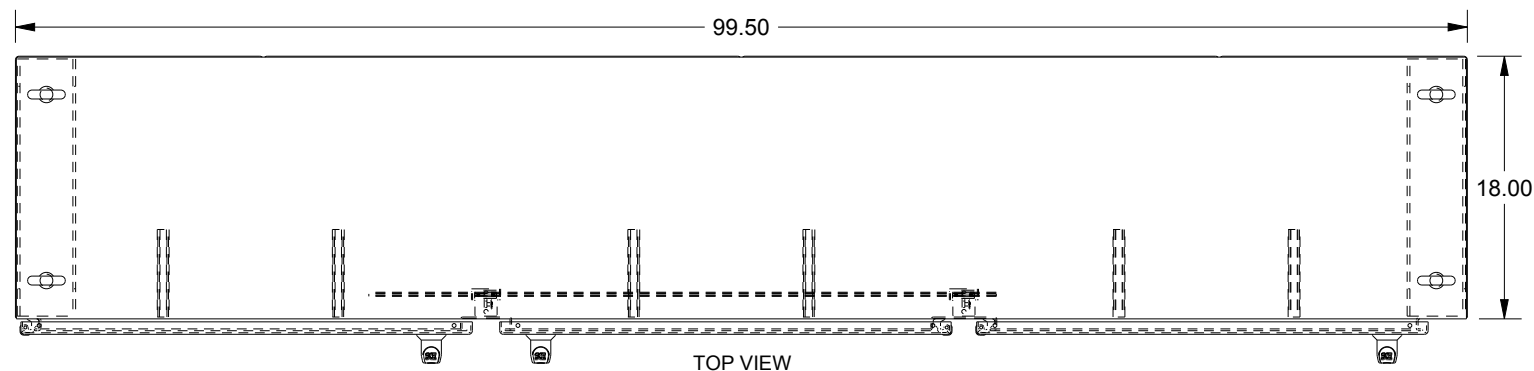
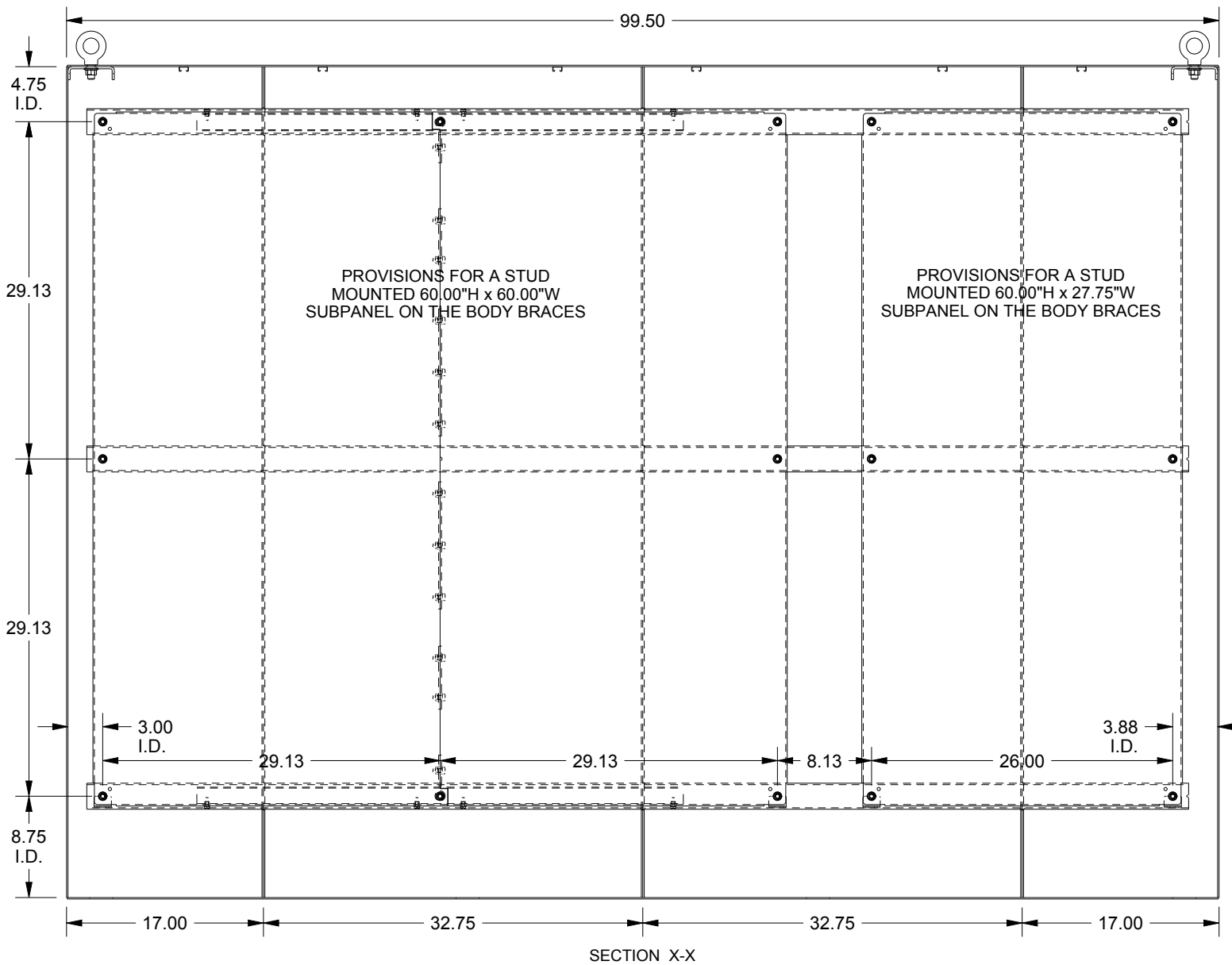
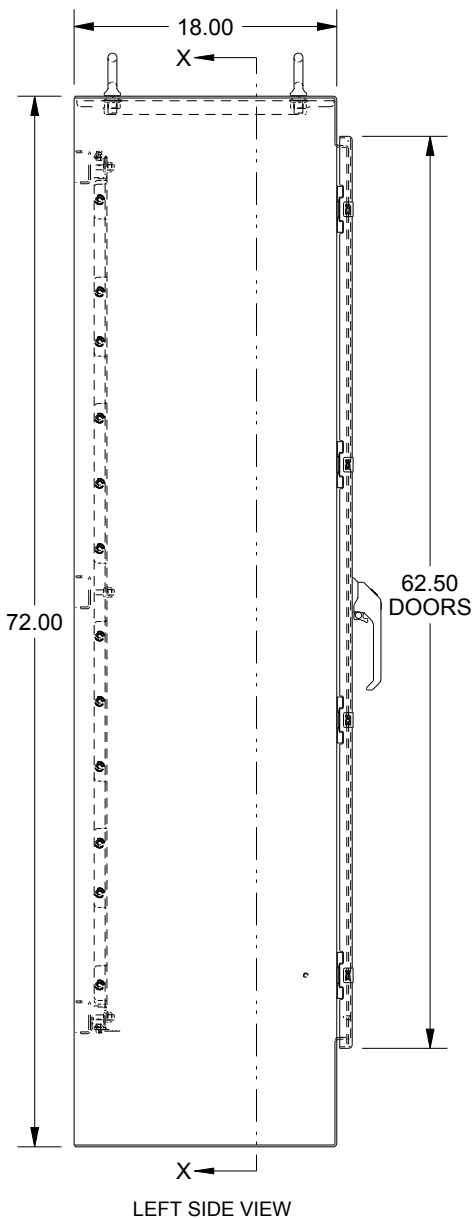


SAGINAW CONTROL & ENGINEERING SCE-72XM3EQ18G Sheet 1 of 2



SAGINAW CONTROL & ENGINEERING

SCE-72XM3EQ18G Sheet 2 of 2



WASH SYSTEM 2" SQUARE DRAIN HOLES IN THE BOTTOM WITH UL APPROVED HOLE SEALS PROVIDED

