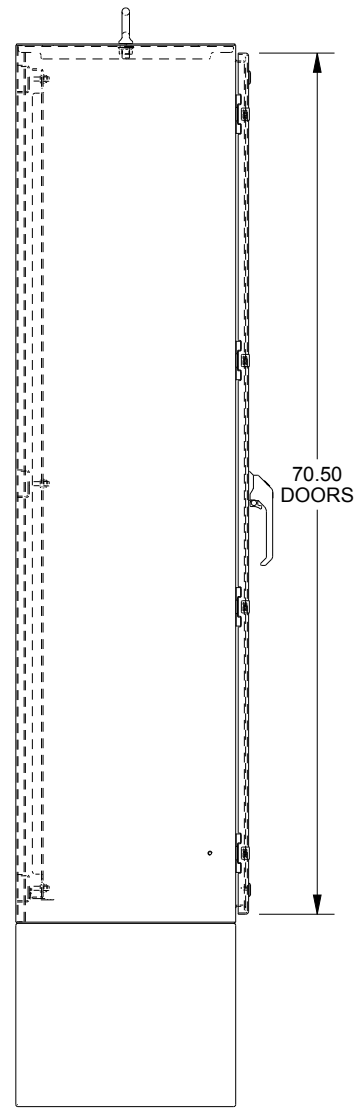
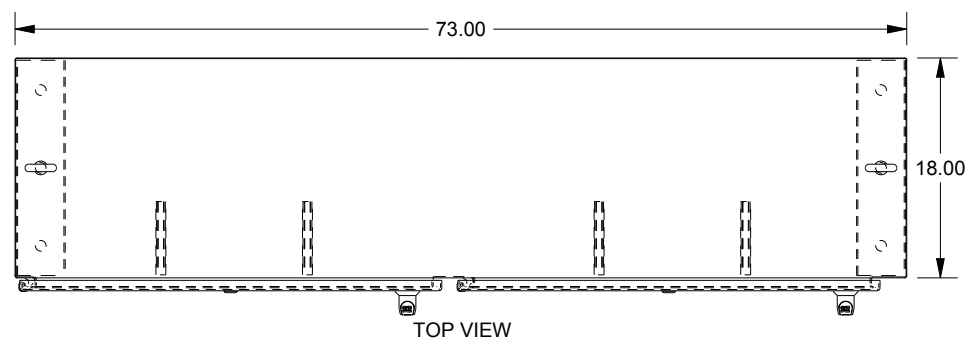
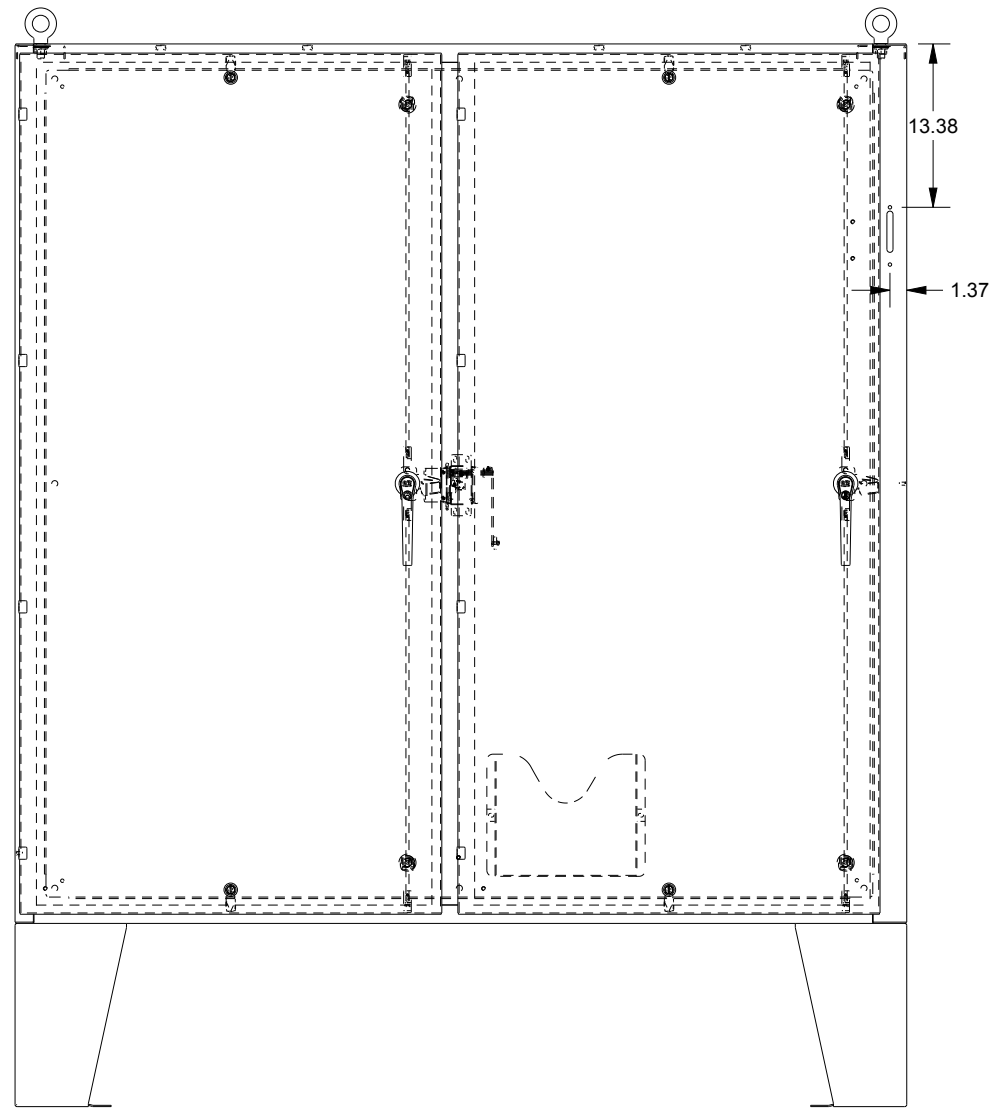


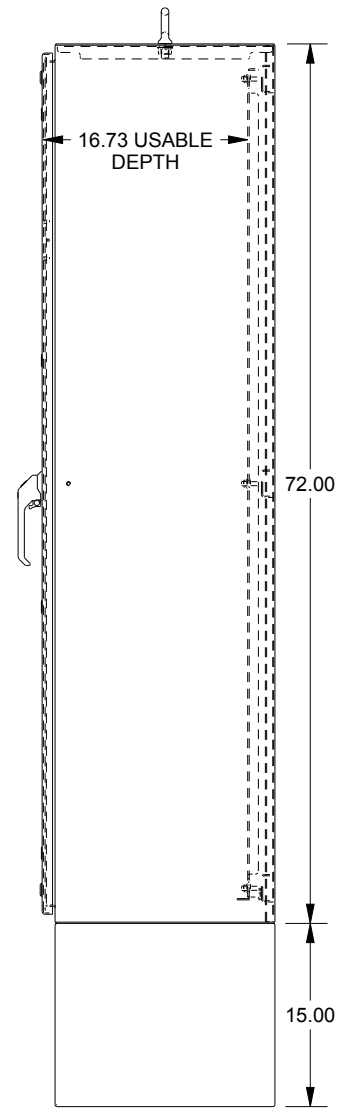
# SAGINAW CONTROL & ENGINEERING SCE-72XEL7318SS6LP



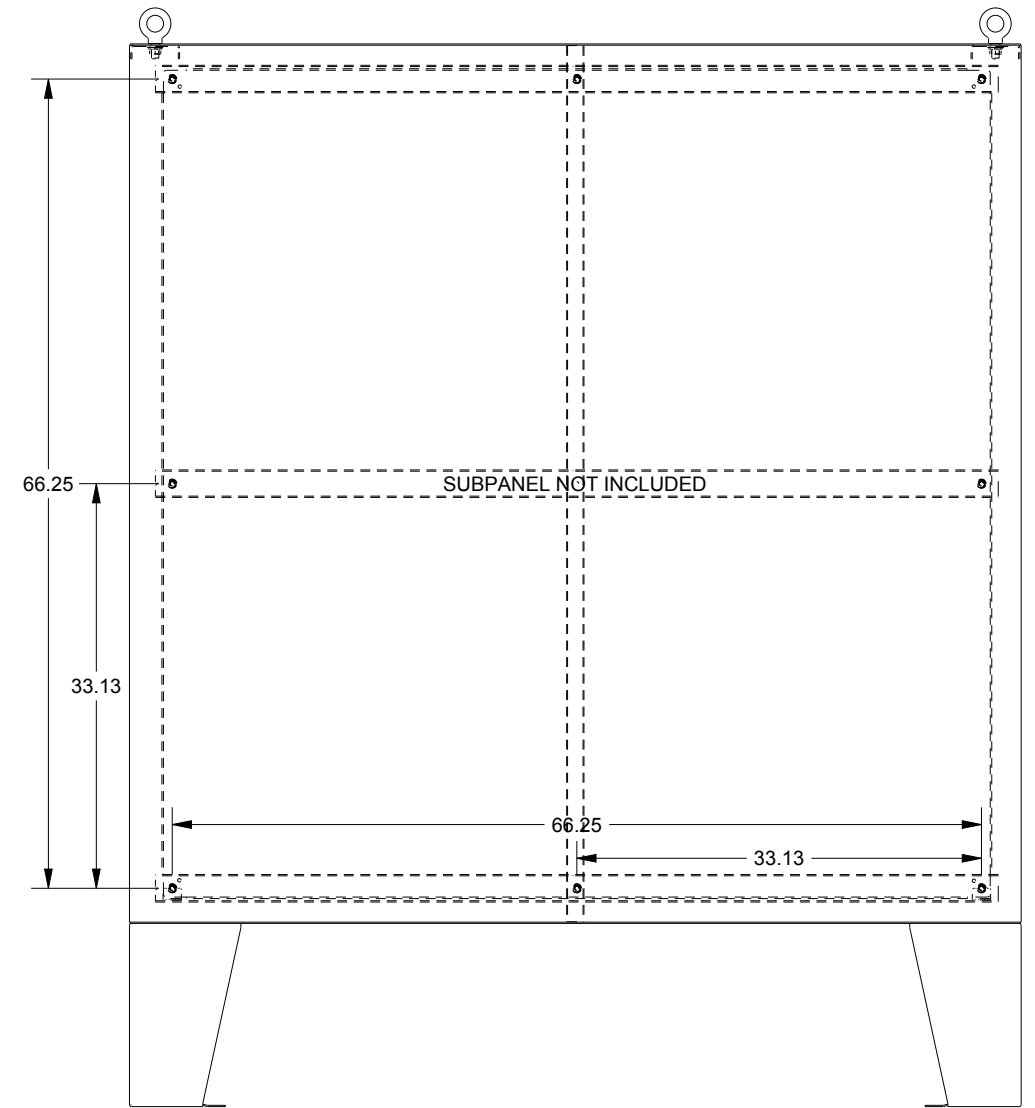
LEFT SIDE VIEW



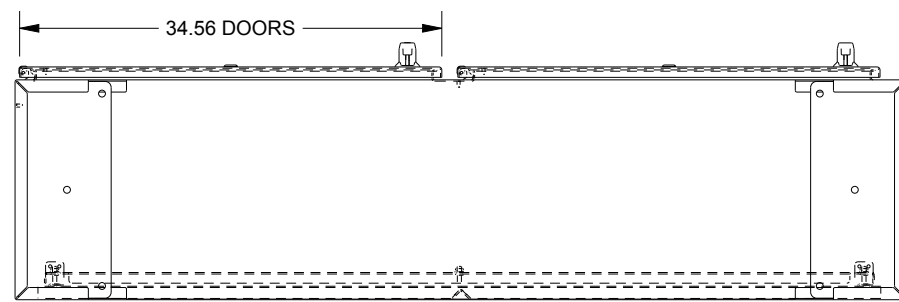
FRONT VIEW



RIGHT SIDE VIEW



EXTERNAL REAR VIEW



BOTTOM VIEW