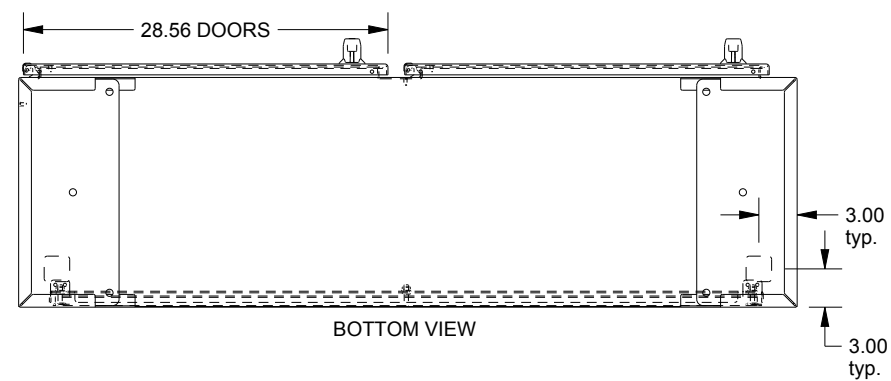
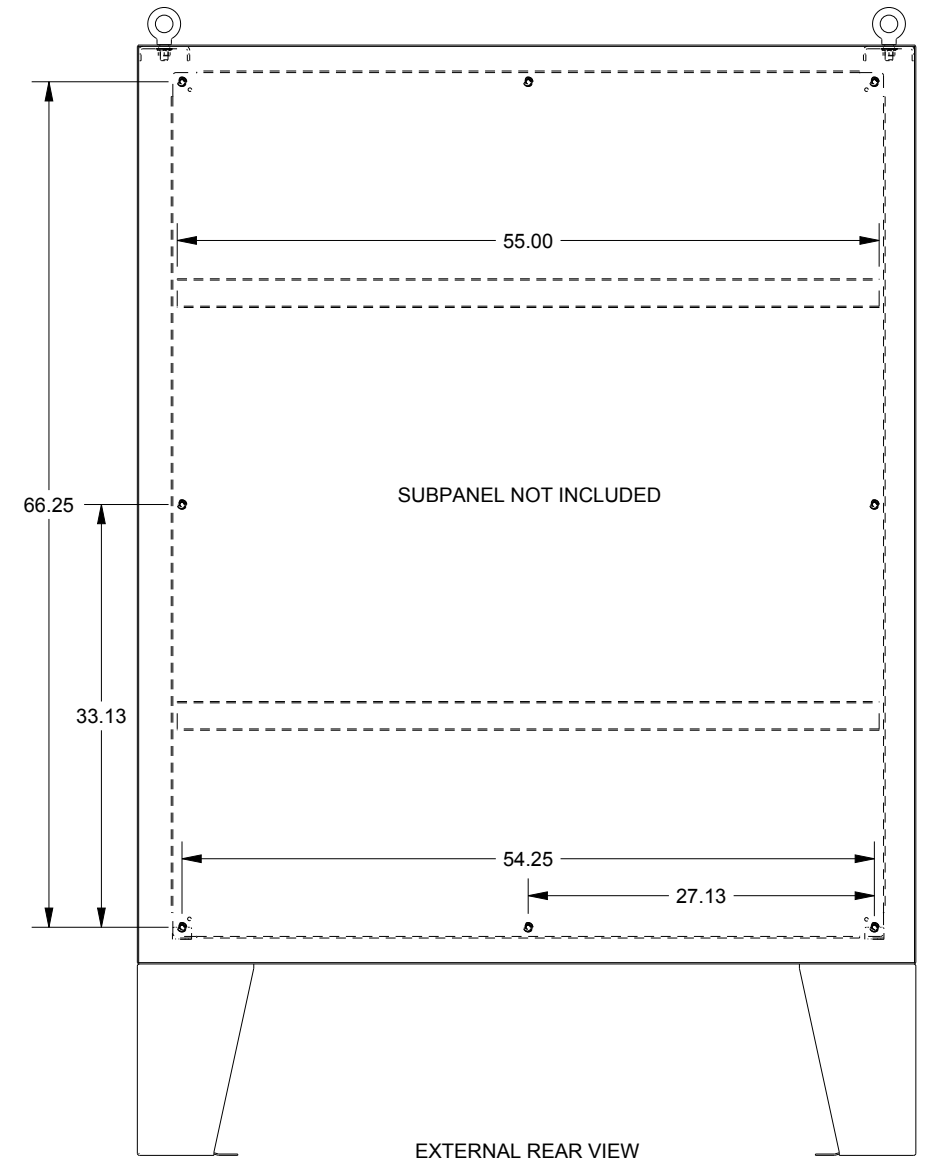
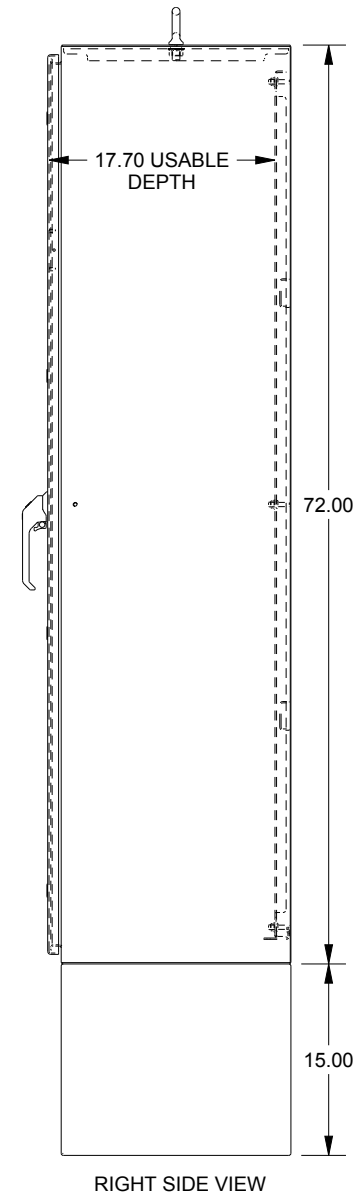
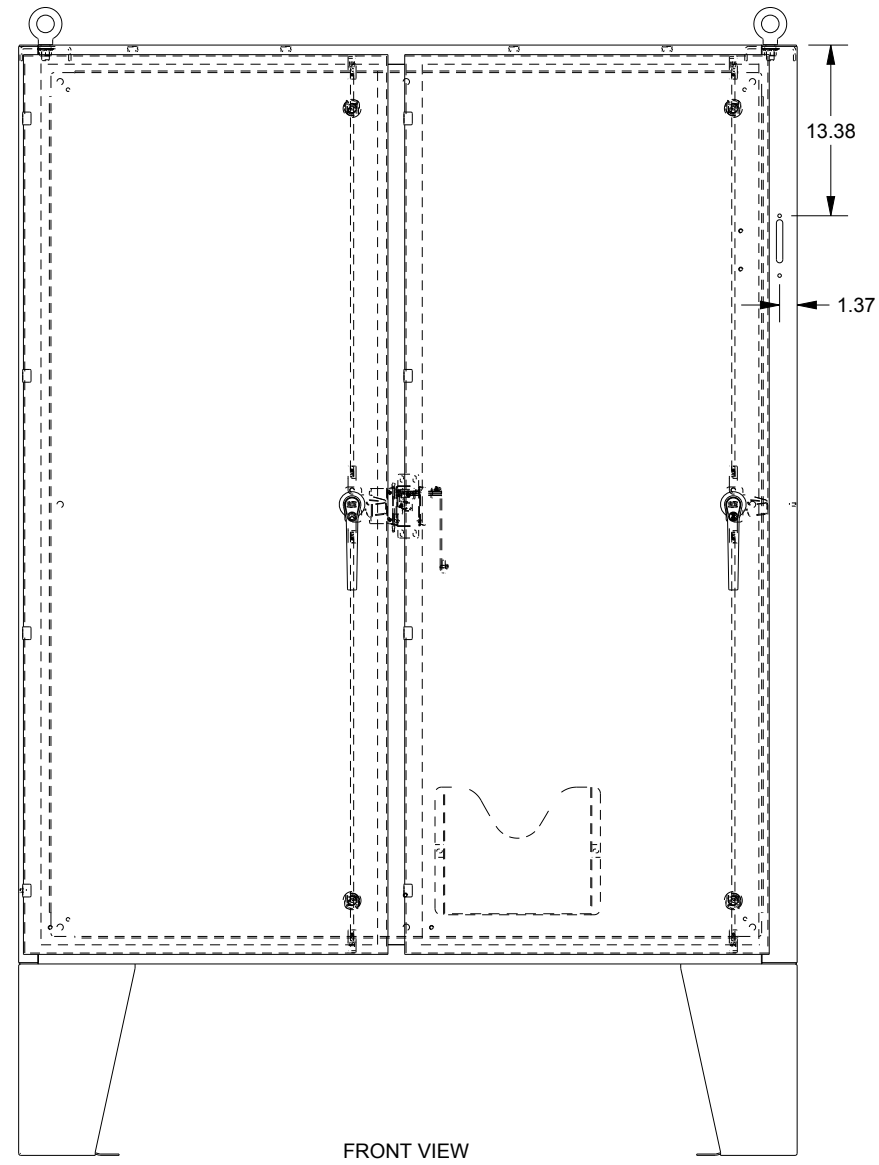
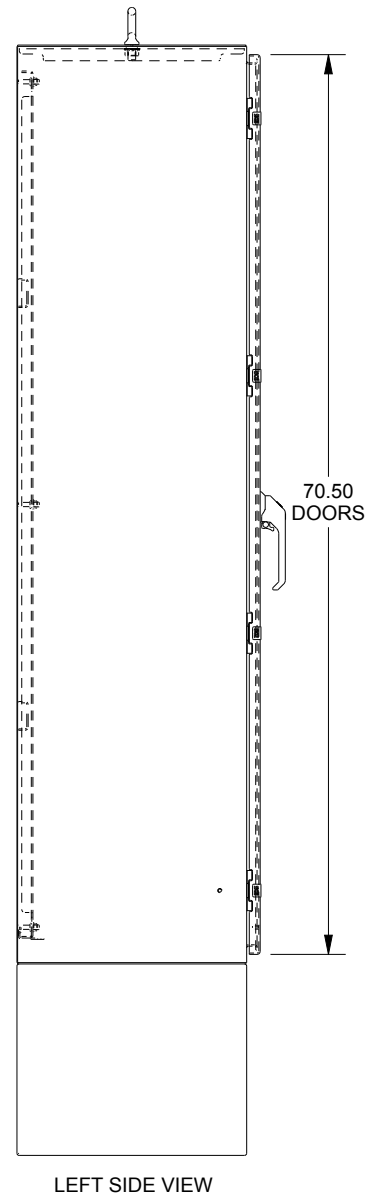
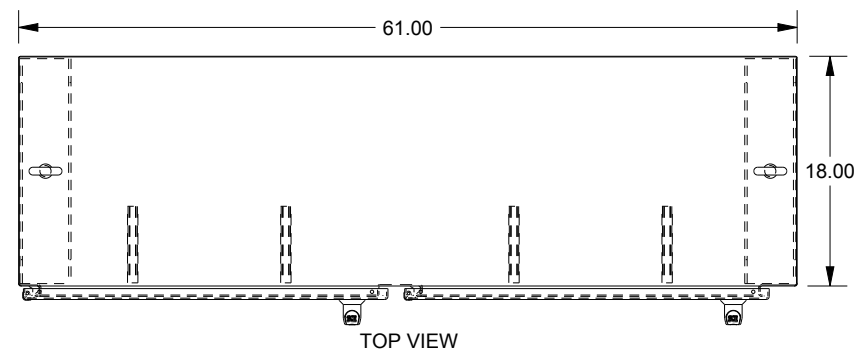


# SAGINAW CONTROL & ENGINEERING SCE-72XEL6118LP



WASH SYSTEM 2" SQUARE DRAIN HOLES IN THE  
BOTTOM WITH UL APPROVED HOLE SEALS PROVIDED